

Service
Service
Service

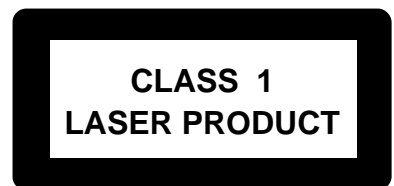


Service Manual



TABLE OF CONTENTS

	Page
Location of pc boards & Version variations	1-2
Technical Specifications	1-3
Measurement setup	1-4
Service Aids, Safety Instruction, etc.	1-5
Disassembly Instructions & Service positions	2
Service Test Programs	3
Set Block diagram	4-1
Set Wiring diagram	4-2
Front Control Board	5
Front Display Board	6
ECO6 Tuner Board : Systems Non-Cenelec	7A
ETF7 ND Tape Module	9
3CDC-LLC-DA11 Module	10
P2002 110/135W Module	11
AF9 Board	12
Set Mechanical Exploded view & parts list	13



© Copyright 2002 Philips Consumer Electronics B.V. Eindhoven, The Netherlands
All rights reserved. No part of this publication may be reproduced, stored in a retrieval system or transmitted, in any form or by any means, electronic, mechanical, photocopying, or otherwise without the prior permission of Philips.

Published by BB 0201 Service Audio Printed in The Netherlands Subject to modification



3139 785 30016

Version 1.0



PHILIPS

SPECIFICATIONS**GENERAL:**

Mains voltage : 110-127V/220-240V Switchable for /21/21M
 120V for /37
 220V for /33
 220-230V for /22/34
 230-240V for /30

Mains frequency : 50/60Hz

Power consumption : < 1W at ECO Power Standby
 : 25W at Standby (DEMO mode off)
 : 175W at Active

Clock accuracy : < 4 seconds per day

Dimension centre unit : 265 x 310 x 390mm

TUNER:**FM**

Tuning range : 87.5-108MHz
 65.81-74MHz for /34 ¹⁾

Grid : 50kHz (& 30kHz for /34)
 100kHz for /37

IF frequency : 10.7MHz \pm 25kHz

Aerial input : 75 Ω coaxial
 300 Ω click fit for /37

Sensitivity at 26dB S/N : < 7 μ V

Selectivity at 600kHz bandwidth : > 25dB

Image rejection : > 25dB

Distortion at RF=1mV, dev. 75kHz : < 3%

-3dB Limiting point : < 8 μ V

Crosstalk at RF=1mV, dev. 40kHz : > 18dB

MW

Tuning range : 531-1602kHz
 530-1700kHz for /21/21M/37

Grid : 9kHz
 10kHz for /21/21M/37

IF frequency : 450kHz \pm 1kHz

Aerial input : Frame aerial

Sensitivity at 26dB S/N : < 4.0mV/M

Selectivity at 18kHz bandwidth : > 18dB

IF rejection : > 45dB

Image rejection : > 28dB

Distortion at RF=50mV, m=80% : < 5%

LW

Tuning range : 153-279kHz /22

Grid : 3kHz

IF frequency : 450kHz \pm 1kHz

Aerial input : Frame aerial

Sensitivity at 26dB S/N : [< 6.0mV/M]

Selectivity at 18kHz bandwidth : [> 24dB]

IF rejection : [> 45dB]

Image rejection : [> 30dB]

Distortion at RF=50mV, m=80% : [< 5%]

AMPLIFIER:

Output power (6 Ω , 1kHz, 10% THD)
 L & R : 2 x 140W RMS /21/21M

Output power (6 Ω , 60Hz-12.5kHz, 10% THD)
 L & R : 2 x 110W FTC /37

Frequency response within -3dB : 50Hz-20kHz

Incredible Surround : ON/OFF

WOOX : Level 1, 2, 3 & OFF

Digital Sound Control (DSC) : Digital, Rock, Pop,
 Newage, Classic, Electric

Virtual Ambience Control (VAC) : Hall, Concert, Cinema,
 Disco, Arcade, Cyber

Input sensitivity

Aux in : 500mV \pm 3dB at 1kHz
 CDR in : 1V \pm 3dB at 1kHz

Output sensitivity

Line out (Left/Right) : 450mV \pm 2dB at 22k Ω
 Digital out : IEC 958, 44.1kHz
 Headphone output at 32 Ω : 700mV \pm 1dB

CASSETTE RECORDER:

Number of track : 2 x 2 stereo

Tape speed : 4.76 cm/sec \pm 2%

Wow and flutter : < 0.4% DIN

Fast-wind/Rewind time C60 : 130 sec

Bias system : 78kHz \pm 10kHz

Rec/Pb frequency response within 8dB: 80Hz - 10kHz

Signal to Noise Ratio (Type I) : > 48dBA

COMPACT DISC:

Measurement done at output conn. of the CDC module.

Frequency response : < \pm 1.5dB for 20Hz-20kHz

Output Voltage (in Vrms) : 500mV \pm 1dB unloaded

Signal to Noise Ratio (A-weighted) : > 80dBA

Distortion at 1kHz : < 0.02%

Channel Unbalance : < \pm 1dB

Channel Separation (1kHz) : >60dB

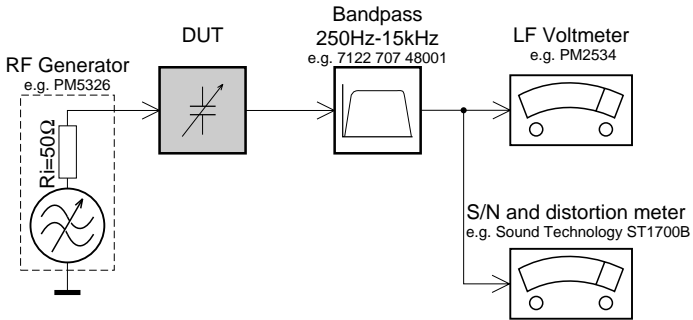
De-emphasis : 0 or 15/50 mS (Switched by subcode
 on the disc)

[...] Values indicated are for "ECO6 Cenelec Board" only.

¹⁾ Default setting is OFF, to switch on please refer page 3-4.

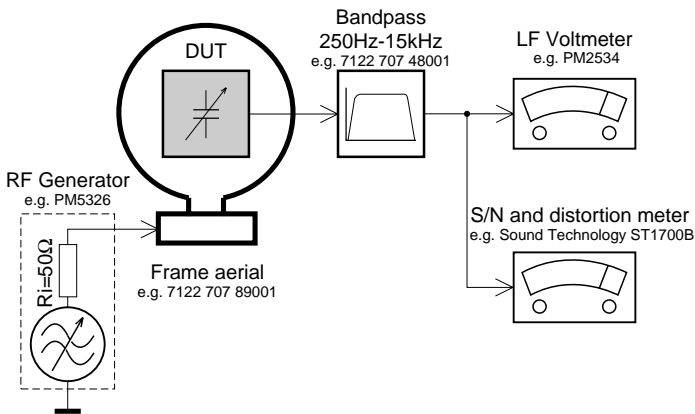
MEASUREMENT SETUP

Tuner FM



Use a bandpass filter to eliminate hum (50Hz, 100Hz) and disturbance from the pilotone (19kHz, 38kHz).

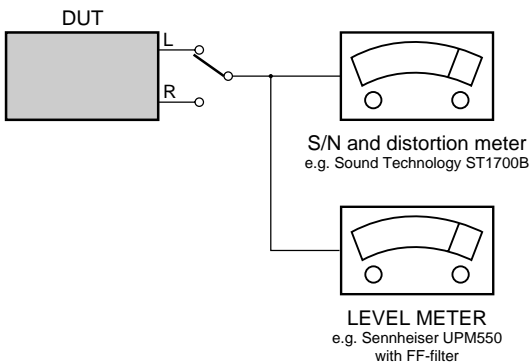
Tuner AM (MW,LW)



To avoid atmospheric interference all AM-measurements have to be carried out in a Faraday's cage.
Use a bandpass filter (or at least a high pass filter with 250Hz) to eliminate hum (50Hz, 100Hz).

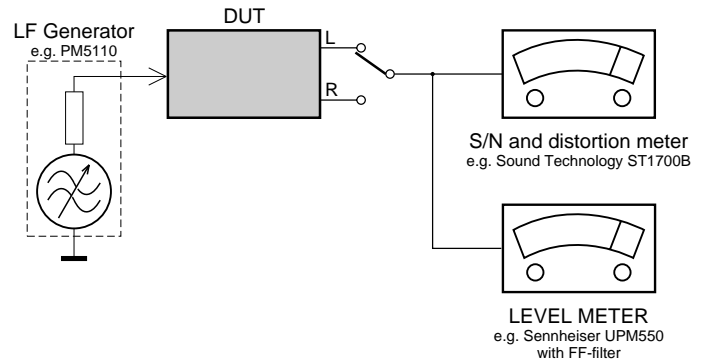
CD

Use Audio Signal Disc SBC429 4822 397 30184
(replaces test disc 3)



Recorder

Use Universal Test Cassette **CrO2** SBC419 4822 397 30069
or Universal Test Cassette **Fe** SBC420 4822 397 30071



SERVICE AIDS

Service Tools:

Universal Torx driver holder	4822 395 91019
Torx bit T10 150mm	4822 395 50456
Torx driver set T6 - T20	4822 395 50145
Torx driver T10 extended	4822 395 50423

Cassette:

SBC419 Test cassette CrO2	4822 397 30069
SBC420 Test cassette Fe	4822 397 30071
MTT150 Dolby level 200nWb/M	4822 397 30271

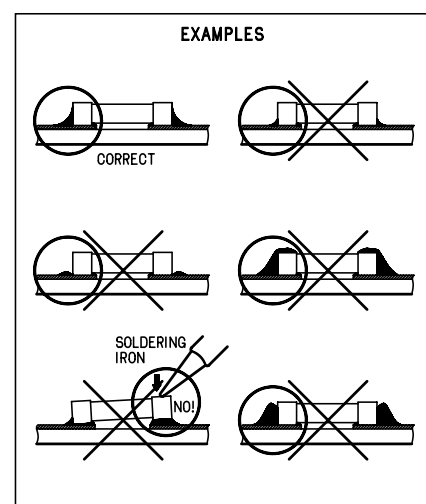
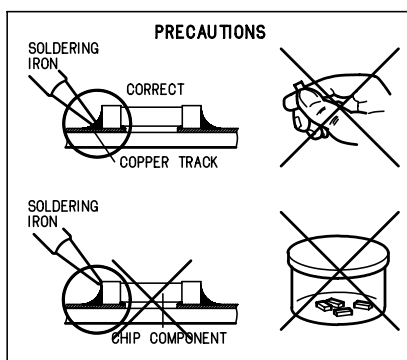
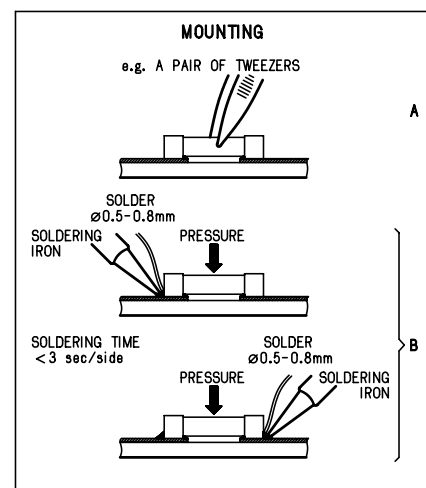
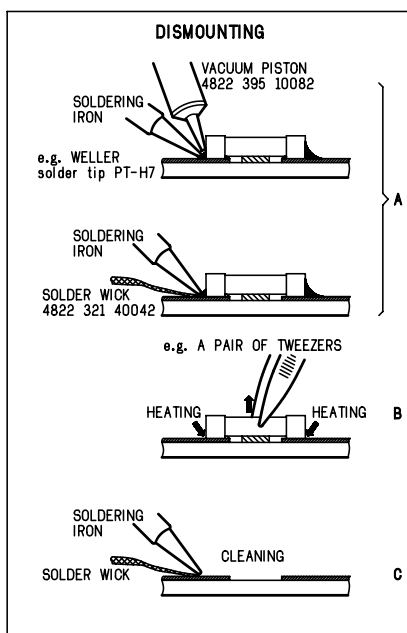
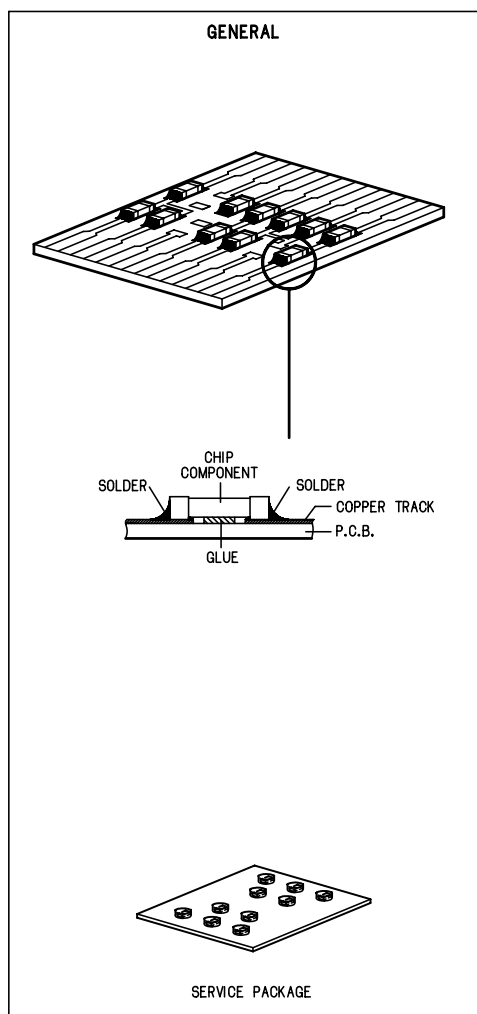
Compact Disc:

SBC426/426A Test disc 5 + 5A	4822 397 30096
SBC442 Audio Burn-in Test disc 1kHz	4822 397 30155
SBC429 Audio Signals disc	4822 397 30184
Dolby Pro-logic Test Disc	4822 395 10216

ESD Equipment:

Anti-static table mat - large 1200x650x1.25mm ...	4822 466 10953
Anti-static table mat - small 600x650x1.25mm	4822 466 10958
Anti-static wristband	4822 395 10223
Connector box (1M Ω)	4822 320 11307
Extension cable (to connect wristband to conn. box)	4822 320 11305
Connecting cable (to connect table mat to conn. box)	4822 320 11306
Earth cable (to connect product to mat or box)	4822 320 11308
Complete kit ESD3 (combining all above products)	4822 320 10671
Wristband tester	4822 344 13999

HANDLING CHIP COMPONENTS



(GB) WARNING

All ICs and many other semi-conductors are susceptible to electrostatic discharges (ESD). Careless handling during repair can reduce life drastically.

When repairing, make sure that you are connected with the same potential as the mass of the set via a wrist wrap with resistance. Keep components and tools also at this potential.

(F) ATTENTION

Tous les IC et beaucoup d'autres semi-conducteurs sont sensibles aux décharges statiques (ESD).

Leur longévité pourrait être considérablement écourtée par le fait qu'aucune précaution n'est prise à leur manipulation.

Lors de réparations, s'assurer de bien être relié au même potentiel que la masse de l'appareil et enfiler le bracelet serti d'une résistance de sécurité.

Veiller à ce que les composants ainsi que les outils que l'on utilise soient également à ce potentiel.

(GB)

Safety regulations require that the set be restored to its original condition and that parts which are identical with those specified, be used.

(NL)

Veiligheidsbepalingen vereisen, dat het apparaat bij reparatie in zijn oorspronkelijke toestand wordt teruggebracht en dat onderdelen, identiek aan de gespecificeerde, worden toegepast.

(F)

Les normes de sécurité exigent que l'appareil soit remis à l'état d'origine et que soient utilisées les pièces de rechange identiques à celles spécifiées.

(D)

Bei jeder Reparatur sind die geltenden Sicherheitsvorschriften zu beachten. Der Originalzustand des Geräts darf nicht verändert werden; für Reparaturen sind Original-Ersatzteile zu verwenden.

(I)

Le norme di sicurezza esigono che l'apparecchio venga rimesso nelle condizioni originali e che siano utilizzati i pezzi di ricambio identici a quelli specificati.

"After servicing and before returning set to customer perform a leakage current measurement test from all exposed metal parts to earth ground to assure no shock hazard exist. The leakage current must not exceed 0.5mA."

ESD**(D) WARNUNG**

Alle ICs und viele andere Halbleiter sind empfindlich gegenüber elektrostatistischen Entladungen (ESD).

Unvorsichtige Behandlung im Reparaturfall kann die Lebensdauer drastisch reduzieren.

Veranlassen Sie, dass Sie im Reparaturfall über ein Pulsarmband mit Widerstand verbunden sind mit dem gleichen Potential wie die Masse des Gerätes.

Bauteile und Hilfsmittel auch auf dieses gleiche Potential halten.

(NL) WAARSCHUWING

Alle IC's en vele andere halfgeleiders zijn gevoelig voor electrostatische ontladingen (ESD).

Onzorgvuldig behandelen tijdens reparatie kan de levensduur drastisch doen verminderen. Zorg ervoor dat u tijdens reparatie via een polsband met weerstand verbonden bent met hetzelfde potentiaal als de massa van het apparaat.

Houd componenten en hulpmiddelen ook op ditzelfde potentiaal.

(I) AVVERTIMENTO

Tutti IC e parecchi semi-conduttori sono sensibili alle scariche statiche (ESD).

La loro longevità potrebbe essere fortemente ridotta in caso di non osservazione della più grande cauzione alla loro manipolazione.

Durante le riparazioni occorre quindi essere collegato allo stesso potenziale che quello della massa dell'apparecchio tramite un braccialetto a resistenza.

Assicurarsi che i componenti e anche gli utensili con quali si lavora siano anche a questo potenziale.

"Pour votre sécurité, ces documents doivent être utilisés par des spécialistes agréés, seuls habilités à réparer votre appareil en panne".

**(GB) Warning !**

Invisible laser radiation when open.
Avoid direct exposure to beam.

(S) Varning !

Osynlig laserstrålning när apparaten är öppnad och spärren är urkopplad. Betrakta ej strålen.

(SF) Varoitus !

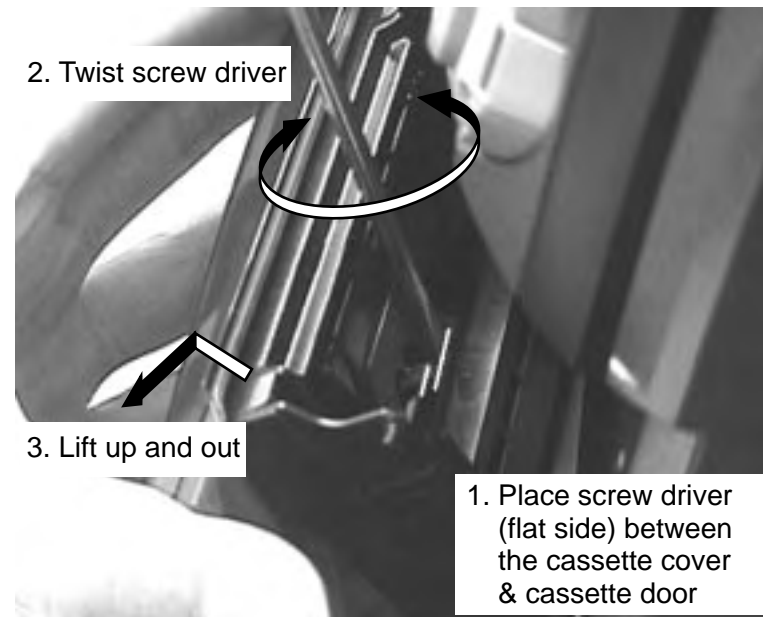
Avatussa laitteessa ja suojaletyksen ohitettaessa olet alltiina näkymättömälle laserisäteilylle. Älä katso säteeseen!

(DK) Advarse !

Usynlig laserstråling ved åbning når sikkerhedsafbrydere er ude af funktion. Undgå udsættelse for stråling.

DISMANTLING INSTRUCTIONS

Dismantling of the Cassette Cover



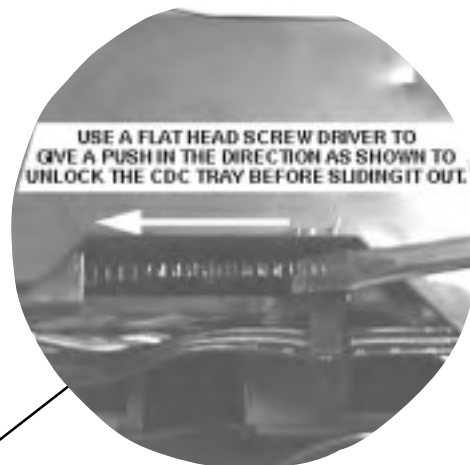
Remove Cassette Cover



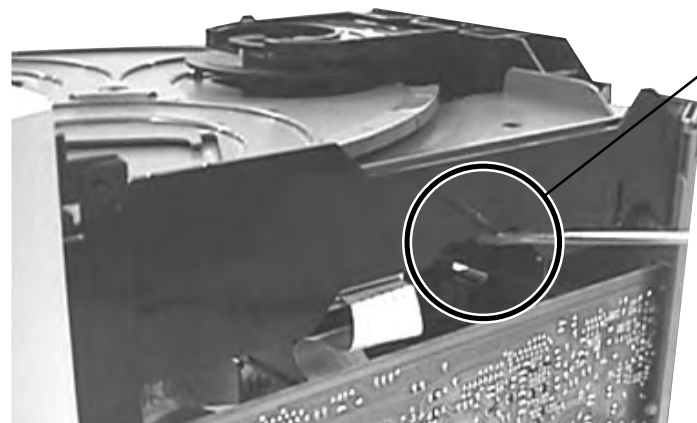
Cassette Cover

Dismantling of the CDC Module and Front Panel Assembly

- 1) Loosen 4 screws to remove the Cover Top (pos 255) of the set.
- 2) Loosen 3 screws to remove the Panel Left (pos 253) and 3 screws to remove the Panel Right (pos 254) of the set.
- 3) Slide out the CDC Tray as shown in the diagram below with the help of a flat head screw driver.



Sliding out the CDC Tray



Dismantling of the CDC Module and Front Panel Assembly

- 4) Remove the Cover Tray CDC (pos 106) as indicated.

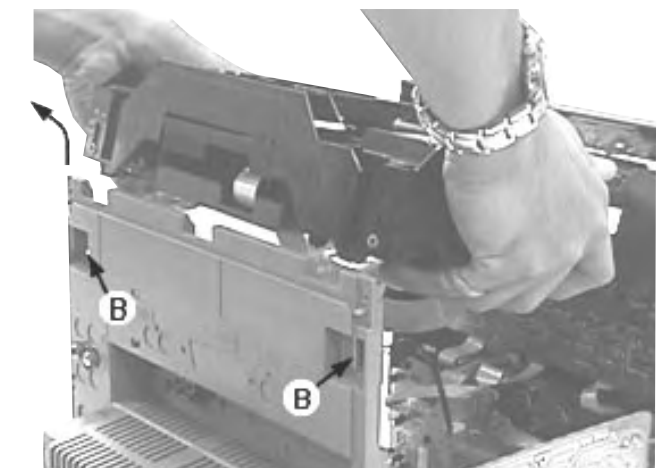


Remove Cover Tray CDC

- 5) Loosen 2 screws A and 2 screws B to remove the CDC Module (pos 1105) as indicated.
- 6) Remove 2 screws (pos 226) at the bottom to separate the Front Panel Assembly from the Plate Bottom (pos 265).



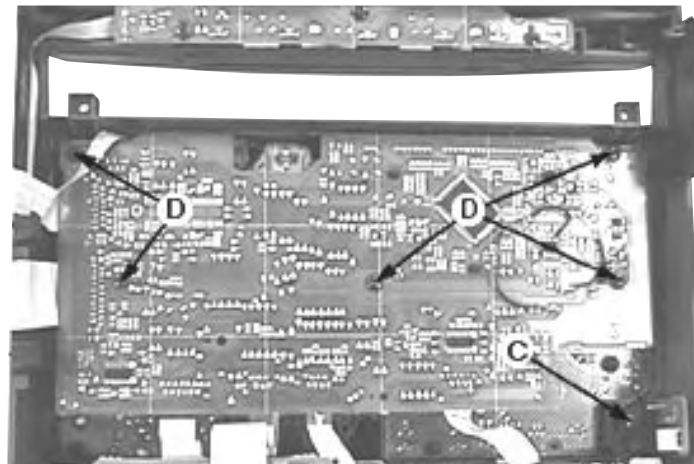
Front View CDC



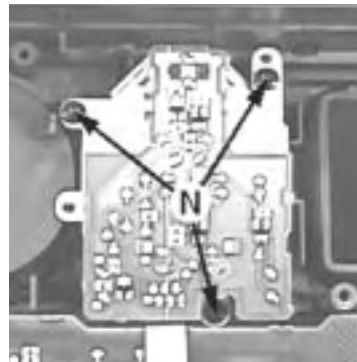
Remove CDC Module

Dismantling of the Front Display Board and Front Control Board

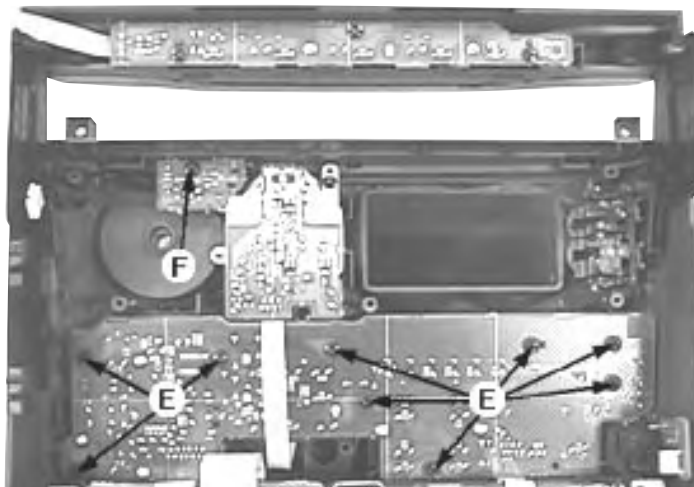
- 1) Remove 1 screw C as indicated to loosen the Headphone Board (pos 1101-B).
- 2) Remove 5 screws D as indicated to loosen the Front Display Board (pos 1101-A).
- 3) Remove 9 screws E as indicated to loosen the Front Control Board (pos 1107-A).
- 4) Remove 1 screw F as indicated to loosen the IR-Eye Board (pos 1107-D).
- 5) Remove 3 screws N as indicated to loosen the VU Meter Board (pos 1107-C).



Remove Front Display Board and Headphone Board



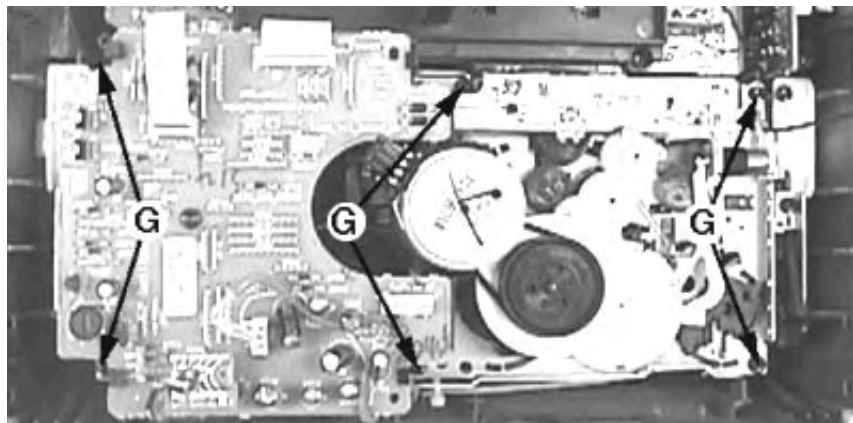
Remove VU Meter Board



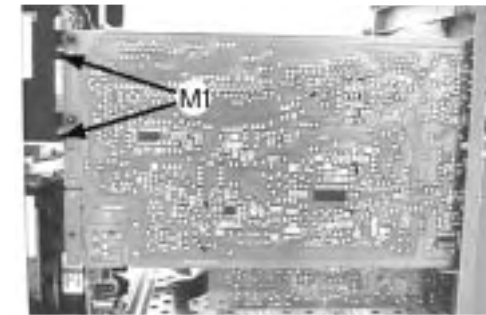
Remove Front Control Board and IR-Eye Board

Dismantling of the ETF Tape Module

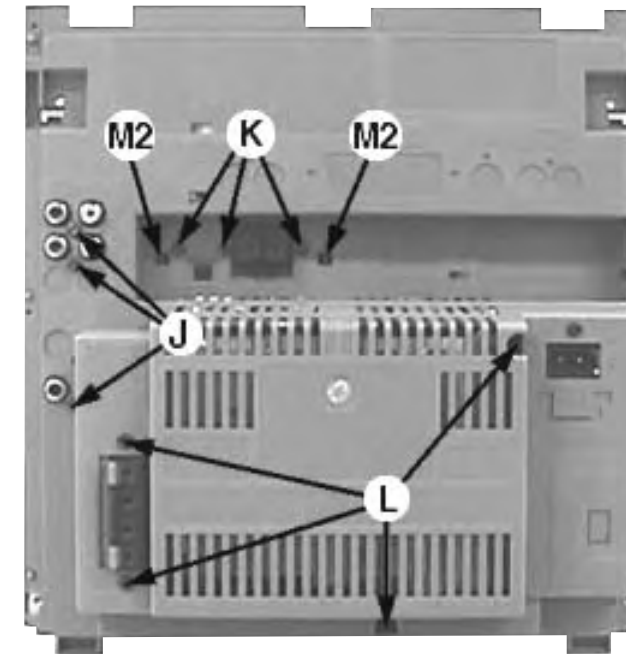
- 1) Remove 6 screws G as indicated to loosen the ETF Tape Module (pos 1104).

**Dismantling of the Rear Portion**

- 1) Remove 3 screws J and uncatch M1 as indicated to loosen the AF Board (pos 1102-A).
- 2) Remove 3 screws K and uncatch M2 as indicated to loosen the Tuner Board (pos 1103).
- 3) Remove 4 screws L as indicated to loosen the Panel Rear (pos 256).



Remove AF Board

**Repair Hints**

- 1) The Knob Volume Gloss Black (pos 117) can be removed by inserting a strong string into the slot and pulling it out in the direction as indicated. See picture 1.

Picture 1



- 2) The Knob Jog Rotary (pos 140) can be removed by inserting a strong string into the slot and pulling it out in the direction as indicated. See picture 2.

Picture 2



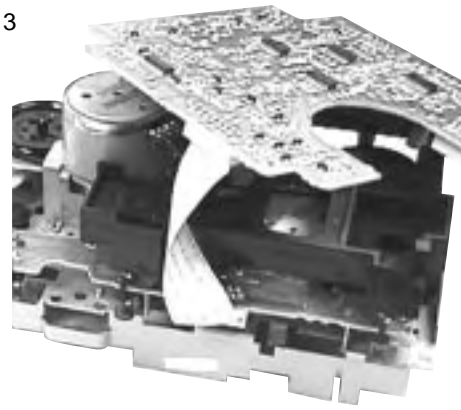
Repair Hints

3) During repair it is possible to disconnect the Tuner board and CDC Module completely unless the fault is suspected to be in that area. This will not affect the performance of the rest of the set.

4) Due to the short flex cable wires in the ETF Module, the pc board should be disconnected and reconnected on the reverse side of the tape mechanism to keep it electrically connected during repair. See picture 3.

Note: The flex cables are very fragile, care should be taken not to damage them during repair. After repair, be very sure that the flex cables are inserted properly into the flex sockets before encasing, otherwise faults may occur.

Picture 3



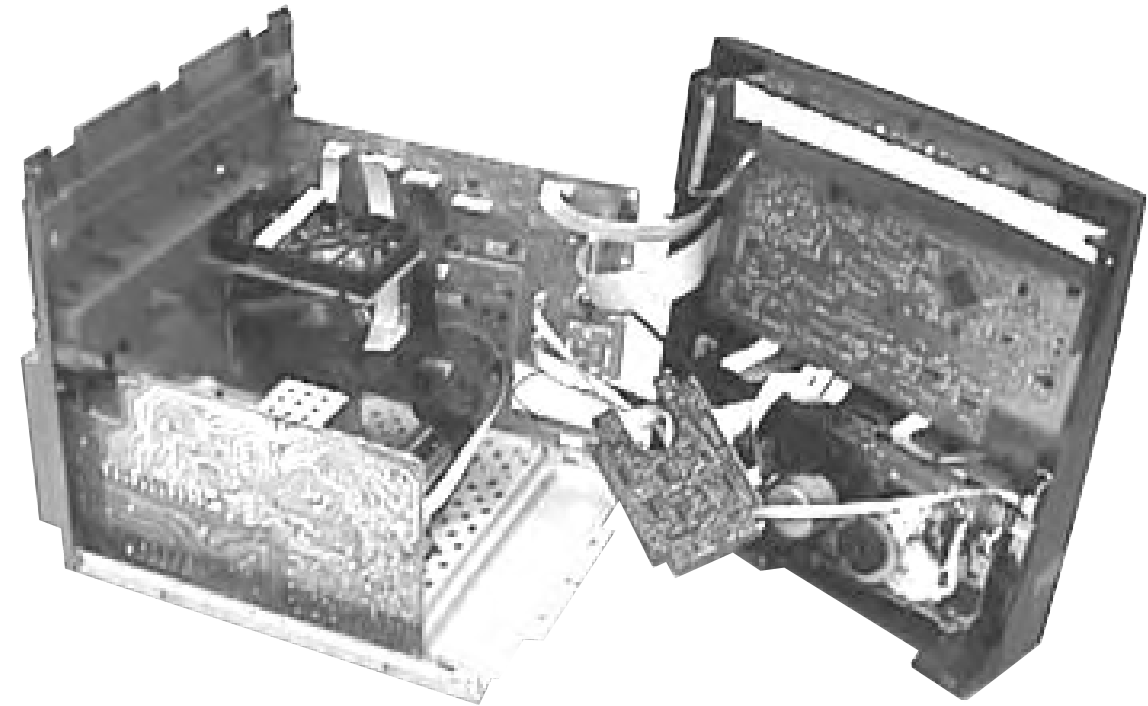
Service position A



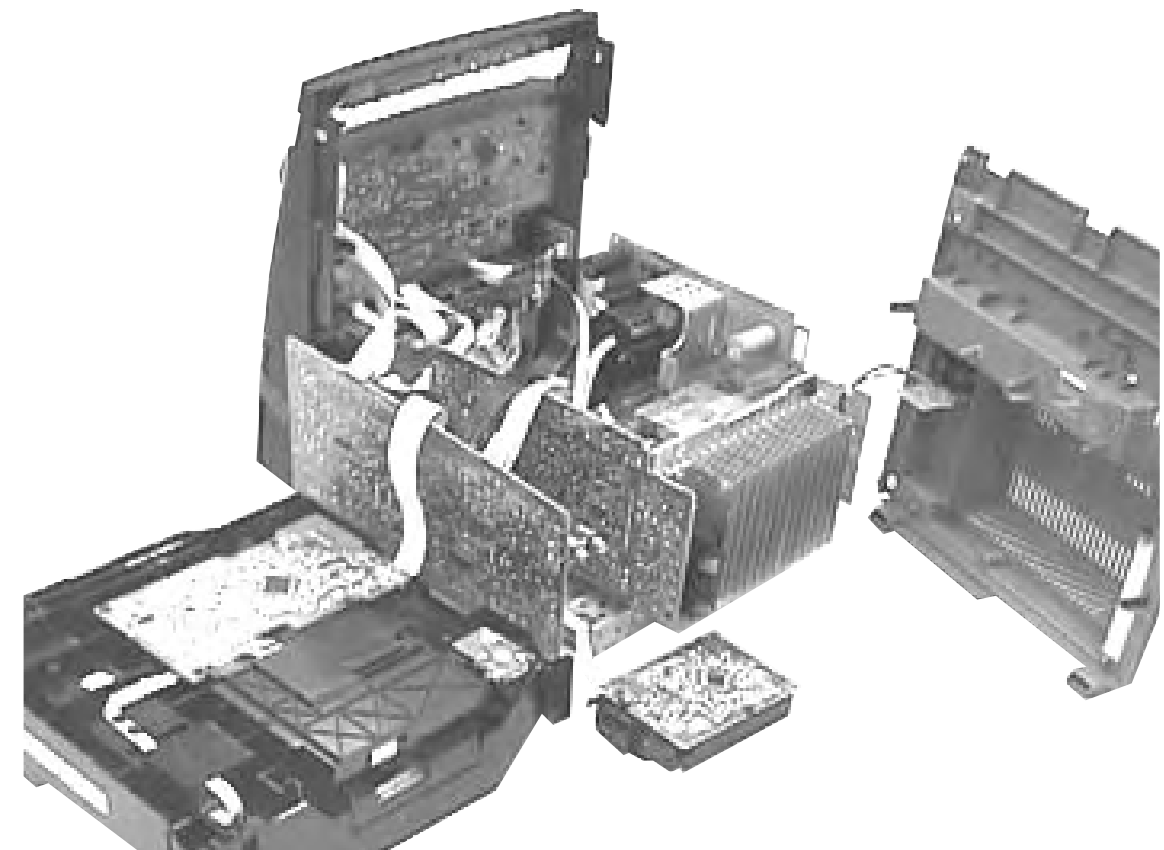
Service position B



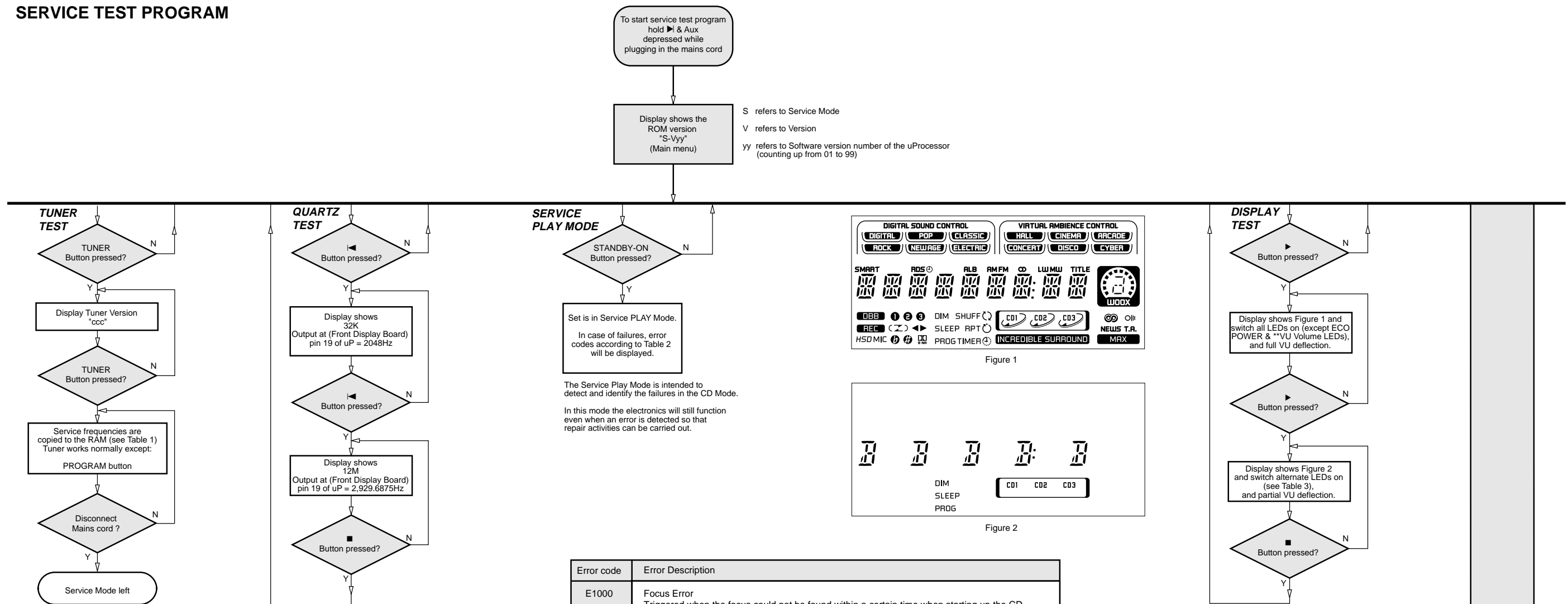
Service position C



Service position D



SERVICE TEST PROGRAM



PRESET	Europe "EUR"	East Eur. "EAS"	East Eur. Extended-band "EAS"	USA "USA"	Oversea "OSE"
1	87.5MHz	87.5MHz	65.81MHz	87.5MHz	87.5MHz
2	108MHz	108MHz	108MHz	108MHz	108MHz
3	531kHz	531kHz	74MHz	530kHz	531/530kHz*
4	1602kHz	1602kHz	87.5MHz	1700kHz	1602/1700kHz*
5	558kHz	558kHz	531kHz	560kHz	558/560kHz*
6	1494kHz	1494kHz	1602kHz	1500kHz	1494/1500kHz*
7	153kHz	87.5MHz	558kHz	98MHz	87.5/98MHz*
8	279kHz	87.5MHz	1494kHz	87.5MHz	87.5MHz
9	198kHz	87.5MHz	98MHz	87.5MHz	87.5MHz
10	98MHz	87.5MHz	70.01MHz	87.5MHz	87.5MHz
11	87.5MHz	98MHz	65.81MHz	87.5MHz	98/87.5MHz*

Table 1

Note: * Depending on the selected grid frequency (9 or 10kHz)
 By holding the TUNER and <TUNER> buttons depressed while switching on the Mains supply, one of the undermentioned features will be activated:
 - the tuning grid frequency is toggled between 9kHz and 10kHz for the Oversea (/21) version.
 - the extended FM1 (65.81MHz - 74MHz) is toggled on and off for East Eur. (/34) version.

Error code	Error Description
E1000	Focus Error Triggered when the focus could not be found within a certain time when starting up the CD or when the focus is lost for a certain time during play.
E1001	Radial Error Triggered when the radial servo is off-track for a certain time during play.
E1002	Sledge In Error The sledge did not reach its inner position (inner-switch is still close) before approximately 6 Sec. have passed by. Inner-switch or sledge motor problem.
E1003	Sledge Out Error The sledge did not come out of its inner position (inner-switch is still open) before approximately 250 mSec. have passed by. Inner-switch or sledge motor problem.
E1005	Jump-offtrack error Triggered in normal play when the jump destination could not be found within a certain time. When this error occurred, software will try to recover by initiating the jump command again. If it is recoverable, the disc will continue to play.
E1006	Subcode Error Triggered when a new subcode was missing for a certain time during play.
E1007	PLL Error The Phase Lock Loop could not lock within a certain time.
E1008	Turntable Motor Error Generated when the CD could not reached 75% of speed during startup within a certain time. Discmotor problem.
E1020	Focus Search Error The focus point has not been found within a certain time.
E1070	The carousel switch is not open within certain time. This can happen when either the switch is defective and closed all the time, or when the carousel is blocked when located exactly at a disc position.
E1071	The carousel position switch did not close within a certain time. This can happen when the switch is defective and never closes electrically, or when the carousel is blocked in between two disc positions. The time-out is approximately 5 Sec.
E1079	The drawer could not enter the inside position is opening again. This can be caused because the drawer is blocked by something and cannot go fully inside, or the drawer switch is defective and does not close.

Table 2

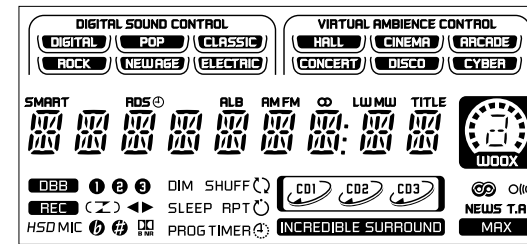


Figure 1

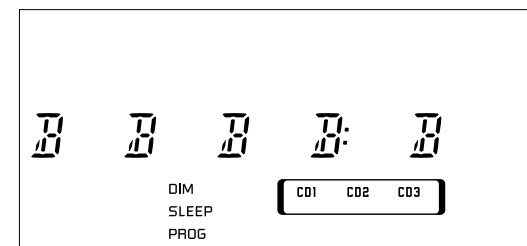


Figure 2

LEDs	FW-C500, FW-C550, FW-C555	FW-C700, FW-C720, FW-C780, FW-C785, FW-C788, FW-C798	FW-P750
DISC 1	On	On	On
DISC 3	On	On	On
TAPE	On	On	On
TUNER	On	On	On
CENTRE			On
SURROUND LEFT			On
STEREO RIGHT			On
VAC	On	On	On
DBB	On	On	On
VU BACK LIGHT	On	On	On
**VU VOLUME	On	On	On

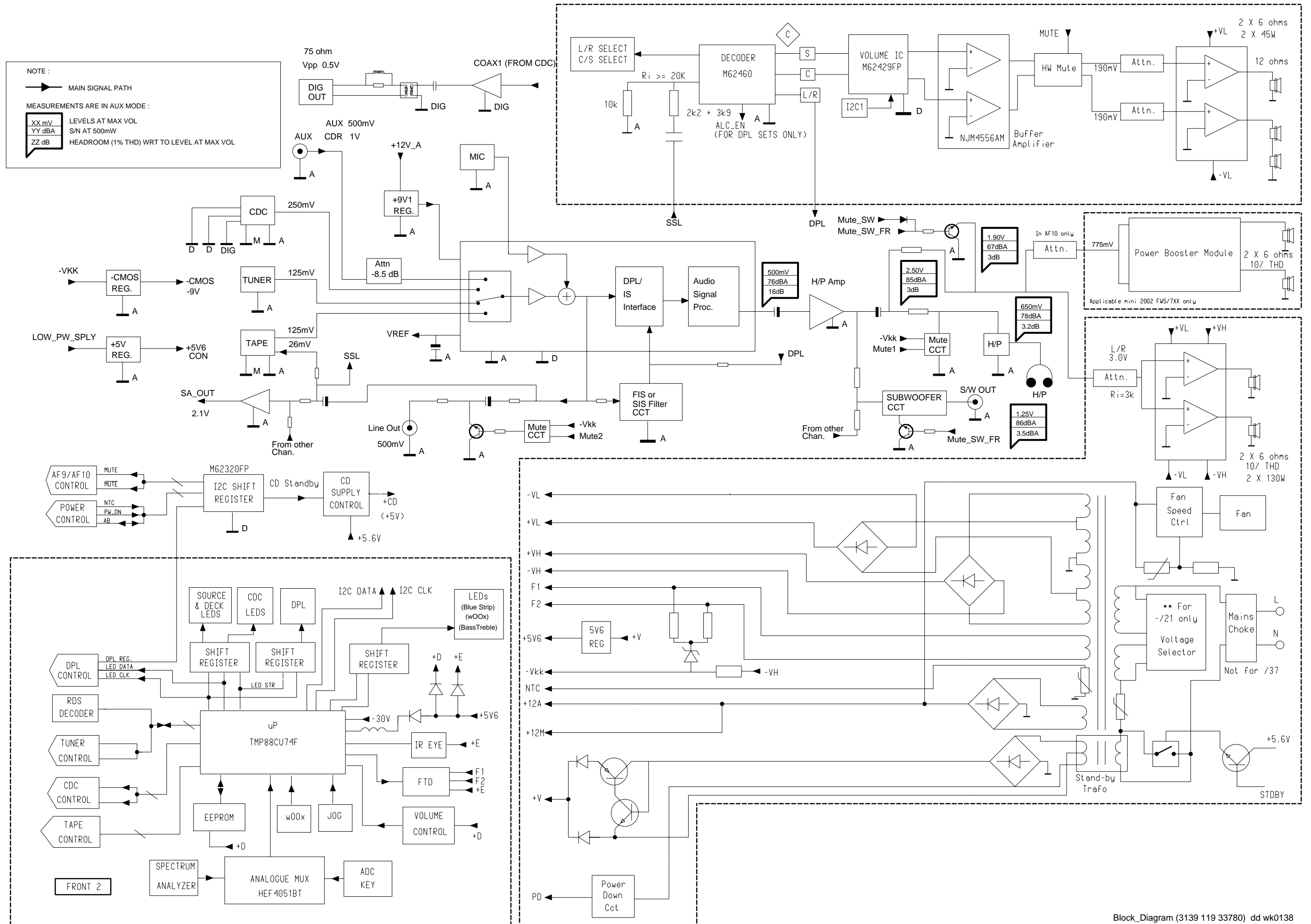
** Only applicable for set with VU Volume LED.

Table 3

TEST	Activated with	ACTION
EEPROM TEST	<<<<>>>> <TUNER> to Exit	A test pattern will be sent to the EEPROM. "PASS" is displayed if the uProcessor read back the test pattern correctly, otherwise "FAIL" will be displayed.
EEPROM FORMAT TEST	<<<<	Load default data. Display shows "NEW" for 1 second. Caution! All presets from the customer will be lost!!
DEMO TOGGLE	DSC	Pressing this button will toggle between DEMO ON and DEMO OFF. The DEMO status will scroll once across the Display.
ROTARY ENCODER TEST	Rotary Volume Knob or Jog Shuttle Knob	Display shows value for 2 seconds. Values increases or decreases in steps of 1 until 0 (Min.) or 40 (Max.) is reached.
LEAVE SERVICE TESTPROGRAM	Disconnect mains cord	

SET BLOCK DIAGRAM

NOTE :
 → MAIN SIGNAL PATH
 MEASUREMENTS ARE IN AUX MODE :
 XX mV LEVELS AT MAX VOL
 YY dBA S/N AT 500mW
 ZZ dB HEADROOM (1% THD) WRT TO LEVEL AT MAX VOL



REMARKS :

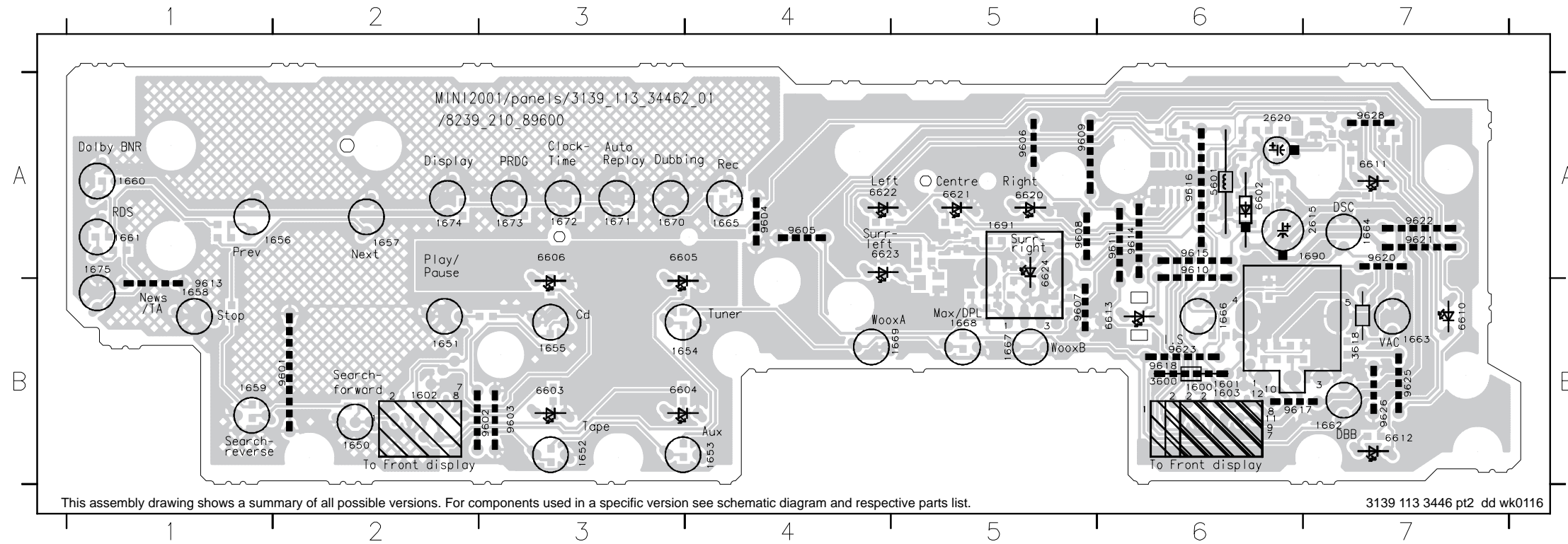
FRONT CONTROL BOARD

TABLE OF CONTENTS

Front Control Board - Component & Chip layout 5-2
Front Control Board - Circuit diagram 5-3
IR-Eye Part - Layout & Circuit diagram 5-3
Key-CDC Part - Layout & Circuit diagram 5-4
VU Meter Part - Layout & Circuit diagram 5-4
Karaoke Part - Layout & Circuit diagram 5-5
Electrical parts list 5-5

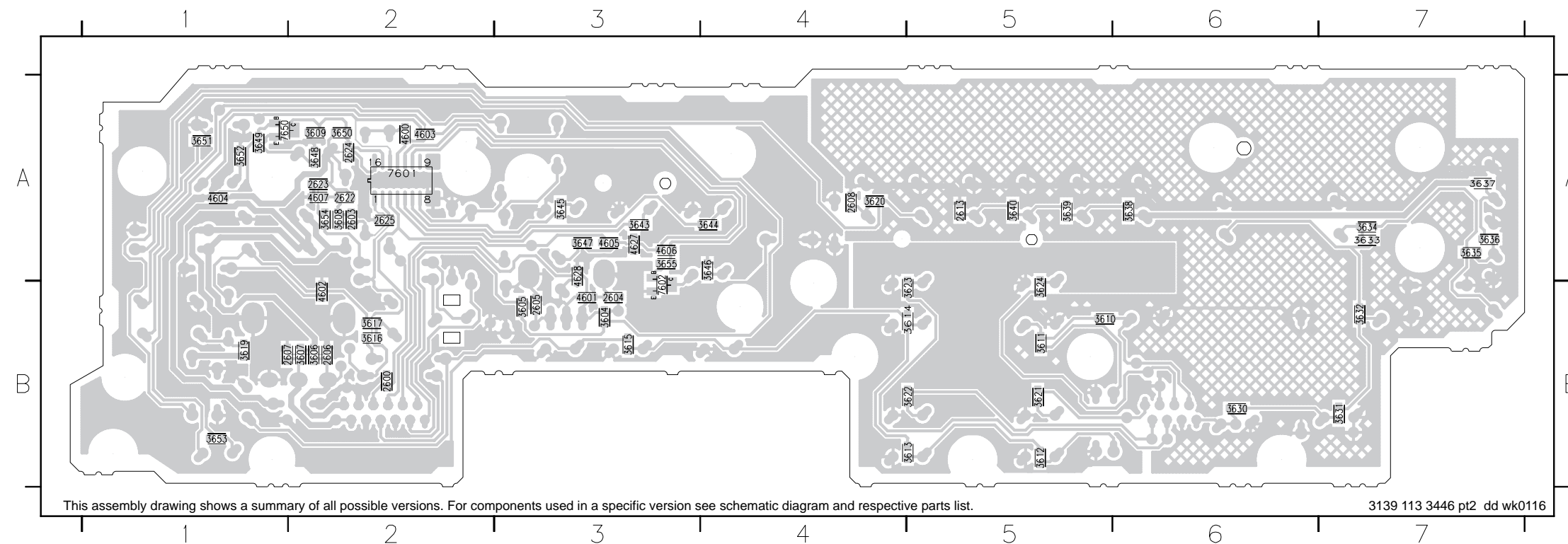
FRONT CONTROL BOARD - COMPONENT LAYOUT

1600 B6	1650 B2	1654 B3	1658 B1	1662 B7	1666 B6	1670 A3	1674 A2	2615 A7	5601 A6	6605 A3	6612 B7	6622 A4	9602 B3	9606 A5	9610 A6	9615 A6	9620 A7	9625 B7
1601 B6	1651 B2	1655 B3	1659 B1	1663 B7	1667 B5	1671 A3	1675 A1	2620 A6	6602 A6	6606 A3	6613 B6	6623 A4	9603 B3	9607 B5	9611 A6	9616 A6	9621 A7	9626 B7
1602 B2	1652 B3	1656 A2	1660 A1	1664 A7	1668 B5	1672 A3	1690 A7	3600 B6	6603 B3	6610 B7	6620 A5	6624 A5	9604 A4	9608 A5	9613 B1	9617 B6	9622 A7	9628 A7
1603 B6	1653 B4	1657 A2	1661 A1	1665 A4	1669 B5	1673 A3	1691 A5	3618 B7	6604 B3	6611 A7	6621 A5	9601 B2	9605 A4	9609 A5	9614 A6	9618 B6	9623 B6	



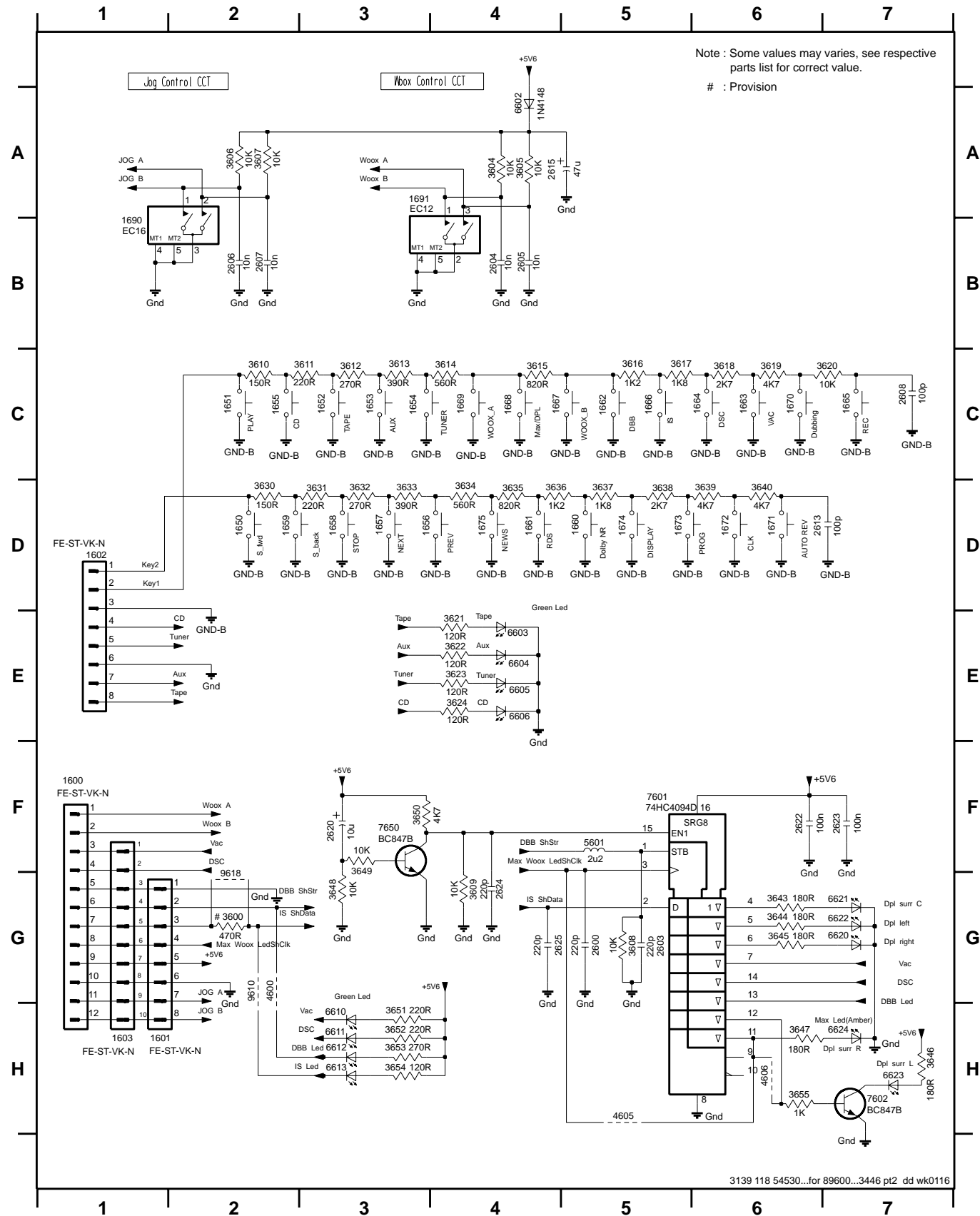
FRONT CONTROL BOARD - CHIP LAYOUT

2600 B2	2606 B2	2622 A2	3604 B3	3608 A2	3612 B5	3616 B2	3621 B5	3630 B6	3634 A7	3638 A6	3644 A4	3648 A2	3652 A1	4600 A2	4604 A1	4627 A3	7650 A1
2603 A2	2607 B1	2623 A2	3605 B3	3609 A2	3613 B5	3617 B2	3622 B5	3631 B7	3635 A7	3639 A5	3645 A3	3649 A1	3653 B1	4601 B3	4605 A3	4628 A3	
2604 B3	2608 A4	2624 A2	3606 B2	3610 B5	3614 B5	3619 B1	3623 B5	3632 B7	3636 A7	3640 A5	3646 A4	3650 A2	3654 A2	4602 B2	4606 A3	7601 A2	
2605 B3	2613 A5	2625 A2	3607 B2	3611 B5	3615 B3	3620 A4	3624 B5	3633 A7	3637 A7	3643 A3	3647 A3	3651 A1	3655 A3	4603 A2	4607 A2	7602 B3	



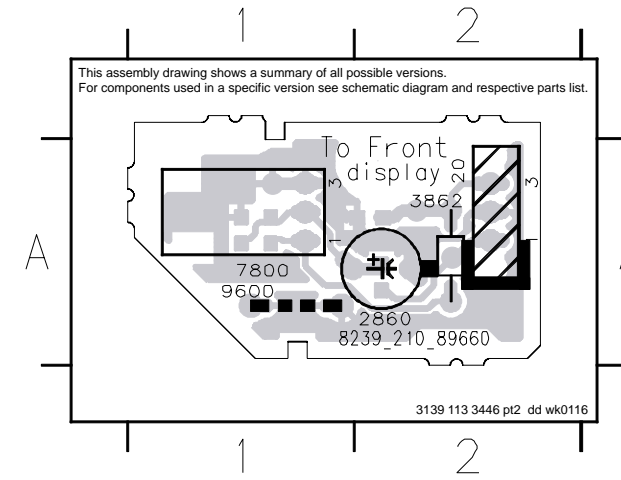
FRONT CONTROL BOARD - CIRCUIT DIAGRAM

1600 F1	1653 C3	1660 D5	1667 C4	1674 D5	2605 B4	2622 F6	3606 A2	3613 C3	3620 C7	3632 D3	3639 D6	3648 G3	3655 H6	6604 E4	6620 G7	7650 F3
1601 H2	1654 C3	1661 D4	1668 C4	1675 D4	2606 B2	2623 F7	3607 A2	3614 C4	3621 E4	3633 D3	3640 D6	3649 F3	4600 G2	6605 E4	6621 G7	9610 G2
1602 D1	1655 C2	1662 C5	1669 C4	1690 B1	2607 B2	2624 G4	3608 G5	3615 C4	3622 E4	3634 D4	3643 G6	3650 F3	4605 H5	6606 E4	6622 G7	9618 G2
1603 H1	1656 D3	1663 C6	1670 C6	1691 A3	2608 C7	2625 G4	3609 G4	3616 C5	3623 E4	3635 D4	3644 G6	3651 H3	4606 H6	6610 H3	6623 H7	
1650 D2	1657 D3	1664 C6	1671 D6	2600 G5	2613 D6	3600 G2	3610 C2	3617 C5	3624 E4	3636 D4	3645 G6	3652 H3	5601 F5	6611 H3	6624 H7	
1651 C2	1658 D3	1665 C7	1672 D6	2603 G5	3604 A4	3611 C3	3618 C6	3630 D2	3637 D5	3646 H7	3653 H3	6602 A4	6612 H3	7601 F5		
1652 C3	1659 D2	1666 C5	1673 D5	2604 B4	2620 F3	3605 A4	3612 C3	3619 C6	3631 D3	3638 D5	3647 H6	3654 H3	6603 E4	6613 H3	7602 H7	



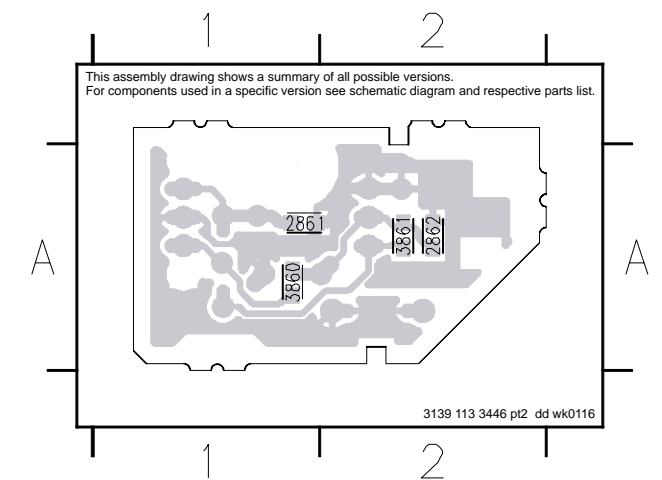
IR-EYE BOARD - COMPONENT LAYOUT

20 A2 3862 A2 9600 A1
2860 A2 7800 A1



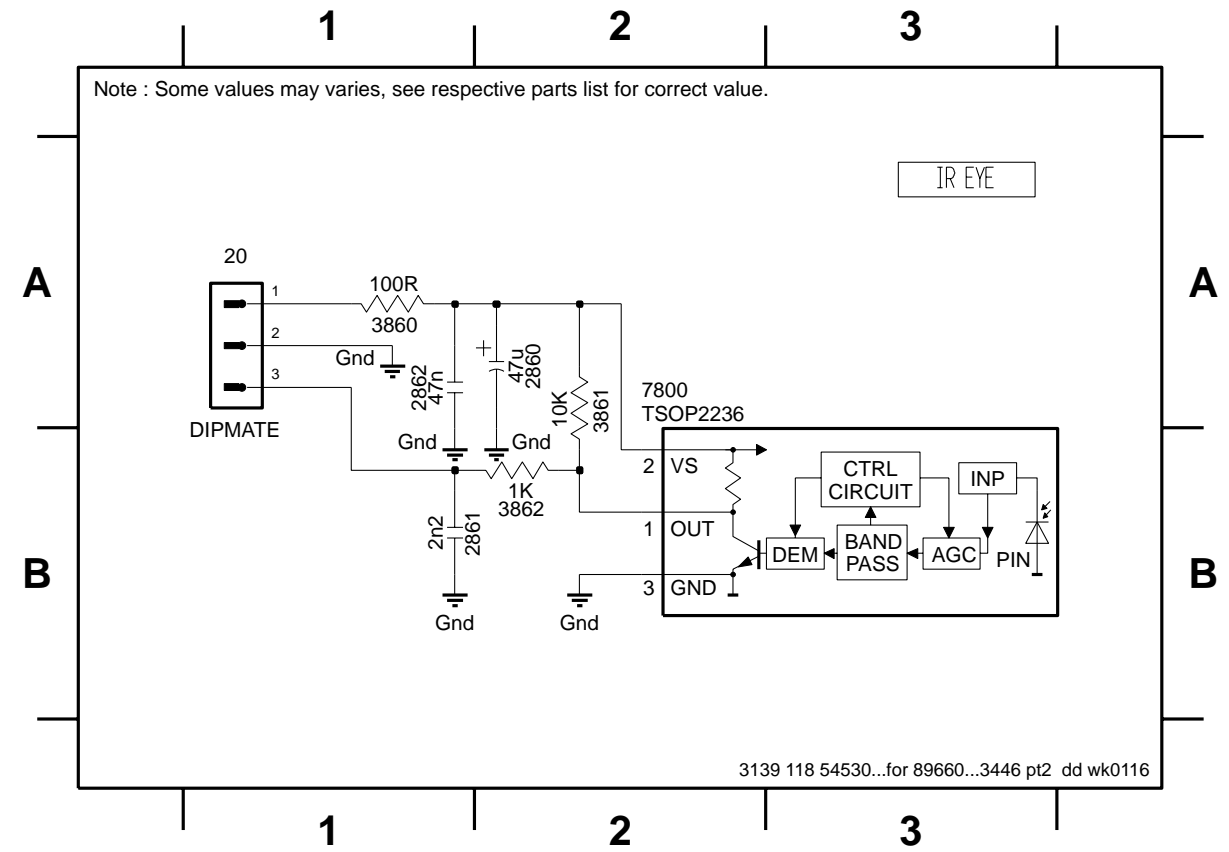
IR-EYE BOARD - CHIP LAYOUT

2861 A1 2862 A2 3860 A1 3861 A2



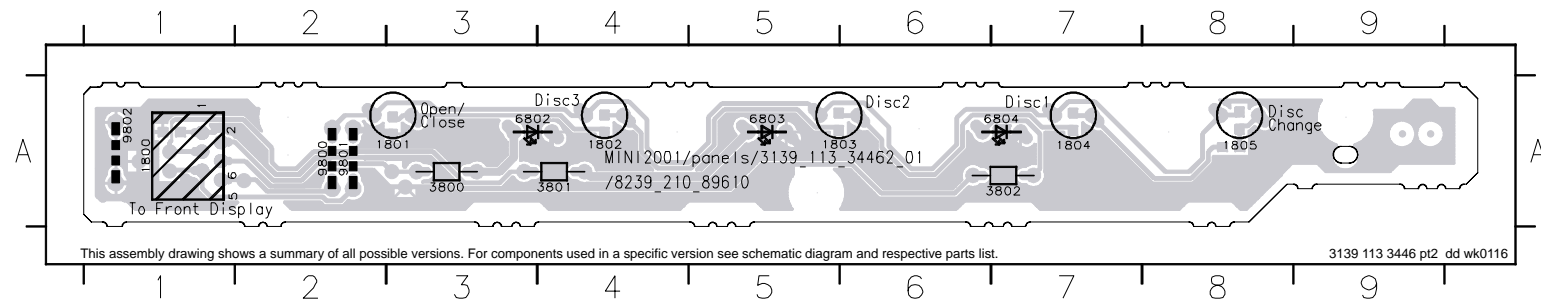
IR-EYE BOARD - CIRCUIT DIAGRAM

20 A1 2860 A2 2861 B1 2862 A1 3860 A1 3861 A2 3862 B2 7800 A2



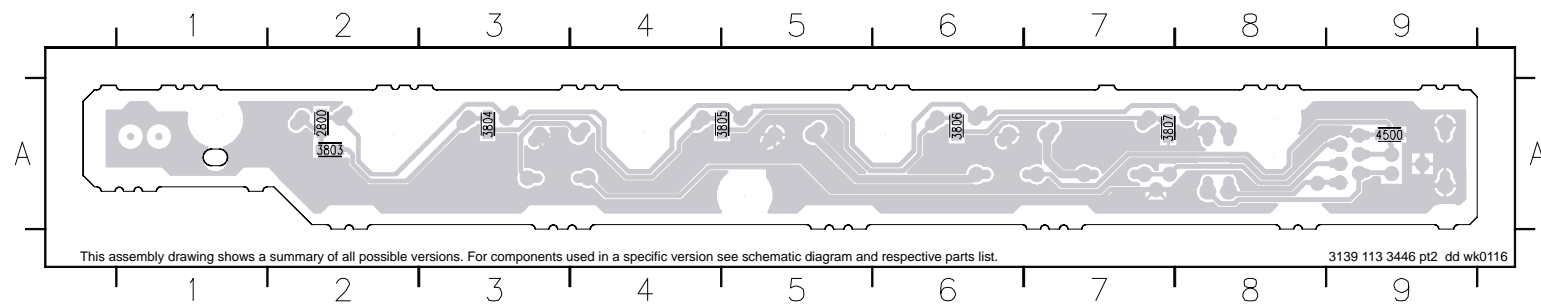
KEY-CDC BOARD - COMPONENT LAYOUT

1800 A1 1801 A3 1802 A4 1803 A5 1804 A7 1805 A8 3800 A3 3801 A4 3802 A7 6802 A3 6803 A5 6804 A7 9800 A2 9801 A2 9802 A1



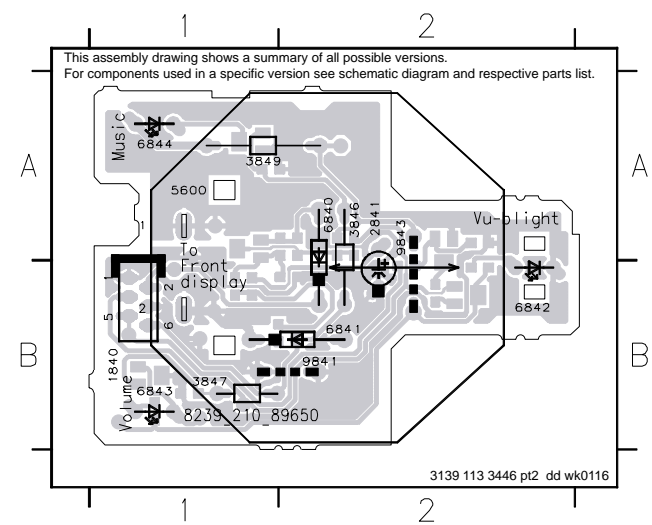
KEY-CDC BOARD - CHIP LAYOUT

2800 A2 3803 A2 3804 A3 3805 A5 3806 A6 3807 A7 4500 A9



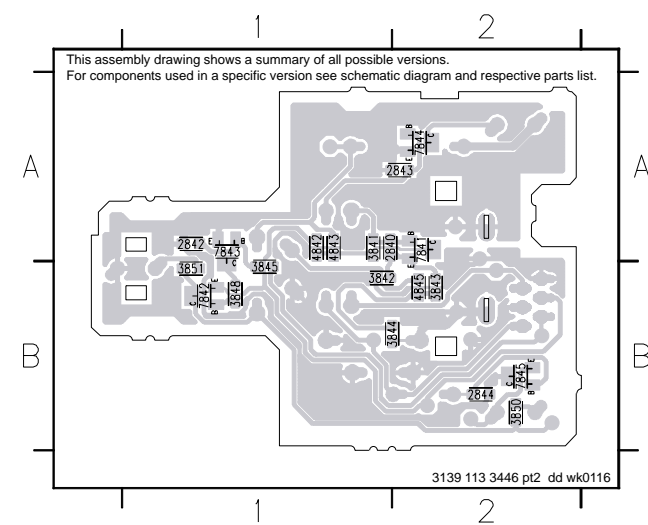
VU METER BOARD - COMPONENT LAYOUT

1840 B1 3846 A2 3849 A1 6840 A2 6842 B2 6844 A1 9843 A2
2841 A2 3847 B1 5600 A1 6841 B2 6843 B1 9841 B2



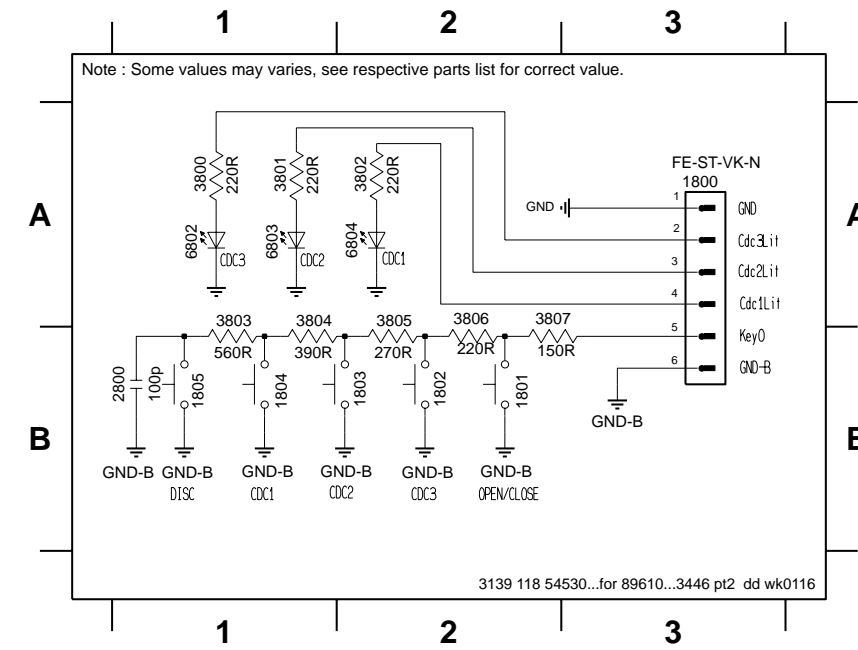
VU METER BOARD - CHIP LAYOUT

2840 A1 2844 B2 3843 B2 3848 B1 4842 A1 7841 A2 7844 A2
2842 A1 3841 A1 3844 B1 3850 B2 4843 A1 7842 B1 7845 B2
2843 A2 3842 B1 3845 B1 3851 B1 4845 B2 7843 A1



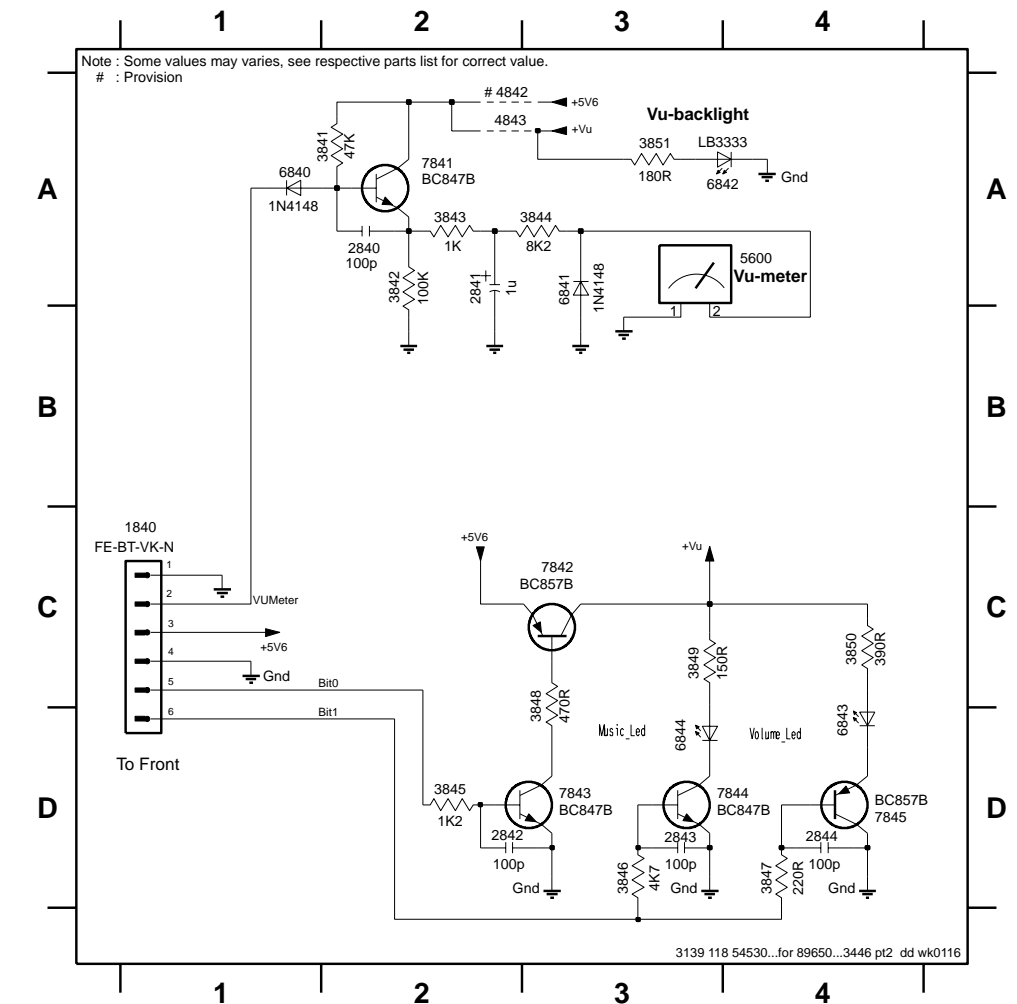
KEY-CDC BOARD - CIRCUIT DIAGRAM

1800 A3 1802 B2 1804 B1 2800 B1 3801 A1 3803 A1 3805 A2 3807 A2 6803 A1
1801 B2 1803 B2 1805 B1 3800 A1 3802 A2 3804 A1 3806 A2 6802 A1 6804 A2



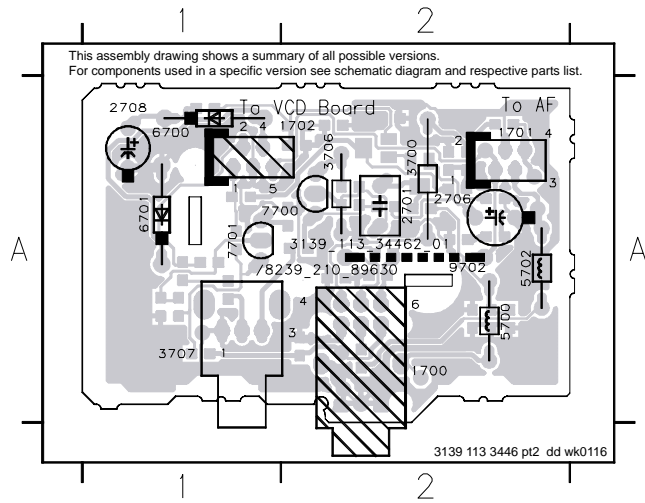
VU METER BOARD - CIRCUIT DIAGRAM

1840 C1 2842 D2 3841 A2 3844 A3 3847 D4 3850 C4 4843 A2 6841 A3 6844 D3 7843 D3
2840 A2 2843 D3 3842 A2 3845 D2 3848 C3 3851 A3 5600 A4 6842 A4 7841 A2 7844 D3
2841 A2 2844 D4 3843 A2 3846 D3 3849 C3 4842 A2 6840 A1 6843 D4 7842 C3 7845 D4



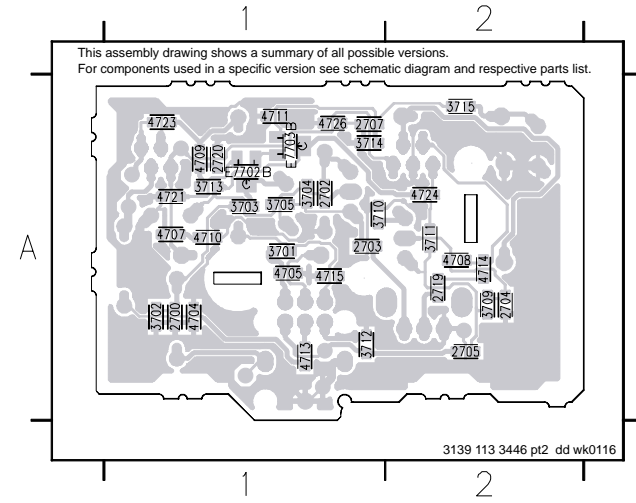
KARAOKE BOARD - COMPONENT LAYOUT

1700 A2 2701 A2 3700 A2 5700 A2 6701 A1 9702 A2
 1701 A2 2706 A2 3706 A2 5702 A2 7700 A1
 1702 A2 2708 A1 3707 A1 6700 A1 7701 A1



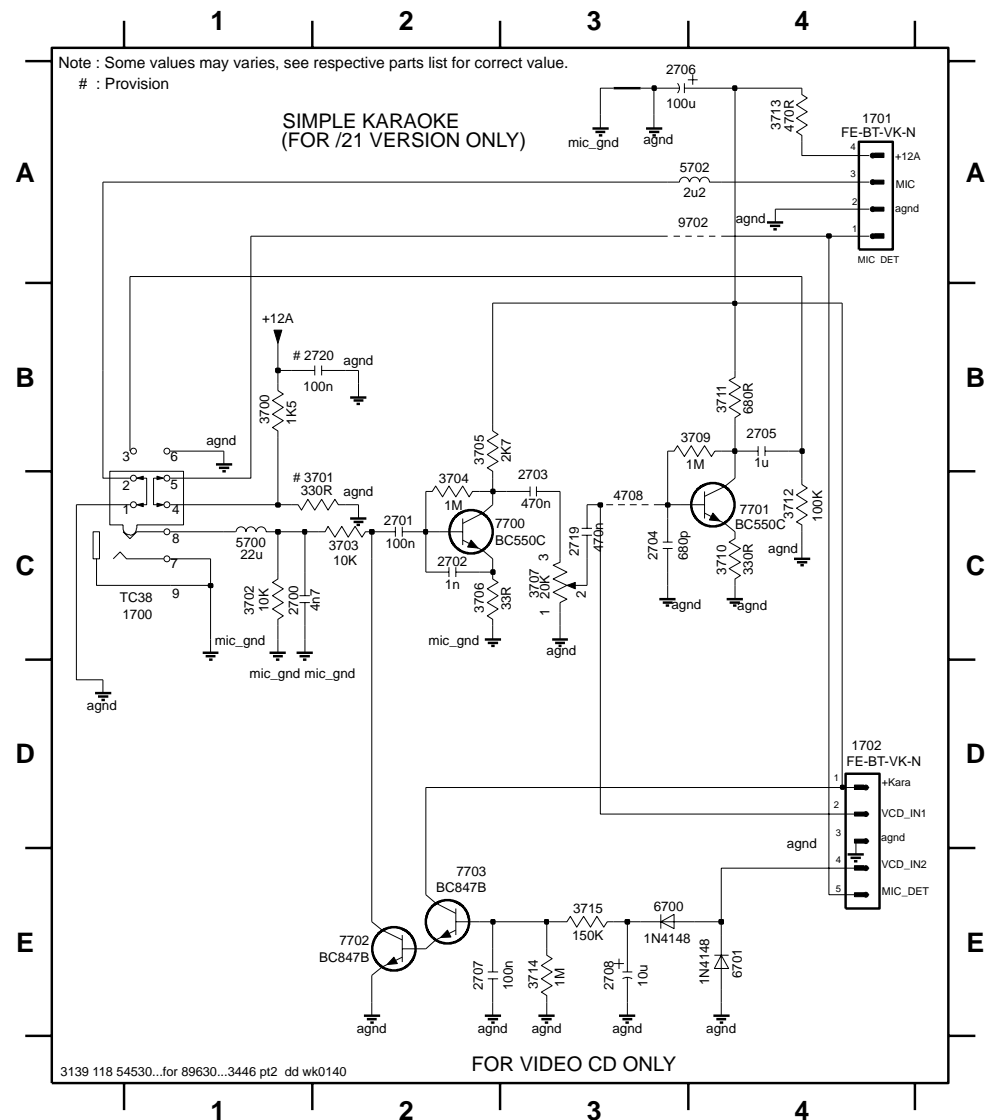
KARAOKE BOARD - CHIP LAYOUT

2700 A1 2719 A2 3705 A1 3714 A1 4709 A1 4721 A1
 2702 A1 2720 A1 3709 A2 3715 A2 4710 A1 4723 A1
 2703 A1 3701 A1 3710 A1 4704 A1 4711 A1 4724 A2
 2704 A2 3702 A1 3711 A2 4705 A1 4713 A1 4726 A1
 2705 A2 3703 A1 3712 A1 4707 A1 4714 A2 7702 A1
 2707 A1 3704 A1 3713 A1 4708 A2 4715 A1 7703 A1



KARAOKE BOARD - CIRCUIT DIAGRAM

1700 C1 2700 C1 2703 C3 2706 A3 2719 C3 3701 C2 3704 C2 3707 C3 3711 B4 3714 E3 5700 C1 6701 E4 7702 E2
 1701 A4 2701 C2 2704 C3 2707 E2 2720 B2 3702 C1 3705 B2 3709 B4 3712 C4 3715 E3 5702 A4 7700 C2 7703 E2
 1702 D4 2702 C2 2705 B4 2708 E3 3700 B1 3703 C2 3706 C2 3710 C4 3713 A4 4708 C3 6700 E3 7701 C4 9702 A4



ELECTRICAL PARTS LIST - FRONT CONTROL BOARD

MISCELLANEOUS

1600	4822 267 51453	Flex Connector 12P
1602	4822 265 11535	Flex Connector 8P
1650	4822 276 13775	Tact Switch
1651	4822 276 13775	Tact Switch
1652	4822 276 13775	Tact Switch
1653	4822 276 13775	Tact Switch
1654	4822 276 13775	Tact Switch
1655	4822 276 13775	Tact Switch
1656	4822 276 13775	Tact Switch
1657	4822 276 13775	Tact Switch
1658	4822 276 13775	Tact Switch
1659	4822 276 13775	Tact Switch
1663	4822 276 13775	Tact Switch
1664	4822 276 13775	Tact Switch
1665	4822 276 13775	Tact Switch
1666	4822 276 13775	Tact Switch
1669	4822 276 13775	Tact Switch
1670	4822 276 13775	Tact Switch
1671	4822 276 13775	Tact Switch
1672	4822 276 13775	Tact Switch
1673	4822 276 13775	Tact Switch
1674	4822 276 13775	Tact Switch
1690	2422 129 16385	Rotary Encoder 12P
1691	2422 129 16386	Rotary Encoder 12P
1800	4822 265 11207	Flex Connector 6P
1801	4822 276 13775	Tact Switch
1802	4822 276 13775	Tact Switch
1803	4822 276 13775	Tact Switch
1804	4822 276 13775	Tact Switch
1805	4822 276 13775	Tact Switch
1840	4822 267 10731	Flex Connector 6P

RESISTORS

3604	4822 051 30103	10k 5% 0,062W
3605	4822 051 30103	10k 5% 0,062W
3606	4822 051 30103	10k 5% 0,062W
3607	4822 051 30103	10k 5% 0,062W
3610	4822 051 30151	150R 5% 0,062W
3611	4822 051 30221	220R 5% 0,062W
3612	4822 051 30271	270R 5% 0,062W
3613	4822 051 30391	390R 5% 0,062W
3614	4822 051 30561	560R 5% 0,062W
3615	4822 117 12968	820R 5% 0,62W
3616	4822 117 11817	1k2 1% 1/16W
3617	4822 117 12903	1k8 1% 0,063W
3618	4822 116 52263	2k7 5% 0,5W
3619	4822 051 30472	4k7 5% 0,062W
3620	4822 051 30103	10k 5% 0,062W
3621	4822 051 30121	120R 5% 0,062W
3622	4822 051 30121	120R 5% 0,062W
3623	4822 051 30121	120R 5% 0,062W
3624	4822 051 30121	120R 5% 0,062W
3630	4822 051 30151	150R 5% 0,062W
3631	4822 051 30221	220R 5% 0,062W
3632	4822 051 30271	270R 5% 0,062W
3633	4822 051 30391	390R 5% 0,062W
3634	4822 051 30561	560R 5% 0,062W
3635	4822 117 12968	820R 5% 0,62W
3636	4822 117 11817	1k2 1% 1/16W
3637	4822 117 12903	1k8 1% 0,063W
3638	4822 051 30272	2k7 5% 0,062W
3639	4822 051 30472	4k7 5% 0,062W
3640	4822 051 30103	10k 5% 0,062W
3646	4822 051 30181	180R 5% 0,062W
3651	4822 051 30221	220R 5% 0,062W
3652	4822 051 30221	220R 5% 0,062W
3653	4822 051 30271	270R 5% 0,062W
3654	4822 051 30121	120R 5% 0,062W
3655	4822 051 30102	1k 5% 0,062W
3800	4822 116 83872	220R 5% 0,5W
3801	4822 116 83872	220R 5% 0,5W
3802	4822 116 83872	220R 5% 0,5W
3803	4822 051 30561	560R 5% 0,062W
3804	4822 051 30391	390R 5% 0,062W
3805	4822 051 30271	270R 5% 0,062W
3806	4822 051 30221	220R 5% 0,062W
3807	4822 051 30151	150R 5% 0,062W
3841	4822 117 12925	47k 1% 0,063W
3842	4822 117 13632	100k 1% 0,62W
3843	4822 051 30102	1k 5% 0,062W
3844	4822 117 12902	8k2 1% 0,063W
3845	4822 117 11817	1k2 1% 1/16W
3846	4822 116 52283	4k7 5% 0,5W
3847	4822 116 83872	220R 5% 0,5W
3848	4822 051 30471	470R 5% 0,062W

CAPACITORS

2604	5322 126 11583	10nF 10% 50V
2605	5322 126 11583	10nF 10% 50V
2606	5322 126 11583	10nF 10% 50V
2607	5322 126 11583	10nF 10% 50V
2608	4822 122 31765	100pF 2% 63V
2613	4822 122 31765	100pF 2% 63V
2615	4822 124 12233	47uF 20% 25V
2622	4822 126 14305	100nF 10% 16V
2623	4822 126 14305	100nF 10% 16V
2800	4822 122 31765	100pF 2% 63V
2840	4822 122 31765	100pF 2% 63V
2841	4822 124 22651	1uF 20% 50V
2842	4822 122 31765	100pF 2% 63V
2843	4822 122 31765	100pF 2% 63V
2844	4822 122 31765	100pF 2% 63V
2860	4822 124 81286	47uF 20% 16V
2861	4822 126 14238	2,2nF 50V
2862	3198 017 34730	47nF 16V

ELECTRICAL PARTS LIST - FRONT CONTROL BOARD

RESISTORS

3849	4822 116 83868	150R 5% 0,5W
3850	4822 051 30391	390R 5% 0,062W
3851	4822 051 30181	180R 5% 0,062W
3860	4822 051 30101	100R 5% 0,062W
3861	4822 051 30103	10k 5% 0,062W
3862	4822 050 11002	1k 1% 0,4W
4500	4822 051 30008	OR Jumper 0603
4600	4822 051 30008	OR Jumper 0603
4601	4822 051 30008	OR Jumper 0603
4602	4822 051 30008	OR Jumper 0603
4603	4822 051 30008	OR Jumper 0603
4604	4822 051 30008	OR Jumper 0603
4605	4822 051 30008	OR Jumper 0603
4606	4822 051 30008	OR Jumper 0603
4607	4822 051 30008	OR Jumper 0603
4627	4822 051 30008	OR Jumper 0603
4628	4822 051 30008	OR Jumper 0603
4843	4822 051 30008	OR Jumper 0603
4845	4822 051 30008	OR Jumper 0603

COILS & FILTERS

5600	3139 110 53000	METER VU P-47SI-W WHITE
------	----------------	-------------------------

DIODES

6602	4822 130 30621	1N4148
6603	4822 130 10791	LTL-1CHGE
6604	4822 130 10791	LTL-1CHGE
6605	4822 130 10791	LTL-1CHGE
6606	4822 130 10791	LTL-1CHGE
6610	4822 130 10791	LTL-1CHGE
6611	4822 130 10791	LTL-1CHGE
6613	4822 130 10791	LTL-1CHGE
6623	9322 153 37676	LB3333RT-E7898
6802	4822 130 10791	LTL-1CHGE
6803	4822 130 10791	LTL-1CHGE
6804	4822 130 10791	LTL-1CHGE
6840	4822 130 30621	1N4148
6841	4822 130 30621	1N4148
6842	9322 153 37676	LB3333RT-E7898
6843	4822 130 82978	LTL-1CHPE
6844	4822 130 11589	LTL-1CHAE

TRANSISTORS & INTEGRATED CIRCUITS

7602	4822 130 60511	BC847B
7800	9322 155 22667	IR Receiver TSOP2236ZC1
7841	4822 130 60511	BC847B
7842	4822 130 60373	BC857B
7843	4822 130 60511	BC847B
7844	4822 130 60511	BC847B
7845	4822 130 60373	BC857B

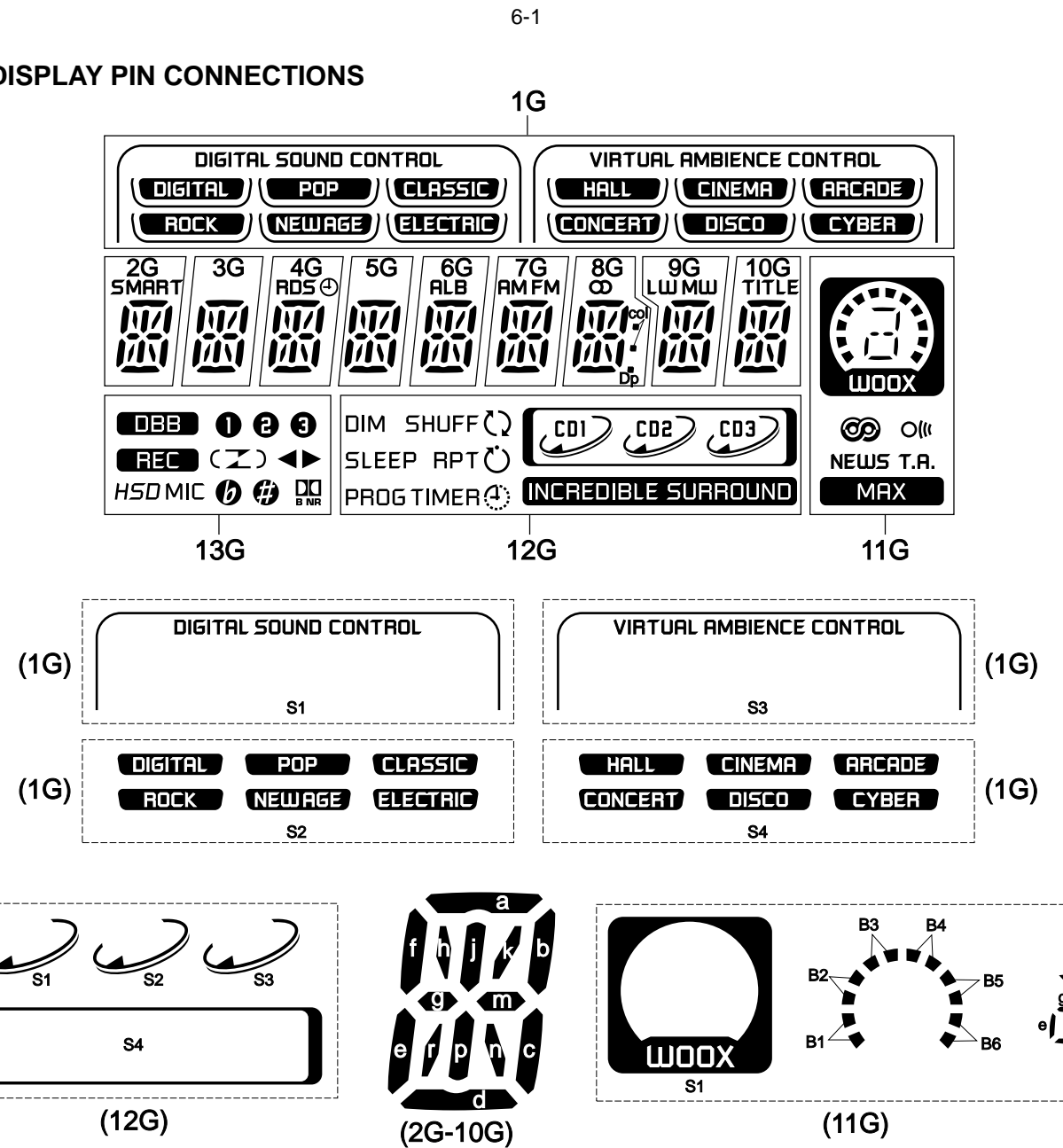
Note : Only the parts mentioned in this list are normal service spare parts.

FRONT DISPLAY BOARD

TABLE OF CONTENTS

FTD pin connection 6-1
 Front Display Board - Chip layout 6-2
 Front Display Board - Component layout 6-3
 Front Display Board - Circuit diagram 6-4
 Headphone Part - Layout & Circuit diagram 6-5
 Electrical parts list 6-5

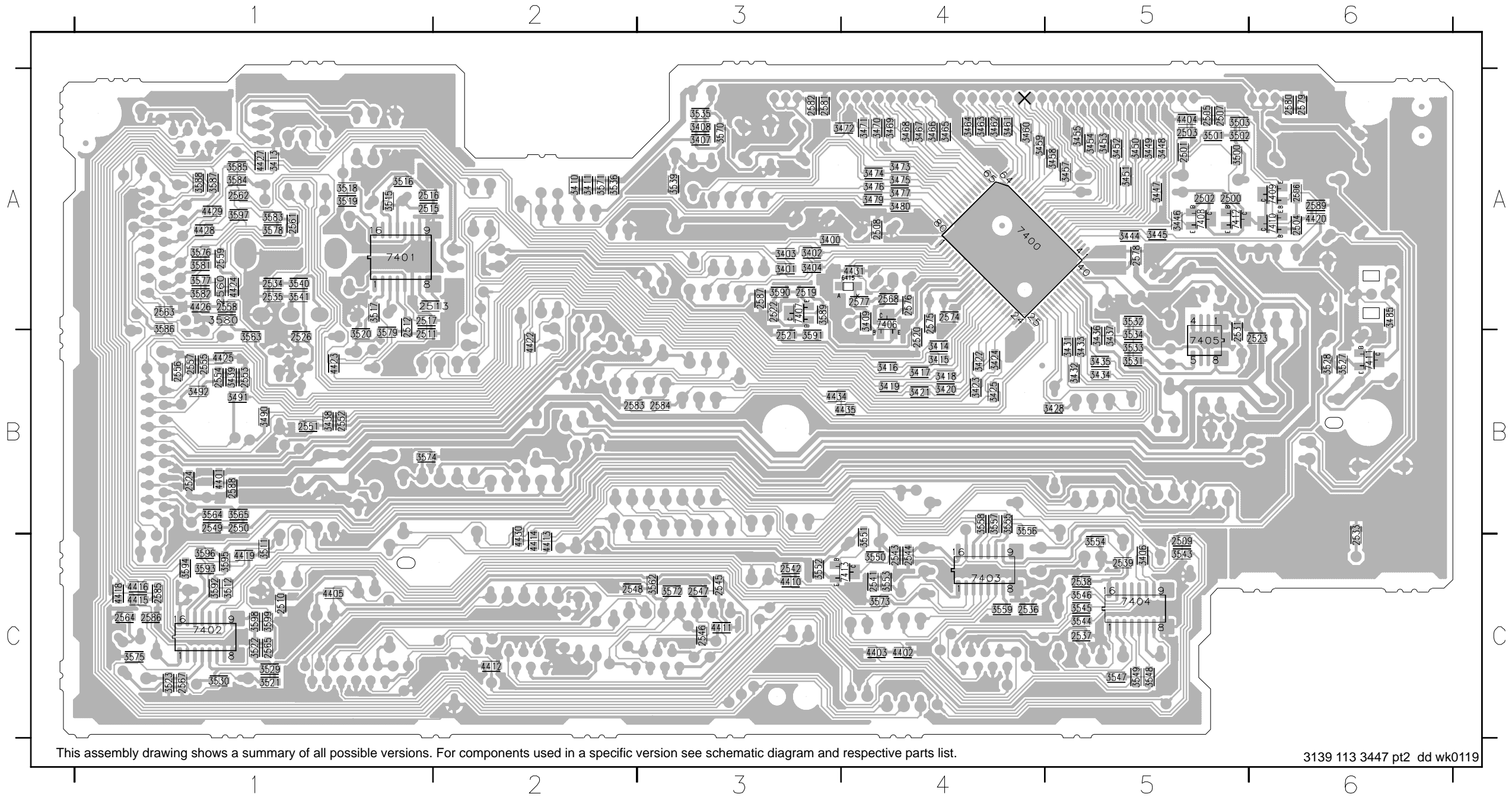
FTD DISPLAY PIN CONNECTIONS



	1G	2G	3G	4G	5G	6G	7G	8G	9G	10G	11G	12G	13G
P1	S1	a	a	a	a	a	a	a	a	a	S1	DIM	DBB
P2	S2	h	h	h	h	h	h	h	h	h	B1	SHUFF	1
P3	(CLASSIC)	j, p	j, p	j, p	j, p	j, p	j, p	j, p	j, p	j, p	B2	SLEEP	2
P4	(POP)	k	k	k	k	k	k	k	k	k	B3	RPT	3
P5	(DIGITAL)	b	b	b	b	b	b	b	b	b	B4	PROG	REC
P6	(ELECTRIC)	f	f	f	f	f	f	f	f	f	B5	TIMER	C
P7	(NEWAGE)	m	m	m	m	m	m	m	m	m	B6	CD1	Z
P8	(ROCK)	g	g	g	g	g	g	g	g	g	a, g, m, d	S1)
P9	S3	c	c	c	c	c	c	c	c	c	b	CD2	◀
P10	S4	e	e	e	e	e	e	e	e	e	c	S2	▶
P11	(ARCADE)	r	r	r	r	r	r	r	r	r	e	CD3	HSD
P12	(CINEMA)	n	n	n	n	n	n	n	n	n	⊞	S3	MIC
P13	(HALL)	d	d	d	d	d	d	d	d	d	Oll	S4	b
P14	(CYBER)	SMART	-	RDS	-	ALB	AM	∞	LW	TITLE	NEWS	INCRECIBLE SURROUND	#
P15	(DISCO)	-	-	-	-	-	FM	col	MW	-	T.A.	-	⊞ NR
P16	(CONCERT)	-	-	-	-	-	-	Dp	-	-	MAX	-	-

FRONT DISPLAY BOARD - CHIP LAYOUT

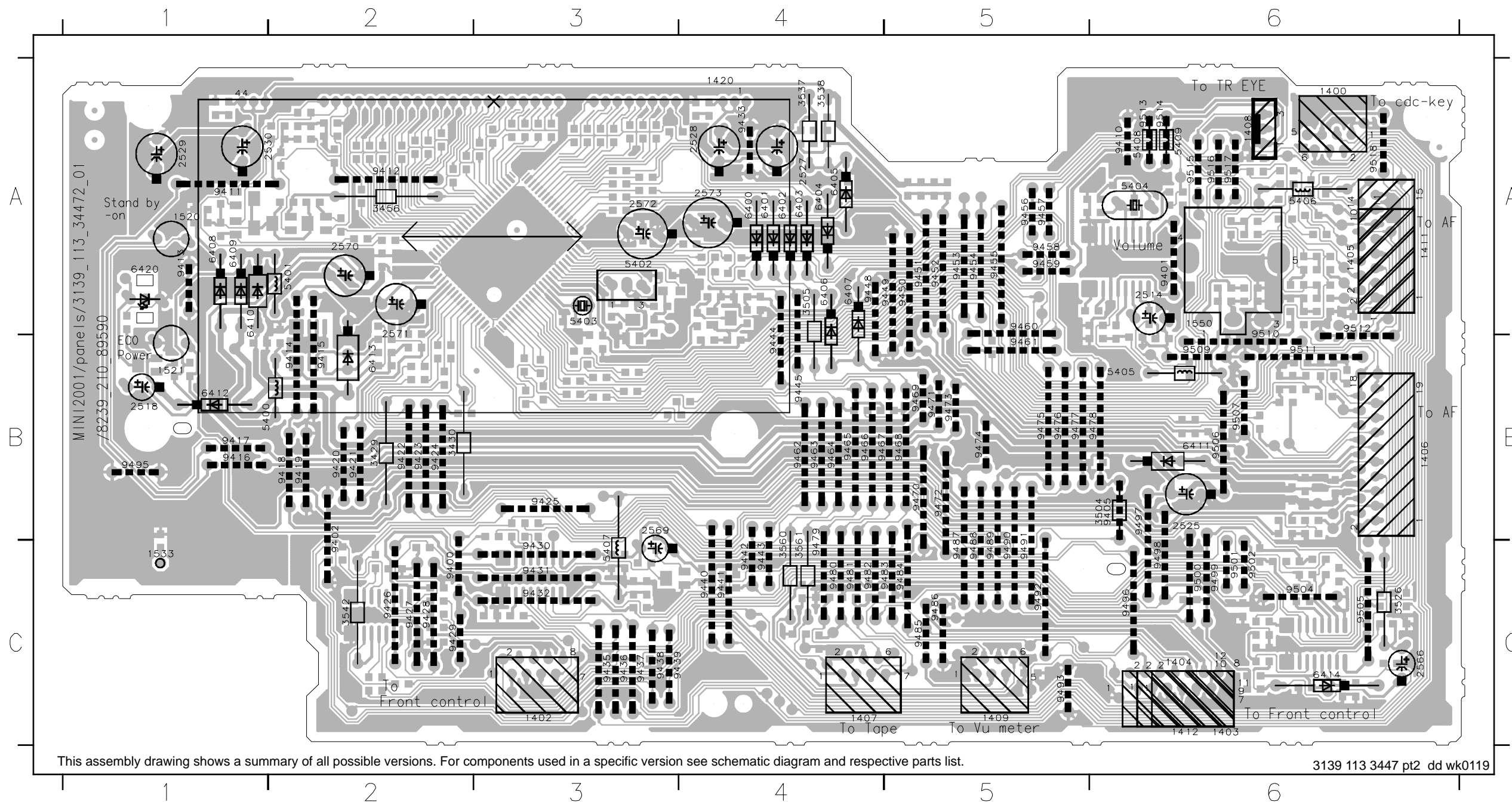
2500 A5	2512 A1	2531 B5	2545 C3	2557 B1	2575 A4	2587 A3	3410 A2	3423 B4	3439 B1	3455 A5	3468 A4	3485 A6	3517 A1	3532 A5	3547 C5	3559 C4	3577 A1	3589 A3	4402 C4	4419 C1	4434 B3	7409 A6
2501 A5	2513 A2	2533 C6	2546 C3	2558 A1	2576 A4	2588 B1	3411 A2	3424 B4	3444 A5	3457 A5	3469 A4	3490 B1	3518 A1	3533 B5	3548 C5	3562 C3	3578 A1	3590 A3	4403 C4	4420 A6	4435 B4	7410 A6
2502 A5	2515 A1	2534 A1	2547 C3	2559 A1	2577 A4	2589 A6	3413 A1	3425 B4	3445 A5	3458 A5	3470 A4	3491 B1	3519 A1	3534 B5	3549 C5	3563 B1	3579 B1	3591 B3	4404 A5	4422 B2	4415 A4	7411 B6
2503 A5	2516 A1	2535 A1	2548 C2	2560 A1	2578 A5	3400 A3	3414 B4	3428 B5	3446 A5	3459 A4	3471 A4	3492 B1	3520 B1	3535 A3	3550 C4	3564 B1	3580 A1	3592 C1	4405 C1	4423 B1	7400 A4	7412 A5
2504 A6	2517 A1	2536 C4	2549 B1	2561 A1	2579 A6	3401 A3	3415 B4	3431 B5	3447 A5	3460 A4	3472 A4	3500 A5	3521 C1	3536 A2	3551 C4	3565 B1	3581 A1	3593 C1	4410 C3	4424 A1	7401 A1	7413 C4
2505 A5	2519 A3	2537 C5	2550 B1	2562 A1	2580 A6	3402 A3	3416 B4	3432 B5	3448 A5	3461 A4	3473 A4	3501 A5	3522 C1	3539 A3	3552 C3	3570 A3	3582 A1	3594 C1	4411 C3	4425 B1	7402 C1	
2506 A6	2520 B4	2538 C5	2551 B1	2563 A1	2581 A3	3403 A3	3417 B4	3433 B5	3449 A5	3462 A4	3474 A4	3502 A5	3523 C1	3540 A1	3553 C4	3571 A2	3583 A1	3595 C1	4412 C2	4426 A1	7403 C4	
2507 A5	2521 B3	2539 C5	2552 B1	2564 C1	2582 A3	3404 A3	3418 B4	3434 B5	3450 A5	3463 A4	3475 A4	3503 A5	3527 B6	3541 A1	3554 C5	3572 C3	3584 A1	3596 C1	4413 C2	4427 A1	7404 C5	
2508 A4	2522 A3	2541 C4	2553 B1	2565 C1	2583 B2	3406 C5	3419 B4	3435 B5	3451 A5	3464 A4	3476 A4	3511 C1	3528 B6	3543 C5	3555 B4	3573 C4	3585 A1	3597 A1	4414 C2	4428 A1	7405 B5	
2509 C5	2523 B6	2542 C3	2554 B1	2567 C1	2584 B3	3407 A3	3420 B4	3436 B5	3452 A5	3465 A4	3477 A4	3512 C1	3529 C1	3544 C5	3556 B4	3574 B1	3586 A1	3598 C1	4415 C1	4429 A1	7406 A4	
2510 C1	2524 B1	2543 C4	2555 B1	2568 A4	2585 C1	3408 A3	3421 B4	3437 B5	3453 A5	3466 A4	3479 A4	3515 A1	3530 C1	3545 C5	3557 B4	3575 C1	3587 A1	3599 C1	4416 C1	4430 C2	7407 A3	
2511 B1	2526 B1	2544 C4	2556 B1	2574 A4	2586 C1	3409 A4	3422 B4	3438 B1	3454 A5	3467 A4	3480 A4	3516 A1	3531 B5	3546 C5	3558 B4	3576 A1	3588 A1	4401 B1	4418 C1	4431 A4	7408 A5	



This assembly drawing shows a summary of all possible versions. For components used in a specific version see schematic diagram and respective parts list.

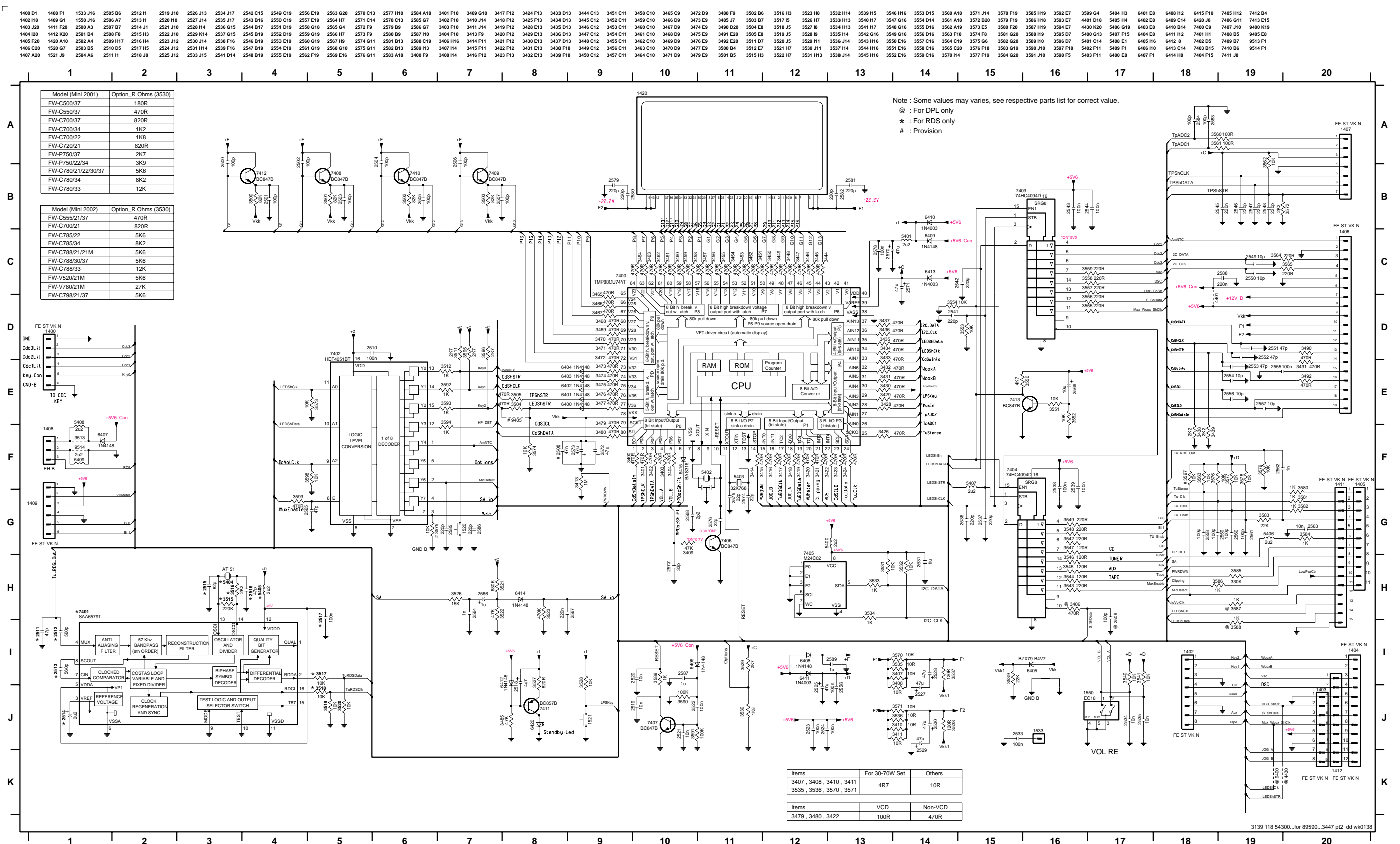
FRONT DISPLAY BOARD - COMPONENT LAYOUT

1400 A6	1409 C5	2514 A6	2569 B3	3504 B6	5400 B1	5408 A6	6406 A4	6414 C6	9412 A2	9420 B2	9428 C2	9437 C3	9445 B4	9455 A5	9463 B4	9471 B5	9479 C4	9487 C5	9496 C6	9505 C6	9514 A6
1402 C3	1411 A6	2518 B1	2570 A2	3505 A4	5401 A2	5409 A6	6407 A4	6420 A1	9413 A1	9421 B2	9429 C2	9438 C3	9448 A4	9456 A5	9464 B4	9472 B5	9480 C4	9488 C5	9497 B6	9506 B6	9515 A6
1403 C6	1412 C6	2525 B6	2571 A2	3526 C6	5402 A3	6400 A4	6408 A1	9400 C2	9414 B2	9422 B2	9430 C3	9439 C3	9449 A5	9457 A5	9465 B4	9473 B5	9481 C4	9489 C5	9498 C6	9507 B6	9516 A6
1404 C6	1420 A4	2527 A4	2572 A3	3537 A4	5403 A3	6401 A4	6409 A1	9401 A6	9415 B2	9423 B2	9431 C3	9440 C4	9450 A5	9458 A5	9466 B4	9474 B5	9482 C4	9490 C5	9499 C6	9509 B6	9517 A6
1405 A6	1520 A1	2528 A4	2573 A4	3538 A4	5404 A6	6402 A4	6410 A1	9402 B2	9416 B1	9424 B2	9432 C3	9441 C4	9451 A5	9459 A5	9467 B4	9475 B5	9483 C5	9491 C5	9500 C6	9510 A6	9518 A6
1406 B6	1521 B1	2529 A1	3429 B2	3542 C2	5405 B6	6403 A4	6411 B6	9405 B6	9417 B1	9425 B3	9433 A4	9442 C4	9452 A5	9460 A5	9468 B5	9476 B5	9484 C5	9492 C5	9501 C6	9511 B6	
1407 C4	1533 C1	2530 A1	3430 B2	3560 C4	5406 A6	6404 A4	6412 B1	9410 A6	9418 B2	9426 C2	9435 C3	9443 C4	9453 A5	9461 B5	9469 B5	9477 B5	9485 C5	9493 C5	9502 C6	9512 A6	
1408 A6	1550 A6	2566 C6	3456 A2	3561 C4	5407 C3	6405 A4	6413 B2	9411 A1	9419 B2	9427 C2	9436 C3	9444 B4	9454 A5	9462 B4	9470 B5	9478 B6	9486 C5	9495 B1	9504 C6	9513 A6	



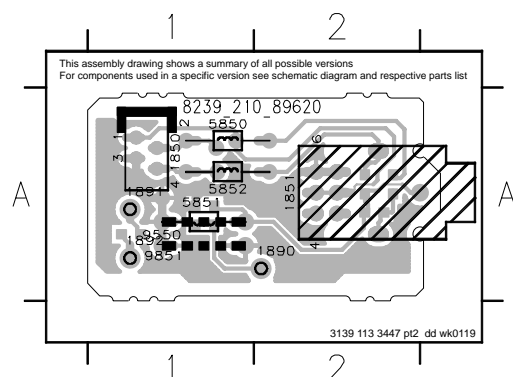
This assembly drawing shows a summary of all possible versions. For components used in a specific version see schematic diagram and respective parts list.

FRONT DISPLAY BOARD - CIRCUIT DIAGRAM



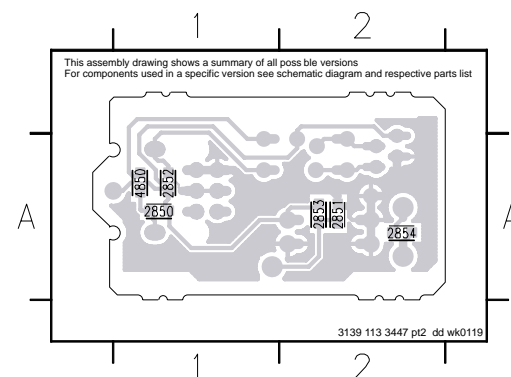
HEADPHONE BOARD - COMPONENT LAYOUT

1850 A1 1891 A1 5851 A1 9851 A1
 1851 A2 1892 A1 5852 A1
 1890 A2 5850 A1 9550 A1



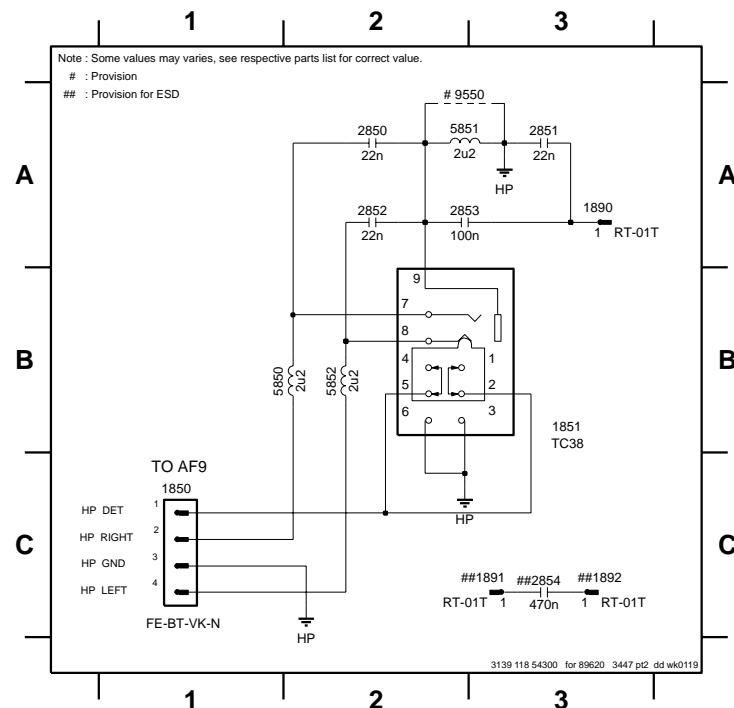
HEADPHONE BOARD - CHIP LAYOUT

2850 A1 2852 A1 2854 A2
 2851 A2 2853 A2 4850 A1



HEADPHONE BOARD - CIRCUIT DIAGRAM

1850 C1 1890 A3 1892 C3 2851 A3 2853 A2 5850 B1 5852 B2
 1851 B3 1891 C3 2850 A2 2852 A2 2854 C3 5851 A2 9550 A2



ELECTRICAL PARTS LIST - FRONT DISPLAY BOARD

MISCELLANEOUS

1400	4822 265 11207	Flex Connector 6P
1402	4822 265 11535	Flex Connector 8P
1404	4822 267 51453	Flex Connector 12P
1405	2422 025 14541	Flex Connector 11P
1406	4822 265 11545	Flex Connector 19P
1407	4822 267 10956	Flex Connector 7P
1409	4822 265 11207	Flex Connector 6P
1420	3139 110 52550	FTD Display
1520	4822 276 13775	Tact Switch
1521	4822 276 13775	Tact Switch
1550	4822 273 10365	Rotary Encoder 24P

1850	4822 267 10733	Flex Connector 4P
1851	4822 265 11529	Headphone Socket

CAPACITORS

2500	4822 122 31765	100pF 2% 63V
2501	4822 122 31765	100pF 2% 63V
2502	4822 122 31765	100pF 2% 63V
2503	4822 122 31765	100pF 2% 63V
2504	4822 122 31765	100pF 2% 63V
2505	4822 122 31765	100pF 2% 63V
2506	4822 122 31765	100pF 2% 63V

ELECTRICAL PARTS LIST - FRONT DISPLAY BOARD

2507	4822 122 31765	100pF 2% 63V
2508	3198 024 44730	47nF 50V
2510	4822 126 14305	100nF 10% 16V
2518	4822 124 22726	4,7uF 35V
2519	5322 126 11583	10nF 10% 50V
2520	5322 126 11583	10nF 10% 50V
2521	5322 126 11583	10nF 10% 50V
2522	4822 126 14305	100nF 10% 16V
2523	4822 126 14305	100nF 10% 16V
2524	4822 126 14305	100nF 10% 16V
2525	4822 124 12233	47uF 20% 25V
2526	4822 126 14305	100nF 10% 16V
2527	4822 124 22726	4,7uF 35V
2528	4822 124 22726	4,7uF 35V
2529	4822 124 22726	4,7uF 35V
2530	4822 124 22726	4,7uF 35V
2531	3198 017 41050	1uF 10V
2533	4822 126 14305	100nF 10% 16V
2534	5322 126 11583	10nF 10% 50V
2535	5322 126 11583	10nF 10% 50V
2536	4822 126 13883	220pF 5% 50V
2537	4822 126 13883	220pF 5% 50V
2538	4822 126 14305	100nF 10% 16V
2539	4822 126 14305	100nF 10% 16V
2541	4822 126 13883	220pF 5% 50V
2542	4822 126 13883	220pF 5% 50V
2543	4822 126 14305	100nF 10% 16V
2544	4822 126 14305	100nF 10% 16V
2545	4822 126 13879	220nF +80/-20% 16V
2546	4822 126 13883	220pF 5% 50V
2547	4822 126 13883	220pF 5% 50V
2548	4822 126 13883	220pF 5% 50V
2549	4822 122 33741	10pF 10% 50V
2550	4822 122 33741	10pF 10% 50V
2551	4822 122 33777	47pF 5% 63V
2552	4822 122 33777	47pF 5% 63V
2553	4822 122 33777	47pF 5% 63V
2554	4822 122 33741	10pF 10% 50V
2555	4822 126 14305	100nF 10% 16V
2556	4822 122 33741	10pF 10% 50V
2557	4822 122 33741	10pF 10% 50V
2558	4822 122 31765	100pF 2% 63V
2559	4822 122 31765	100pF 2% 63V
2560	4822 122 31765	100pF 2% 63V
2561	4822 122 31765	100pF 2% 63V
2562	3198 016 31020	1nF 25V
2563	5322 126 11583	10nF 10% 50V
2564	5322 126 11578	1nF 10% 50V
2565	4822 122 33777	47pF 5% 63V
2566	4822 124 22651	1uF 20% 50V
2567	4822 126 13879	220nF +80/-20% 16V
2568	4822 126 14223	2,2pF 50V

2569	4822 124 11947	10uF 20% 16V
2570	4822 124 12052	220uF 20% 6,3V
2571	4822 124 12233	47uF 20% 25V
2572	3198 028 44790	47uF 20% 35V
2573	3198 028 44790	47uF 20% 35V
2574	4822 122 33761	22pF 5% 50V
2575	4822 122 33761	22pF 5% 50V
2576	4822 122 33761	22pF 5% 50V
2577	2222 867 15339	33pF 5% 50V
2578	4822 126 14305	100nF 10% 16V
2579	4822 126 13883	220pF 5% 50V
2580	4822 126 13883	220pF 5% 50V
2581	4822 126 13883	220pF 5% 50V
2582	4822 126 13883	220pF 5% 50V
2583	4822 122 31765	100pF 2% 63V
2584	4822 122 31765	100pF 2% 63V
2585	4822 126 13883	220pF 5% 50V
2586	4822 126 13883	220pF 5% 50V
2587	3198 017 41050	1uF 10V
2588	4822 126 13879	220nF +80/-20% 16V
2589	3198 017 41050	1uF 10V
2850	4822 126 14494	22nF 10% 25V
2851	4822 126 14494	22nF 10% 25V
2852	4822 126 14494	22nF 10% 25V
2853	4822 126 14305	100nF 10% 16V

RESISTORS

3400	4822 051 30471	470R 5% 0,062W
3401	4822 051 30471	470R 5% 0,062W
3402	4822 051 30471	470R 5% 0,062W
3403	4822 051 30471	470R 5% 0,062W
3404	4822 051 30471	470R 5% 0,062W
3407	4822 051 20109	10R 5% 0,1W
3408	4822 051 20109	10R 5% 0,1W
3409	4822 117 12925	47k 1% 0,063W
3410	4822 051 20109	10R 5% 0,1W
3411	4822 051 20109	10R 5% 0,1W
3413	4822 051 30105	1M 5% 0,062W
3414	4822 051 30471	470R 5% 0,062W
3415	4822 051 30471	470R 5% 0,062W
3416	4822 051 30471	470R 5% 0,062W
3417	4822 051 30471	470R 5% 0,062W
3418	4822 051 30471	470R 5% 0,062W
3419	4822 051 30471	470R 5% 0,062W
3420	4822 051 30471	470R 5% 0,062W
3421	4822 051 30471	470R 5% 0,062W
3422	4822 051 30471	470R 5% 0,062W
3423	4822 051 30471	470R 5% 0,062W
3424	4822 051 30471	470R 5% 0,062W
3425	4822 051 30471	470R 5% 0,062W
3428	4822 051 30471	470R 5% 0,062W
3429	4822 116 83883	470R 5% 0,5W

ELECTRICAL PARTS LIST - FRONT DISPLAY BOARD**RESISTORS**

3430	4822 116 83883	470R 5% 0,5W	3502	4822 117 12864	82k 5% 0,6W
3431	4822 051 30471	470R 5% 0,062W	3503	4822 117 12864	82k 5% 0,6W
3432	4822 051 30471	470R 5% 0,062W	3504	4822 116 83883	470R 5% 0,5W
3433	4822 051 30471	470R 5% 0,062W	3505	4822 116 83883	470R 5% 0,5W
3434	4822 051 30102	1k 5% 0,062W	3511	4822 051 30272	2k7 5% 0,062W
3435	4822 051 30471	470R 5% 0,062W	3512	4822 051 30102	1k 5% 0,062W
3436	4822 051 30471	470R 5% 0,062W	3519	4822 051 30103	10k 5% 0,062W
3437	4822 051 30471	470R 5% 0,062W	3520	4822 051 30103	10k 5% 0,062W
3438	4822 051 30222	2k2 5% 0,062W	3521	4822 051 30684	680k 5% 0,062W
3439	4822 051 30222	2k2 5% 0,062W	3522	4822 117 12925	47k 1% 0,063W
3444	4822 051 30471	470R 5% 0,062W	3523	4822 051 30474	470k 5% 0,062W
3445	4822 051 30471	470R 5% 0,062W	3524	4822 051 30109	10R 5% 0,062W
3446	4822 051 30471	470R 5% 0,062W	3526	4822 116 52244	15k 5% 0,5W
3447	4822 051 30471	470R 5% 0,062W	3527	4822 117 12968	820R 5% 0,62W
3448	4822 051 30471	470R 5% 0,062W	3528	4822 051 30103	10k 5% 0,062W
3449	4822 051 30471	470R 5% 0,062W	3529	4822 051 30272	2k7 5% 0,062W
3450	4822 051 30471	470R 5% 0,062W	3530	4822 051 30562	5k6 5% 0,063W
3451	4822 051 30471	470R 5% 0,062W	3531	4822 051 30103	10k 5% 0,062W
3452	4822 051 30471	470R 5% 0,062W	3532	4822 051 30103	10k 5% 0,062W
3453	4822 051 30471	470R 5% 0,062W	3533	4822 051 30102	1k 5% 0,062W
3454	4822 051 30471	470R 5% 0,062W	3534	4822 051 30102	1k 5% 0,062W
3455	4822 051 30471	470R 5% 0,062W	3535	4822 051 20109	10R 5% 0,1W
3456	4822 116 83883	470R 5% 0,5W	3536	4822 051 20109	10R 5% 0,1W
3457	4822 051 30471	470R 5% 0,062W	3537	4822 116 52206	120R 5% 0,5W
3458	4822 051 30471	470R 5% 0,062W	3538	4822 116 52206	120R 5% 0,5W
3459	4822 051 30471	470R 5% 0,062W	3539	4822 051 30223	22k 5% 0,062W
3460	4822 051 30471	470R 5% 0,062W	3540	4822 051 30103	10k 5% 0,062W
3461	4822 051 30471	470R 5% 0,062W	3541	4822 051 30103	10k 5% 0,062W
3462	4822 051 30471	470R 5% 0,062W	3542	4822 116 83872	220R 5% 0,5W
3463	4822 051 30471	470R 5% 0,062W	3543	4822 051 30221	220R 5% 0,062W
3464	4822 051 30471	470R 5% 0,062W	3544	4822 051 30121	120R 5% 0,062W
3465	4822 051 30471	470R 5% 0,062W	3545	4822 051 30121	120R 5% 0,062W
3466	4822 051 30471	470R 5% 0,062W	3546	4822 051 30121	120R 5% 0,062W
3467	4822 051 30471	470R 5% 0,062W	3547	4822 051 30121	120R 5% 0,062W
3468	4822 051 30471	470R 5% 0,062W	3548	4822 051 30221	220R 5% 0,062W
3469	4822 051 30471	470R 5% 0,062W	3549	4822 051 30221	220R 5% 0,062W
3470	4822 051 30471	470R 5% 0,062W	3550	4822 051 30472	4k7 5% 0,062W
3471	4822 051 30471	470R 5% 0,062W	3551	4822 051 30103	10k 5% 0,062W
3472	4822 051 30471	470R 5% 0,062W	3552	4822 051 30103	10k 5% 0,062W
3473	4822 051 30471	470R 5% 0,062W	3553	4822 051 30103	10k 5% 0,062W
3474	4822 051 30221	220R 5% 0,062W	3554	4822 051 30103	10k 5% 0,062W
3475	4822 051 30221	220R 5% 0,062W	3555	4822 051 30221	220R 5% 0,062W
3476	4822 051 30471	470R 5% 0,062W	3556	4822 051 30121	120R 5% 0,062W
3477	4822 051 30471	470R 5% 0,062W	3557	4822 051 30271	270R 5% 0,062W
3479	4822 051 30471	470R 5% 0,062W	3558	4822 051 30221	220R 5% 0,062W
3480	4822 051 30471	470R 5% 0,062W	3559	4822 051 30221	220R 5% 0,062W
3485	4822 117 12925	47k 1% 0,063W	3560	4822 116 83883	470R 5% 0,5W
3490	4822 051 30471	470R 5% 0,062W	3561	4822 116 83883	470R 5% 0,5W
3491	4822 051 30471	470R 5% 0,062W	3562	4822 051 30103	10k 5% 0,062W
3492	4822 051 30471	470R 5% 0,062W	3563	4822 051 30103	10k 5% 0,062W
3500	4822 117 12864	82k 5% 0,6W	3564	4822 051 30221	220R 5% 0,062W
3501	4822 117 12864	82k 5% 0,6W	3565	4822 051 30221	220R 5% 0,062W

ELECTRICAL PARTS LIST - FRONT DISPLAY BOARD**COILS & FILTERS**

3570	4822 051 20109	10R 5% 0,1W	5400	4822 157 62552	Coil 2,2uH 5%
3571	4822 051 20109	10R 5% 0,1W	5401	4822 157 62552	Coil 2,2uH 5%
3572	4822 051 30222	2k2 5% 0,062W	5402	5322 242 73686	RES CER 12MHz
3573	4822 051 30103	10k 5% 0,062W	5403	2422 543 01069	RES XTL 32,768kHz
3574	4822 051 30103	10k 5% 0,062W	5405	4822 157 62552	Coil 2,2uH 5%
3576	4822 051 30103	10k 5% 0,062W	5406	4822 157 62552	Coil 2,2uH 5%
3577	4822 051 30103	10k 5% 0,062W	5407	4822 157 62552	Coil 2,2uH 5%
3578	4822 051 30103	10k 5% 0,062W	5408	4822 157 62552	Coil 2,2uH 5%
3579	4822 051 30103	10k 5% 0,062W	5409	4822 157 62552	Coil 2,2uH 5%
3580	4822 051 30102	1k 5% 0,062W	5850	4822 157 62552	Coil 2,2uH 5%
3581	4822 051 30102	1k 5% 0,062W	5851	4822 157 62552	Coil 2,2uH 5%
3582	4822 051 30102	1k 5% 0,062W	5852	4822 157 62552	Coil 2,2uH 5%
3583	4822 051 30223	22k 5% 0,062W			
3584	4822 051 30102	1k 5% 0,062W			

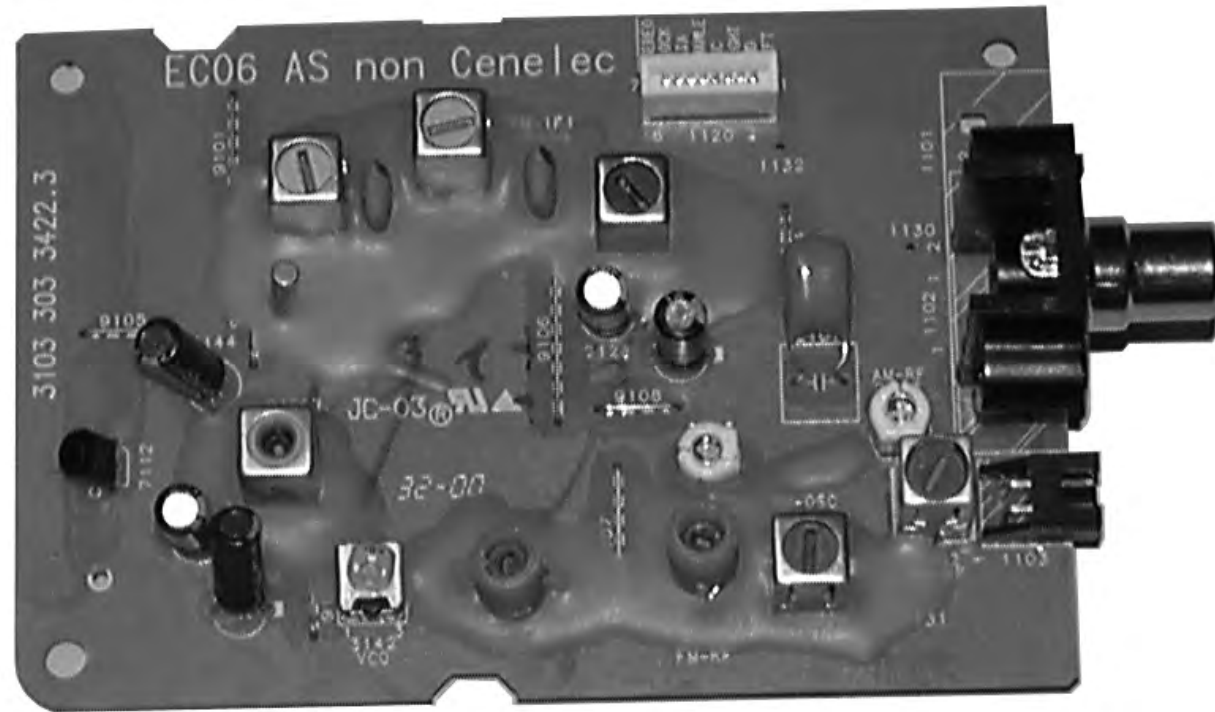
DIODES

3585	4822 051 30334	330k 5% 0,062W	6400	4822 130 30621	1N4148
3586	4822 051 30102	1k 5% 0,062W	6401	4822 130 30621	1N4148
3589	4822 051 30102	1k 5% 0,062W	6402	4822 130 30621	1N4148
3590	4822 117 13632	100k 1% 0,62W	6403	4822 130 30621	1N4148
3591	4822 117 13632	100k 1% 0,62W	6404	4822 130 30621	1N4148
3592	4822 051 30102	1k 5% 0,062W	6405	4822 130 34174	BZX79-B4V7
3593	4822 051 30102	1k 5% 0,062W	6406	4822 130 30621	1N4148
3594	4822 051 30102	1k 5% 0,062W	6407	4822 130 30621	1N4148
3595	4822 051 30272	2k7 5% 0,062W	6408	4822 130 30621	1N4148
3596	4822 051 30272	2k7 5% 0,062W	6409	4822 130 30621	1N4148
3598	4822 051 30103	10k 5% 0,062W	6410	4822 130 31878	1N4003G
3599	4822 051 30471	470R 5% 0,062W	6411	4822 130 31878	1N4003G
4402	4822 051 30008	0R Jumper 0603	6412	4822 130 30621	1N4148
4403	4822 051 30008	0R Jumper 0603	6413	4822 130 31878	1N4003G
4404	4822 051 30008	0R Jumper 0603	6414	4822 130 30621	1N4148
4410	4822 051 30008	0R Jumper 0603	6415	4822 130 11397	BAS316
4411	4822 051 30008	0R Jumper 0603	6420	9322 167 73676	LTL-4221NLC-KA
4412	4822 051 30008	0R Jumper 0603			
4413	4822 051 30008	0R Jumper 0603			
4414	4822 051 30008	0R Jumper 0603			
4415	4822 051 30008	0R Jumper 0603			
4416	4822 051 30008	0R Jumper 0603			
4418	4822 051 30008	0R Jumper 0603			
4419	4822 051 30008	0R Jumper 0603			
4420	4822 051 30008	0R Jumper 0603			
4422	4822 051 30008	0R Jumper 0603			
4423	4822 051 30008	0R Jumper 0603			
4424	4822 051 30008	0R Jumper 0603			
4425	4822 051 30008	0R Jumper 0603			
4426	4822 051 30008	0R Jumper 0603			
4427	4822 051 30008	0R Jumper 0603			
4428	4822 051 30008	0R Jumper 0603			
4429	4822 051 30008	0R Jumper 0603			
4431	4822 051 30008	0R Jumper 0603			
4434	4822 051 30008	0R Jumper 0603			
4435	4822 051 30008	0R Jumper 0603			
4850	4822 051 30008	0R Jumper 0603			

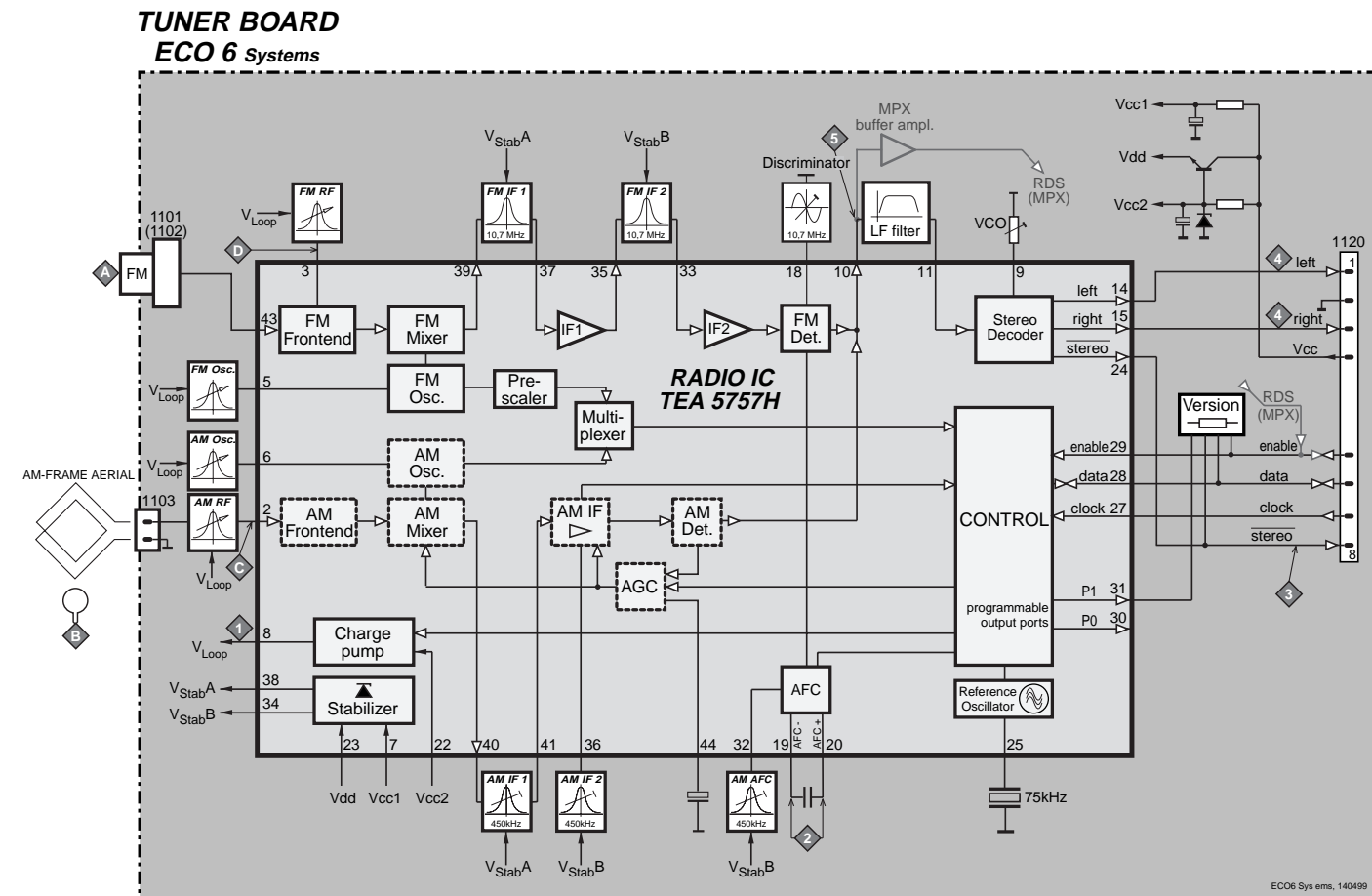
TRANSISTORS & INTEGRATED CIRCUITS

7400	3139 110 53040	TMP88CU74YF-'C555S53041'
7402	5322 209 11446	HEF4051BT
7403	4822 209 15449	74HC4094D
7404	4822 209 15449	74HC4094D
7405	9322 145 26668	M24C02-WMN6
7406	4822 130 60511	BC847B
7407	4822 130 60511	BC847B
7408	4822 130 60511	BC847B
7409	4822 130 60511	BC847B
7410	4822 130 60511	BC847B
7411	4822 130 60373	BC857B
7412	4822 130 60511	BC847B
7413	4822 130 60511	BC847B

Note : Only the parts mentioned in this list are normal service spare parts.



BLOCK DIAGRAM

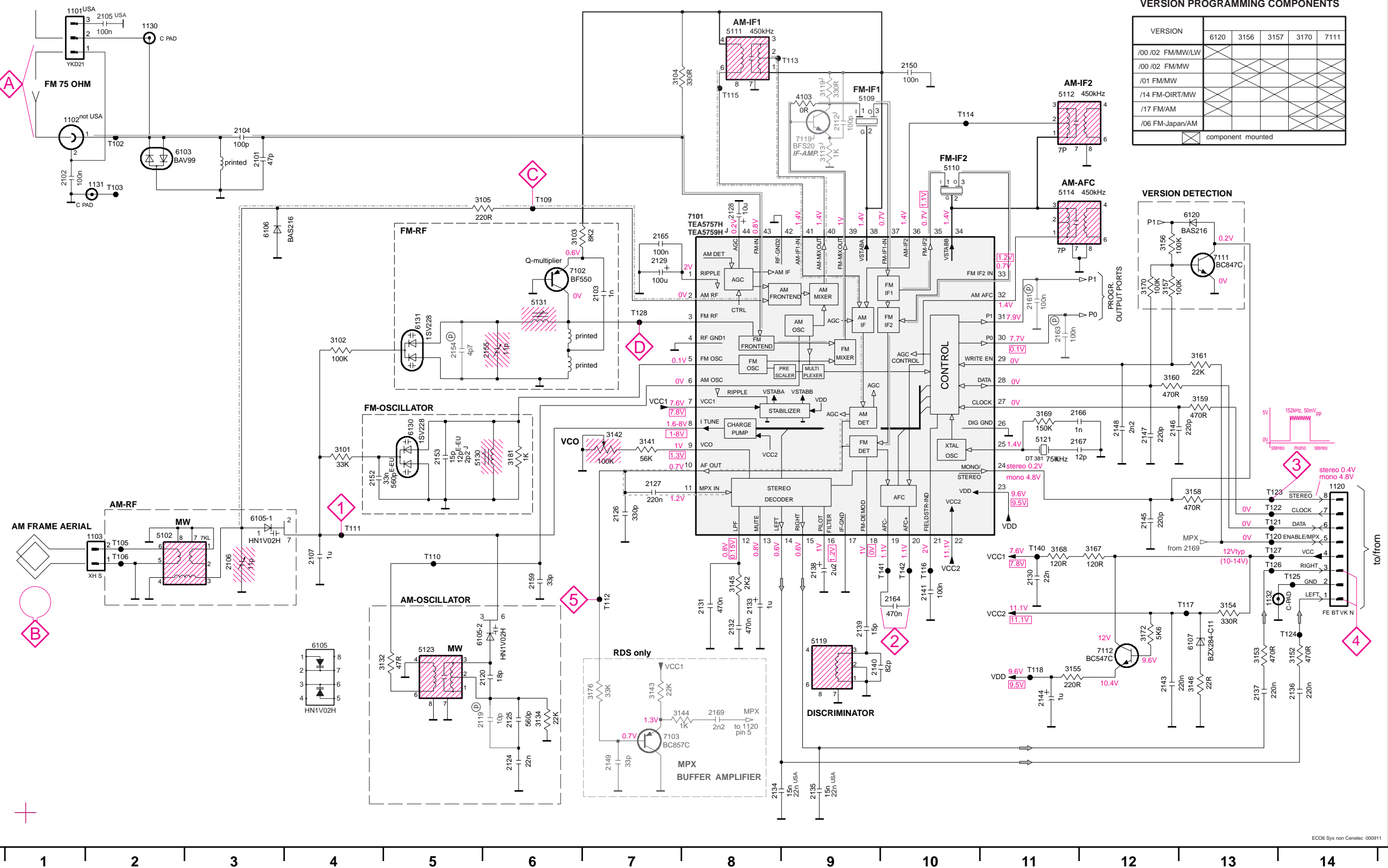


ECO6 Tuner Board
version: **SYSTEMS non-CENELEC**

TABLE OF CONTENTS

Blockdiagram7A-1
 Schematic Diagram7A-2
 Component Layout.....7A-3
 Adjustment table7A-3
 Electrical Partslist.....7A-4

TUNER BOARD ECO6 / SYSTEMS NON CENELEC

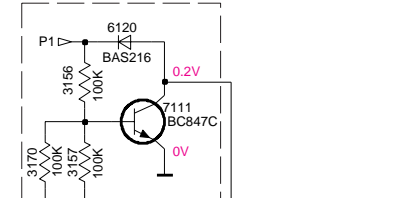


VERSION PROGRAMMING COMPONENTS

VERSION	6120	3156	3157	3170	7111
/00 /02 FM/MW/LW					
/00 /02 FM/MW					
/01 FM/MW					
/14 FM-OIRT/MW					
/17 FM/AM					
/06 FM-Japan/AM					

component mounted

VERSION DETECTION



LEGEND

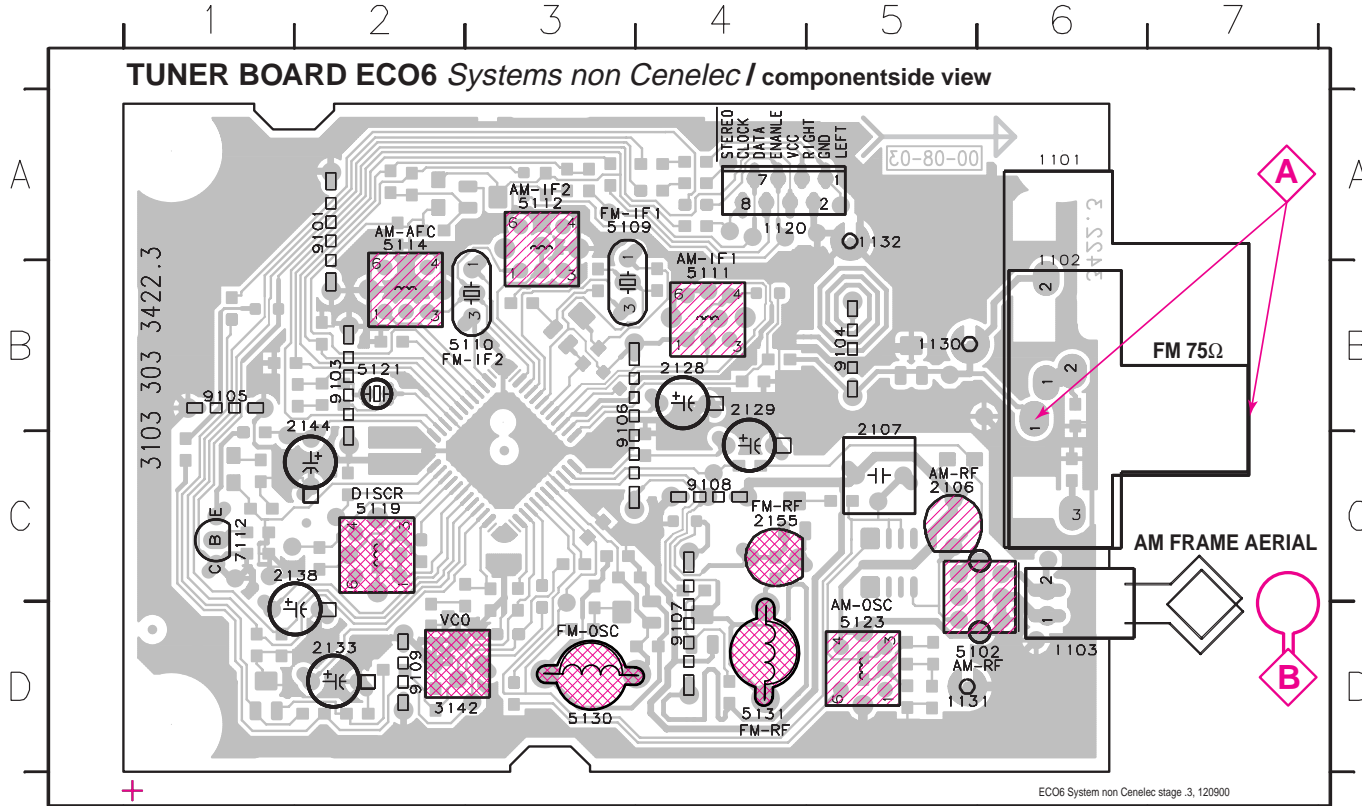
- (P) ... for provision only
- USA ... for USA version only
- E-EU ... for East European version only
- J ... for Japanese version only

- ...V FM mode stereo
- ...V MW mode
- ...V LW mode
- voltages measured while set is tuned to a strong transmitter
- EVM

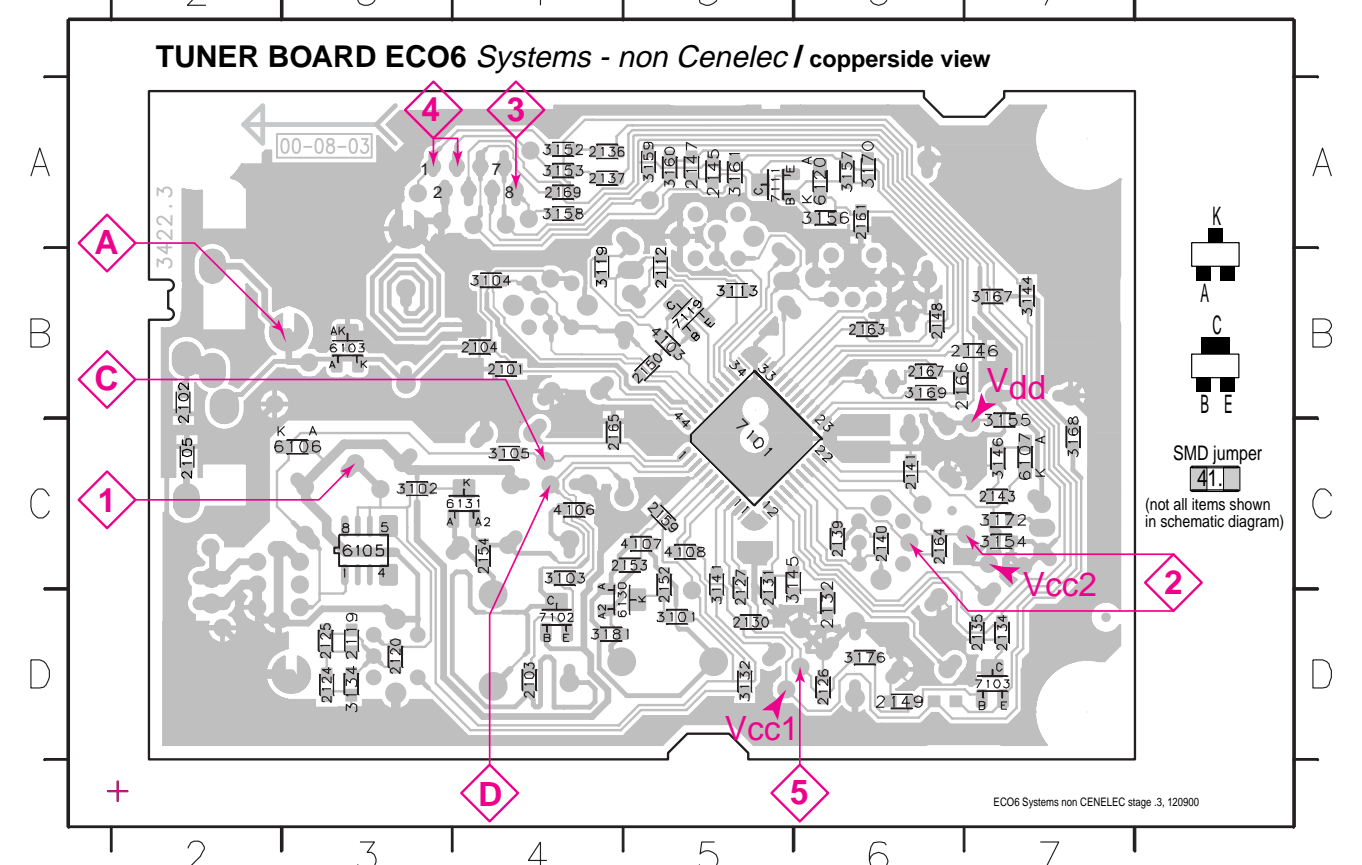
- Signal path
- FM
- - - AM
- · - · MPX (Audio Frequency)
- ⇒ AF - left/right

- 1101 A1
- 1102 B1
- 1103 F2
- 1120 E14
- 1130 A2
- 1131 B2
- 1132 G13
- 2101 B3
- 2102 B1
- 2103 C7
- 2104 B3
- 2105 A2
- 2106 F3
- 2107 F4
- 2119 H6
- 2120 G6
- 2124 H6
- 2125 H6
- 2126 F7
- 2127 E7
- 2128 C8
- 2129 C7
- 2130 F11
- 2131 G8
- 2132 G8
- 2133 G8
- 2134 H8
- 2135 H9
- 2136 G14
- 2137 G13
- 2138 F9
- 2139 G9
- 2140 G9
- 2141 F10
- 2143 G12
- 2144 G11
- 2145 F12
- 2146 E12
- 2147 E12
- 2148 E12
- 2149 H7
- 2150 A10
- 2152 E4
- 2153 E5
- 2154 D5
- 2155 D5
- 2159 F6
- 2161 C11
- 2163 D11
- 2164 F10
- 2165 C7
- 2166 E11
- 2167 E11
- 2169 H8
- 3101 E4
- 3102 D4
- 3103 C6
- 3104 A7
- 3105 B6
- 3132 G5
- 3134 H6
- 3141 E7
- 3142 E7
- 3143 G7
- 3144 H7
- 3145 F8
- 3146 G13
- 3152 G14
- 3153 G13
- 3154 G13
- 3155 G11
- 3156 C12
- 3157 C12
- 3158 E13
- 3159 D13
- 3160 D12
- 3161 D13
- 3167 F12
- 3168 F11
- 3169 E11
- 3170 C12
- 3172 G12
- 3176 G7
- 3181 E6
- 5102 E2
- 5109 B9
- 5110 B10
- 5111 A8
- 5112 A11
- 5114 A11
- 5119 G9
- 5121 E11
- 5123 G5
- 5130 E5
- 5131 C6
- 5132 B2
- 6105-1 F3
- 6105-2 G5
- 6106 C3
- 6107 G13
- 6120 C13
- 6130 E5
- 6131 D5
- 7101 C8
- 7102 C6
- 7103 H7
- 7111 C13
- 7112 F13
- 7127 F13
- T102 B2
- T103 B2
- T105 F2
- T106 F2
- T109 B6
- T110 F5
- T111 F4
- T112 F7
- T113 A8
- T114 B10
- T115 A8
- T116 F10
- T117 G13
- T118 G11
- T120 F13
- T121 F13
- T122 F13
- T123 E13
- T124 F10

1101 A6 1120 A4 1132 A5 2128 C4 2138 C2 3142 D2 5110 B3 5114 A2 5123 D5 7112 C1 9104 B5 9107 D4
 1102 B6 1130 B5 2106 C5 2129 B4 2144 B2 5102 D6 5111 B4 5119 C2 5130 D3 9101 A2 9105 B1 9108 C4
 1103 D6 1131 D5 2107 B5 2133 D2 2155 C4 5109 A3 5112 A3 5121 B2 5131 D4 9103 B2 9106 B3 9109 D2



2101 B4 2119 D3 2130 D5 2137 A4 2146 B7 2153 C5 2165 C4 3103 C4 3134 D3 3152 A4 3158 A4 3169 B6 4106 C4 6107 C7 7103 D7
 2102 B1 2120 D3 2131 C5 2139 C6 2147 A5 2154 C4 2166 B6 3104 B4 3141 C5 3153 A4 3159 A5 3170 A6 4107 C5 6120 A6 7111 A5
 2103 D4 2124 D3 2132 D6 2140 C6 2148 B6 2159 C5 2167 B6 3105 C4 3143 D6 3154 C7 3160 A5 3172 C7 4108 C5 6130 D4 7119 B5
 2104 B4 2125 D3 2134 D7 2141 C6 2149 D6 2161 A6 2169 A4 3113 B5 3144 B7 3155 C7 3161 A5 3176 D6 6103 B3 6131 C4
 2105 C1 2126 D6 2135 D7 2143 C7 2150 B5 2163 B6 3101 D5 3119 B5 3145 C5 3156 A6 3167 B7 3181 D4 6105 C3 7101 C5
 2112 B5 2127 C5 2136 A4 2145 A5 2152 C5 3102 C3 3132 D5 3146 C7 3157 A6 3168 C7 4103 B5 6106 C3 7102 D4



These assembly drawings show a summary of all possible versions.
 For components used in a specific version see schematic diagram respectively partlist.

TUNER ADJUSTMENT TABLE (ECO6 FM/MW- and FM/MW/LW - versions with AM-frame aerial)

Waverange	Input frequency	Input	Tuned to	Adjust	Output	Scope/Voltmeter
VARICAP ALIGNMENT						
FM 87.5 - 108MHz (65.81 - 74, 87.5 - 108MHz)			108MHz	5130		8V ±0.2V
			87.5MHz (65.81MHz)	check		4.3V ±0.5V (1.2V ±0.5V)
MW FM/AM-version, 10kHz grid 530 - 1700kHz			1700kHz	5123		8V ±0.2V
			530kHz	check		1.1V ±0.4V
FM/MW-version, 9kHz grid 531 - 1602kHz			1602kHz	5123	1	6.9V ±0.2V
			531kHz	check		1.1V ±0.4V
LW 153 - 279kHz			279kHz	5122		8V ±0.2V
			153kHz	check		1.1V ±0.4V
MW FM/MW/LW- version, 9kHz grid 531 - 1602kHz			1602kHz	5123		8V ±0.2V
			531kHz	check		1.1V ±0.4V
FM IF						
FM	10.7MHz, 45mV continuous wave	D		5119	2	0 ± 3 mV DC
FM RF						
FM 87.5 - 108MHz (65.81 - 74, 87.5 - 108MHz)	108MHz	A	108MHz	2155	4	MAX
	87.5MHz (65.81MHz)	mod=1kHz Δf=±22.5kHz	87.5MHz (65.81MHz)	5131		
VCO						
FM	98MHz, 1mV continuous wave	A	98MHz	3142	3	152kHz ±1kHz ¹⁾
AM IF						
MW	450kHz connect pin 6 of IC 7101 (AM Osc.) with 3.3kΩ to Vcc	C		5111	5	
		C		5112		
AM AFC MW		C		5114	2	0 ± 2 mV DC
AM RF³⁾						
MW⁴⁾ FM/MW/LW- and FM/MW-version (9kHz grid)	1494kHz	B	1494kHz	2106	5	
	531 - 1602kHz		558kHz	5102		
LW	198kHz		198kHz	5103		
MW FM/AM-version, 10kHz grid 530 - 1700kHz	1500kHz	B	1500kHz	2106	5	
	560kHz		560kHz	5102		

Use Service Testprogram. By selecting the TUNER TEST test frequencies will be stored as preset frequencies automatically.

- 1) If sensitivity of frequency counter is too low adjust to max. channel separation (input signal: stereo left 90° + 9°, adjust output on right channel to minimum)
- 2) RC network serves for damping the IF-filter while adjusting the other one.
- 3) For AM RF adjustments the original frame antenna has to be used!
- 4) MW has to be aligned before LW.

↑ Repeat

MISCELLANEOUS

1101	2422 015 19376	SOCKET 2P CLICKFIT	USA only
1102	4822 267 10283	SOCKET COAX, IEC 75Ω	not USA
1103	4822 265 31184	JST CONNECTOR 2 POLE	
1120	4822 265 11515	FFC SOCKET, 8P	

CAPACITORS

2101	4822 126 13692	47pF	1%	63V	
2102	4822 126 13838	100nF	10%	50V	not USA
2103	5322 122 31647	1nF	10%	63V	
2104	5322 122 32531	100pF	5%	50V	
2105	4822 126 13838	100nF	10%	50V	USA only
2106	2020 800 00191	3-11pF TRIMCAP.,N450			
2107	4822 121 51319	1μF	20%	50V	
2120	4822 126 13689	18pF	1%	63V	
2124	5322 122 32654	22nF	10%	63V	
2125	2020 552 96199	560pF	1%	50V	
2126	5322 122 31863	330pF	5%	50V	
2127	4822 126 14076	220nF	20%	25V	
2128	4822 124 40248	10μF	20%	63V	
2129	4822 124 41584	100μF	20%	10V	
2130	5322 122 32654	22nF	10%	63V	
2131	4822 126 13482	470nF	20%	16V	
2132	4822 126 13482	470nF	20%	16V	
2133	4822 124 21913	1μF	20%	63V	
2134	4822 126 13188	15nF	5%	63V	not USA
2134	5322 122 32654	22nF	10%	63V	USA only
2135	4822 126 13188	15nF	5%	63V	not USA
2135	5322 122 32654	22nF	10%	63V	USA only
2136	4822 126 14076	220nF	20%	25V	
2137	4822 126 14076	220nF	20%	25V	
2138	4822 124 22652	2,2μF	20%	50V	
2139	4822 126 14236	15pF	5%	50V	
2140	4822 126 13695	82pF	1%	63V	
2141	4822 126 13838	100nF	10%	50V	
2143	4822 126 14076	220nF	20%	25V	
2144	4822 124 21913	1μF	20%	63V	
2145	4822 122 33575	220pF	5%	50V	
2146	4822 122 33575	220pF	5%	50V	
2147	4822 122 33575	220pF	5%	50V	
2148	4822 122 33127	2,2nF	10%	63V	
2149	5322 122 32659	33pF	5%	50V	RDS only
2150	4822 126 13838	100nF	10%	50V	
2152	4822 126 12105	33nF	5%	63V	not for East Europe
2152	5322 116 80853	560pF	5%	63V	for East Europe only
2153	4822 126 13486	15pF	2%	63V	not for East Europe
2153	4822 122 33926	12pF	2%	50V	for East Europe only
2155	2020 800 00191	3-11pF TRIMCAP.,N450			
2159	5322 122 32659	33pF	5%	50V	
2164	4822 126 13482	470nF	20%	16V	
2165	4822 126 13838	100nF	10%	50V	
2166	5322 122 31647	1nF	10%	63V	
2167	4822 122 33926	12pF	5%	50V	
2169	4822 122 33127	2,2nF	10%	63V	RDS only

RESISTORS

3101	4822 051 20333	33kΩ	5%	0,1W
3102	4822 117 10837	100kΩ	1%	0,1W
3103	4822 051 20822	8,2kΩ	5%	0,1W
3104	4822 117 13577	330Ω	1%	0,1W
3105	4822 117 11503	220Ω	5%	0,1W
3132	4822 051 20479	47Ω	5%	0,1W
3134	4822 051 20223	22kΩ	5%	0,1W
3141	4822 117 11148	56kΩ	1%	0,1W
3142	4822 100 12159	TRIMPOT. 100kΩ		

RESISTORS

3143	4822 051 20223	22kΩ	5%	0,1W	RDS only
3144	4822 051 10102	1kΩ	2%	0,25W	RDS only
3145	4822 117 11449	2,2kΩ	1%	0,1W	
3146	4822 051 20229	22Ω	5%	0,1W	
3152	4822 051 20471	470Ω	5%	0,1W	
3153	4822 051 20471	470Ω	5%	0,1W	
3154	4822 117 13577	330Ω	1%	0,1W	
3155	4822 117 11503	220Ω	5%	0,1W	
3156	4822 117 10837	100kΩ	1%	0,1W	
3157	4822 117 10837	100kΩ	1%	0,1W	
3158	4822 051 20471	470Ω	5%	0,1W	
3159	4822 051 20471	470Ω	5%	0,1W	
3160	4822 051 20471	470Ω	5%	0,1W	
3161	4822 051 20223	22kΩ	5%	0,1W	
3167	4822 051 20121	120Ω	5%	0,1W	
3168	4822 051 20121	120Ω	5%	0,1W	
3169	4822 051 20154	150kΩ	5%	0,1W	
3170	4822 117 10837	100kΩ	1%	0,1W	
3172	4822 051 20562	5,6kΩ	5%	0,1W	
3176	4822 051 20333	33kΩ	5%	0,1W	RDS only
3181	4822 051 10102	1kΩ	2%	0,25W	
4103	4822 051 20008	CHIP JUMPER 0805			
4106	4822 051 20008	CHIP JUMPER 0805			
4107	4822 051 20008	CHIP JUMPER 0805			
4108	4822 051 20008	CHIP JUMPER 0805			
COILS					
5102	4822 157 71634	RF-COIL MW			
5109	4822 242 70665	FM-IF FILTER 10,7MHz			
5110	4822 242 70665	FM-IF FILTER 10,7MHz			
5111	2422 549 44023	AM-IF FILTER 450kHz			
5112	4822 157 70302	AM-IF FILTER 450kHz			
5114	4822 157 70302	AM-IF FILTER 450kHz			
5119	4822 157 11443	DISCRIMINATOR COIL			
5121	4822 242 10261	QUARTZ 75kHz			
5123	2422 549 44108	RF-COIL, AM-OSCILLATOR			
5130	4822 157 11843	RF COIL 1,5 TURNS			
5131	4822 157 11843	RF COIL 1,5 TURNS			
DIODES					
6103	5322 130 34337	BAV99			
6105	4822 130 83075	HN1V02H			
6106	4822 130 83757	BAS216			
6107	9340 386 90115	BZX284-C11			
6120	4822 130 83757	BAS216			
6130	4822 130 82833	1SV228			
6131	4822 130 82833	1SV228			
TRANSISTORS					
7102	4822 130 42131	BF550			
7103	5322 130 42756	BC857C			RDS only
7111	5322 130 42755	BC847C			
7112	4822 130 44503	BC547C			
INTEGRATED CIRCUITS					
7101	9351 740 80557	TEA5757H/V1, RADIO IC			

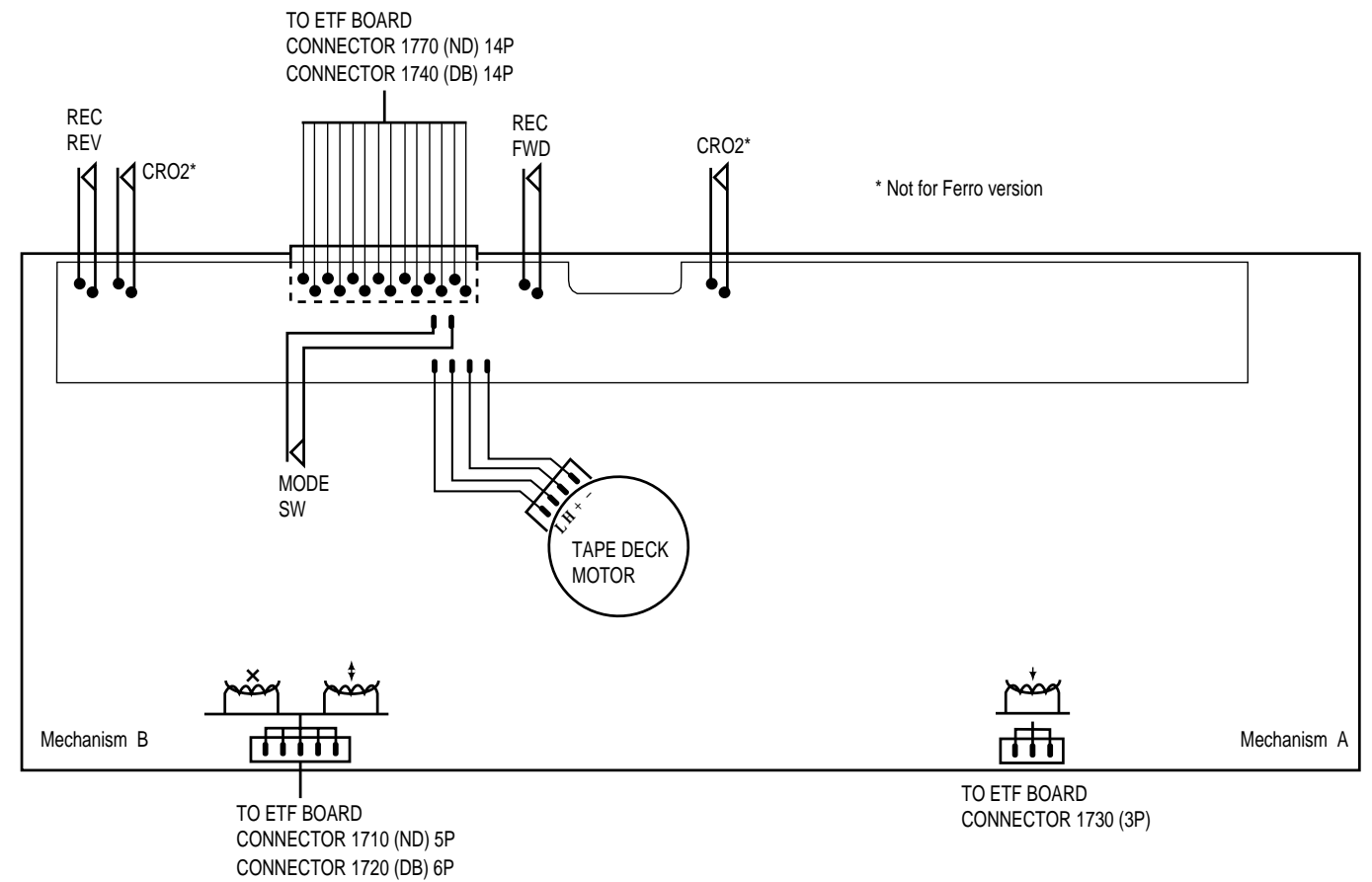
ETF7 TAPE MODULE

(Non-Dolby Version)

TABLE OF CONTENTS

Tape Module Wiring & variation table 9-1
 Block diagram 9-2
 Brief Introduction 9-3
 Connector assignment 9-4
 Tape deck electronics & Tape adjustments 9-5
 ETF7 Non-Dolby board layouts 9-6
 Analog Circuit diagram 9-7
 Servo Circuit diagram 9-8
 Exploded views & parts list 9-9
 Electrical parts list 9-13

Tapedeck wiring (Double deck)

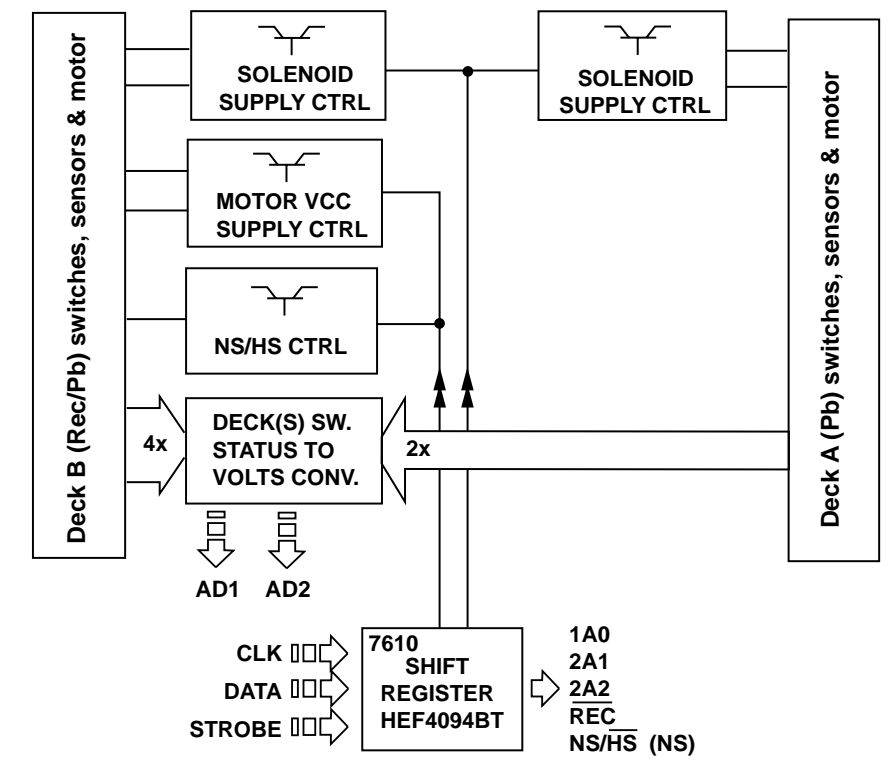
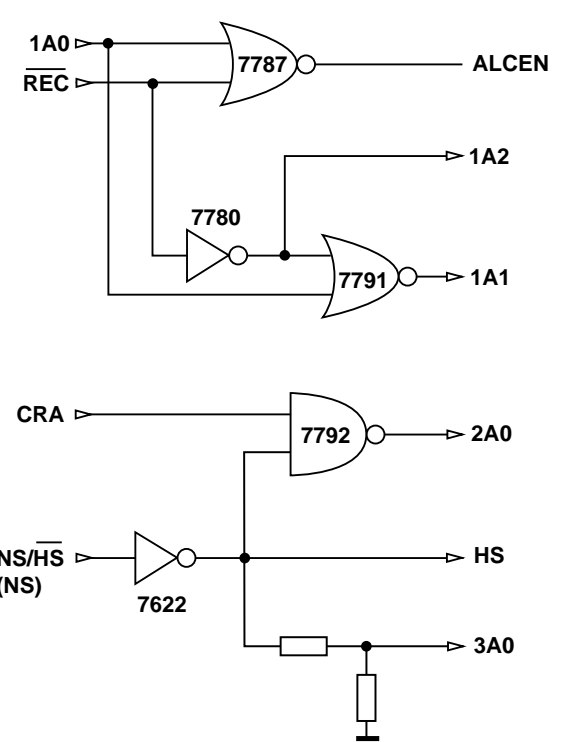
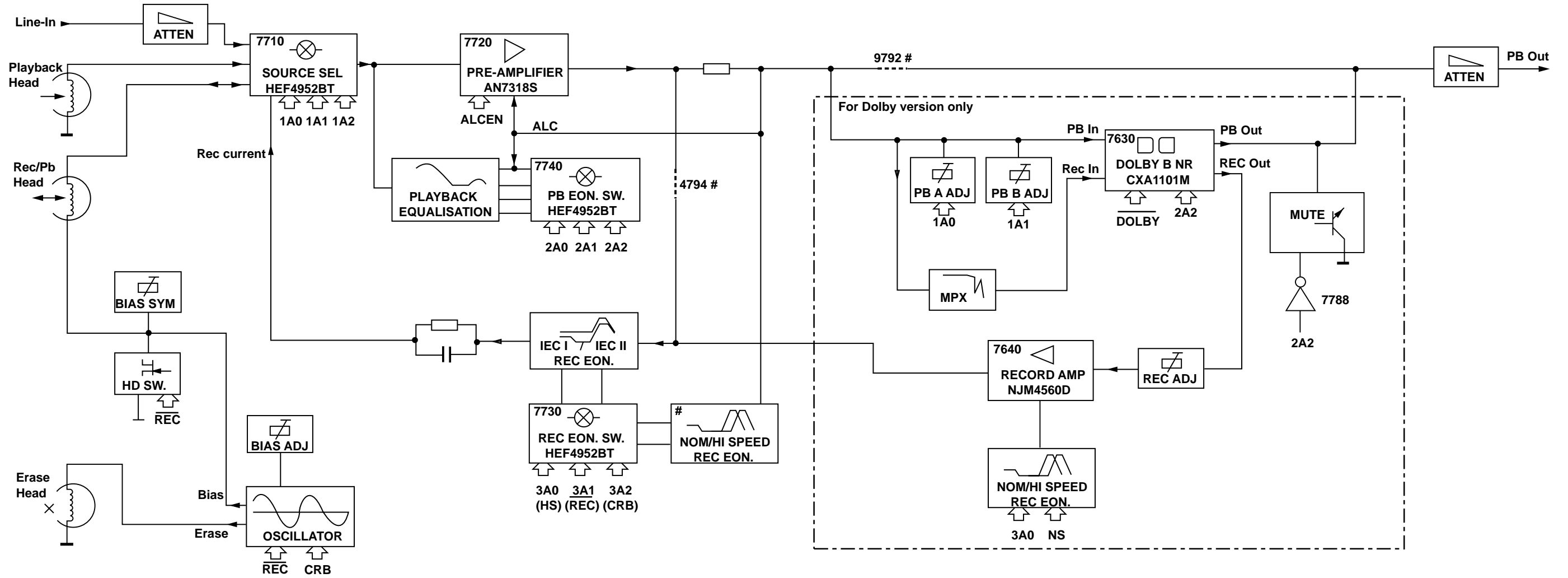


Variations table for Analog Circuit

	Autoreverse	Non-autoreverse	
	ND/DD/FR	ND/DD/FF	FF
	Chrome/Ferro	Chrome/Ferro	Ferro
2624	-	-	100nF
2701 , 2702	150pF	270pF	270pF
2703 , 2704	100pF	220pF	220pF
2717 , 2718	10nF	15nF	15nF
2721 , 2722	6,8nF	6,8nF	-
2727 , 2728	470pF	1nF	1nF
3616	10k	1k	1k
3618	6k8	-	-
3620	10k trimmer	-	-
3622	-	10k trimmer	10k trimmer
3672	4k7	-	-
3676	47k	-	-
3687	220R	220R	-
3688	680R	-	-
3723 , 3724	15k	18k	18k
3725 , 3726	10R	10R	-
3727 , 3728	5k6	6k8	6k8
3729 , 3730	3k3	4k7	4k7
3743 , 3744	1k5	2k2	2k2
3745 , 3746	3k3	5k6	5k6
3754 , 3755	1M	47R	47R

	Autoreverse	Non-autoreverse	
	ND/DD/FR	ND/DD/FF	FF
	Chrome/Ferro	Chrome/Ferro	Ferro
3769	12k	8k2	8k2
3772	6k8	5k6	5k6
4785	-	-	0R jumper
3774	15k	8k2	8k2
6614	1N4148	-	-
7616	BC857B	-	-
7622	BC847B	-	-

BLOCK DIAGRAM



NOTE: # For Non-dolby version only
Only 1 channel is presented.

MicroProcessor Control / Communication lines

Direct / Indirect Control lines from Shift Registers

Brief introduction

General

1. Playback Mode
Signal from the playback head Deck A or Deck B is selected and fed through by the Mode Selector IC7710 (HEF4952BT). The signal is amplified by amplifier IC7720 (AN7323S) before feeding to the IC7740 (HEF4952BT) and out to the AF Board via connector 1701.
2. Recording Mode
Recording Signal is selected and fed through by the Mode Selector IC7710 (HEF4952BT) which is then amplified by the amplifier IC7720 (AN7323S). The amplified output signal will pass through IC7730 (HEF4952BT) for record equalization and back to IC7710 (HEF4952BT) before registered into the Rec/PB Head of Deck B.
3. Dubbing Mode
In Dubbing mode, signal from the playback head Deck A is selected and fed through by the Mode Selector IC7710 (HEF4952BT) which is then equalised for playback mode by the amplifier IC7720 (AN7323S) so that a flat response is obtained after the pre-amp. The equalised signal will then follow the same path as in the Recording mode.
4. Mode Selector
The Mode Selector IC7710 (HEF4952BT) caters for 4 inputs signal, namely Playback Signal from Deck A, Playback Signal from Deck B, Recording Signal and Dubbing Signal.
5. Amplifier PB/REC
Amplifier IC7720 (AN7323S) is for the purpose of amplifying the Playback and Recording signal from the Mode Selector.
6. Automatic Level Control (ALC)
ALC circuit consists of resistors (3760, 3765, 3766, 3767), capacitors (2762, 2763) and control by transistor 7787 (BC847B). ALC limits the amplifier output to a constant value when input signal becomes too large, thus limiting recording current to below saturation level, to prevent recording distortion.
7. Muting Circuit (For Non-Dolby version only)
Switch S4 of the IC7740 (HEF4952BT) is for the purpose of muting the output during Recording mode. During Recording mode, S4 is closed and shorted to the ground.
8. IC7740 (HEF4952BT)
The function of the IC7740 (HEF4952BT) is to change time constant between 120us Ferro (IEC I) and 70us Chrome (IEC II) during playback mode. It will automatically determined whether the tape type is 120us Ferro (IEC I) or 70us Chrome (IEC II). This IC will switch to Flat Gain during the Recording mode.
9. IC7730 (HEF4952BT)
The function of the IC7730 (HEF4952BT) is to change gain and time constant according to tape type and recording speed to boost recording current at higher frequency during recording to compensate for head loss. It will automatically determined whether the tape type is 120us Ferro (IEC I) or 70us Chrome (IEC II).
10. Bias Level
Bias Level making use of the Variable resistor (3773) for adjusting the optimal level of the bias current for Ferro or Chrome.
11. Bias Symm (For Dolby B NR version only)
Bias Symm making use of the Variable resistor (3785) to adjust the bias current for the left and the right channel to be equal.
12. PB Switch
Playback Switch which consists of the FETs 7785 (For Dolby B NR version only) & 7786 (J111) is for the purpose of providing a virtual ground for the Rec/PB Head (Deck B) during Playback mode. During the Playback mode, the FETs are turn on and shorted pin 2 and 4 of connector 1720 to the ground. During Recording mode, the FETs are turn off to allow the oscillator signal to be superposition onto the Recording signal for recording.

13. Motor Speed (For FR versions only)
During High speed dubbing, a feedback signal from the uP through pin 03 of the IC7610 (HEF4094BT) will trigger the transistors 7622 (BC847B) and 7616 (BC857B) to cause a change in the voltage level between High and Low, thus changing the speed of the motor.
14. IC7610 (HEF4094BT)
IC7610 (HEF4094BT) is a Shift Register use for issues the logic for cmos switch ICs (HEF4952BT) via 1A0, 2A1 and 2A2. It also issues logic to On/Off SOL_A, SOL_B and MOT. Recording speed is controlled via NS/HS.

Dolby Circuit (For sets with Dolby B NR version only)

15. IC7630 (CXA1551M)
IC7630 (CXA1551M) in the Dolby circuit is a Dolby Noise Reduction Type B IC for the Playback and Recording signal. Noise Reduction ON/OFF are controlled by DOLBY, which is from CLK, direct from uP. After clocking in DATA, CLK is set to HIGH/LOW for NR OFF/ON.
16. 19kHz Filter
The 19kHz filters 5631 & 5632 (LXD-210) in the Dolby circuit is for the purpose of filtering the 19kHz Pilot Tone (for Tuner signal only) of the Recording signal.
17. Level Adjust
The Variable resistor 3635, 3636, 3641 and 3642 in the Dolby circuit is for adjusting the playback level of the Dolby reference (400Hz, 200nWb/m). Transistor 7631, 7632 are ON to enable adjustment of 3641, 3642 during Playback Deck A. Transistor 7633, 7634 and 3635, 3636 are active for Playback Deck B.
18. Amplifier IC7640 (NJM4560M)
The Amplifiers 7640A & 7640B (NJM4560M) in the Dolby circuit is for the purpose of amplified the Recording signal.
19. Muting Circuit
The muting circuit which consists of transistors 7788, 7789 and 7790 (BC847B) is for the purpose of muting the output during Recording mode.

NOTATIONS & ABBREVIATIONS USED IN THIS DOCUMENT

CR	Chrome (IEC type II)
DB	Dolby NR type B
DD	Double Deck
DM	Double Motor
FE	Ferro (IEC type I)
FF	Non-Autoreverse
FR	Autoreverse Deck B
Gnd x	Ground x
HSD	High speed dubbing
ND	Non Dolby
NR	Noise Reduction
NSD	Normal speed dubbing
PB	Playback
REC	Record
S/A	Sub-assy
SD	Single Deck
SM	Single Motor

CONNECTORS ASSIGNMENTS:**CONNECTOR 1701****INTERCONNECTION TO AF BOARD**

○	1	REC-L	Record input left
○	2	REC-R	Record input right
○	3	GND A	AF Ground
○	4	TAPE-L	Playback output left
○	5	+12V	D.C. supply (+12V) for AF electronics
○	6	TAPE-R	Playback output right
○	7	-CMOS	Negative d.c. supply (-9V) for CMOS ICs

CONNECTOR 1703**INTERCONNECTION TO AF BOARD**

○	1	GND M	Motor Ground
○	2	+MOTOR	D.C. supply (+12V) for tape deck motor & solenoid

CONNECTOR 1706**INTERCONNECTION TO FRONT BOARD**

○	1	AD2	Deck sensing switches output voltage / Deck A EOT
○	2	AD1	Deck sensing switches output voltage / Deck B EOT
○	3	+5V	DC supply +5V for ADC network
○	4	GND P	Control & Oscillator Ground
○	5	CLK	HEF4094BT shift register Clock line
○	6	DATA	HEF4094BT shift register Data line
○	7	STROBE	HEF4094BT shift register Strobe line

CONNECTOR 1710**DECK B HEADS CONNECTOR (For Non-Dolby version only)**

○	1	B R/P HD L+	R/P Head left channel positive
○	2	GND A	R/P Head return ground
○	3	B R/P HD R+	R/P Head right channel positive
○	4	ERASE HEAD	Erase Head
○	5	GND A	Erase Head ground

CONNECTOR 1720**DECK B HEADS CONNECTOR (For Dolby B NR version only)**

○	1	B R/P HD L+	R/P Head left channel positive
○	2	B R/P HD L-	R/P Head left channel negative
○	3	B R/P HD R+	R/P Head right channel positive
○	4	B R/P HD R-	R/P Head right channel negative
○	5	ERASE HEAD	Erase Head
○	6	GND A	Erase Head ground

CONNECTOR 1730**DECK A HEAD CONNECTIONS (For Double Deck versions only)**

○	1	A PB HD L+	Pb Head left channel positive
○	2	GND A	Pb Head return ground shield
○	3	A PB HD R+	Pb Head right channel positive

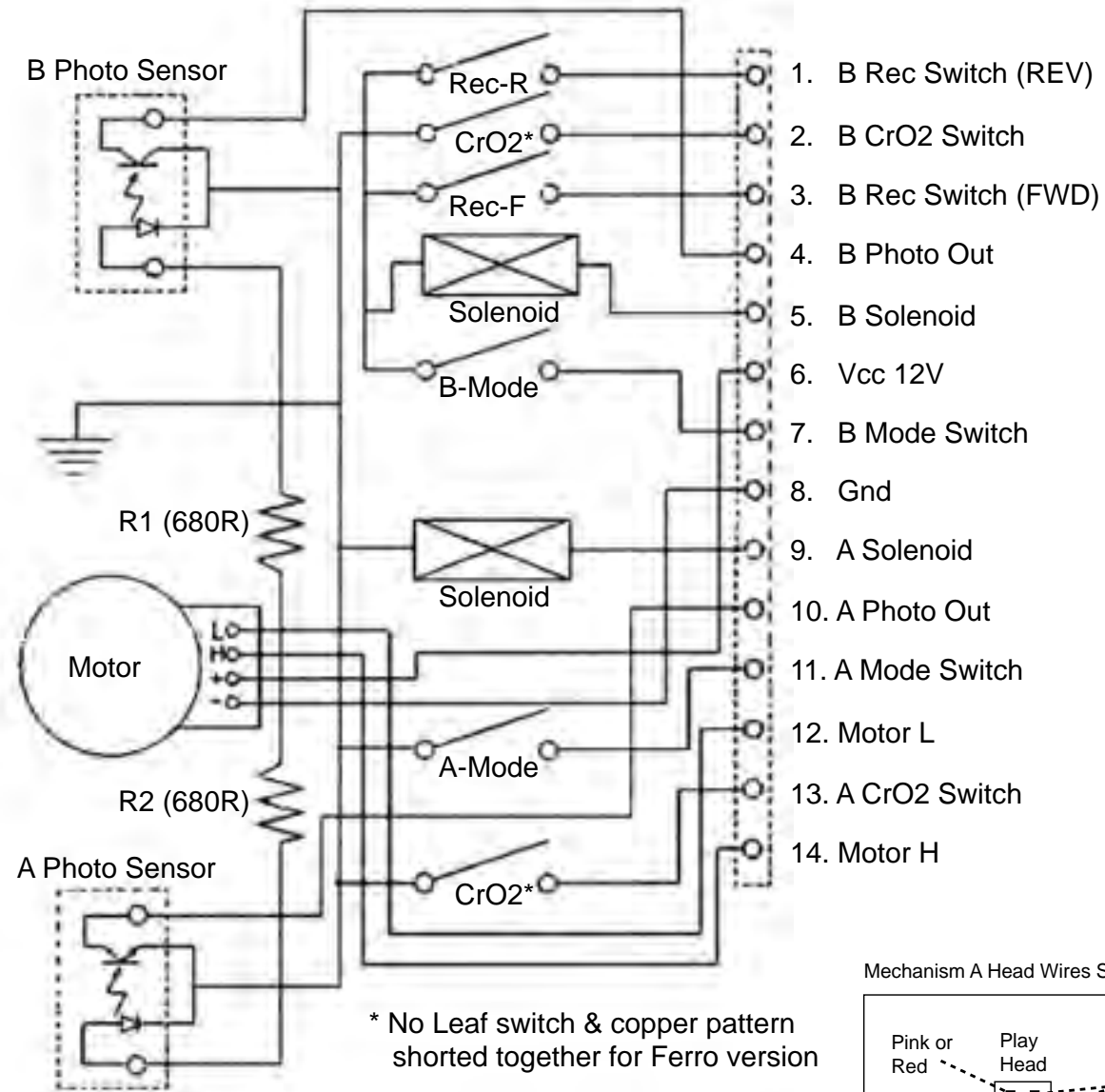
CONNECTOR 1740**DECK A & B CONTROL INTERFACE (For Dolby B NR version only)**

○	1	REC REW	Record tab protection status switch (reverse)	[open=on: close=off]
○	2	CrO2 B	Chrome tape detection switch deck B	[open=Cr: close=Fe]
○	3	REC FWD	Record tab protection status switch (forward)	[open=on: close=off]
○	4	PHOTO B	Photo sensor output (tape movement indication)	
○	5	SOL B	Solenoid supply for deck B	
○	6	Vcc	Deck / Motor supply	
○	7	MODE B	Mode switch (head engagement)	[open=off: close=engaged]
○	8	GND M	Deck / Motor ground	
○	9	SOL A	Solenoid supply for deck A	
○	10	PHOTO A	Photo sensor output (tape movement indication)	
○	11	MODE A	Mode switch (head engagement)	[open=off: close=engaged]
○	12	L	L pin for motor	
○	13	CrO2 A	Chrome tape detection switch deck A	[open=Cr: close=Fe]
○	14	H	H pin for motor	

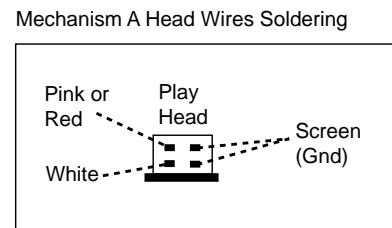
CONNECTOR 1770**DECK A & B CONTROL INTERFACE (For Non-Dolby version only)**

○	1	REC REW	Record tab protection status switch (reverse)	[open=on: close=off]
○	2	CrO2 B	Chrome tape detection switch deck B	[open=Cr: close=Fe]
○	3	REC FWD	Record tab protection status switch (forward)	[open=on: close=off]
○	4	PHOTO B	Photo sensor output (tape movement indication)	
○	5	SOL B	Solenoid supply for deck B	
○	6	Vcc	Deck / Motor supply	
○	7	MODE B	Mode switch (head engagement)	[open=off: close=engaged]
○	8	GND M	Deck / Motor ground	
○	9	SOL A	Solenoid supply for deck A	
○	10	PHOTO A	Photo sensor output (tape movement indication)	
○	11	MODE A	Mode switch (head engagement)	[open=off: close=engaged]
○	12	L	L pin for motor	
○	13	CrO2 A	Chrome tape detection switch deck A	[open=Cr: close=Fe]
○	14	H	H pin for motor	

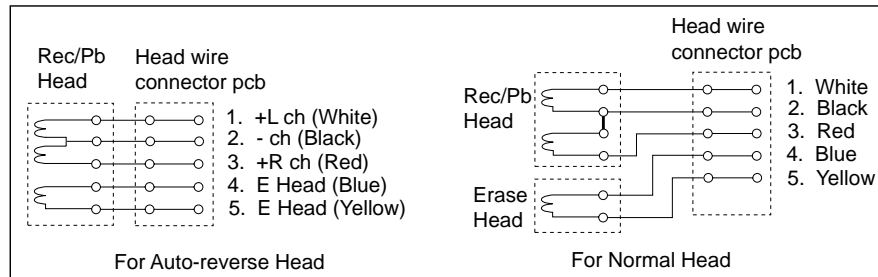
TAPE MECHANISM ELECTRONICS



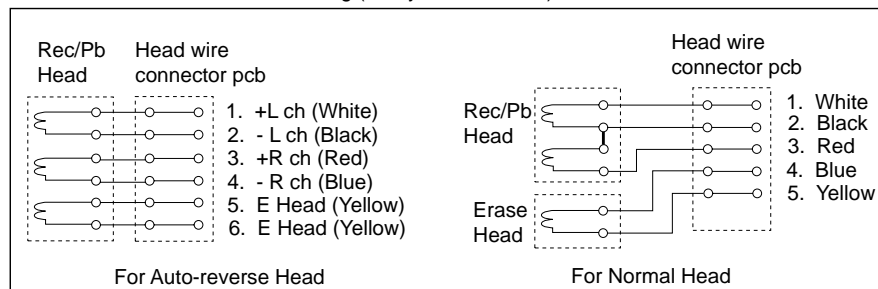
* No Leaf switch & copper pattern shorted together for Ferro version



Mechanism B Head Wires Soldering (Non-Dolby version)



Mechanism B Head Wires Soldering (Dolby B NR version)

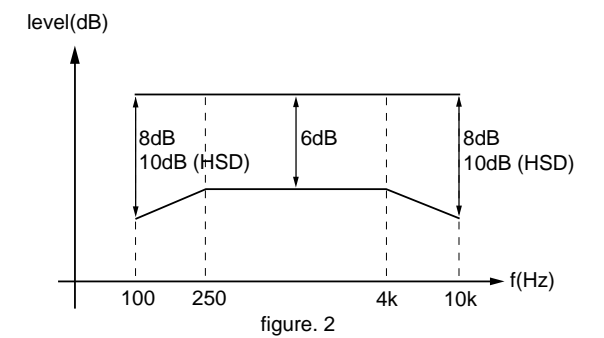
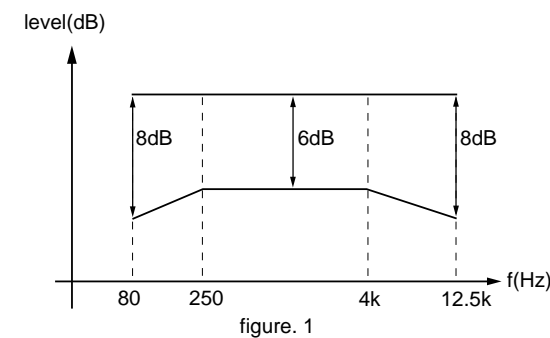


TAPE ADJUSTMENT & CHECK TABLE

	TEST CASSETTE	RECORDER MODE	MEASURE ON	READ ON	ADJUST	
					with	to
ADJUST MOTOR SPEED						
NORMAL SPEED	SBC420 3150Hz	PLAY B	1 or 2	frequency counter	3620	3150Hz +/- 0.5%
		PLAY A	LEFT RIGHT		check	3150Hz -0.8/+1.8%
CHECK WOW & FLUTTER						
DECK A & B	SBC420 3150Hz	PLAY	1 or 2 LEFT RIGHT	W&F-meter	check	<0.4 % DIN
ADJUST AZIMUTH						
DECK A & B	SBC420 10kHz	PLAY FWD	1 or 2	mV-meter	left hand screw	max. output level & left=right
		PLAY REV #	LEFT RIGHT		right hand screw	
CHECK PLAYBACK FREQUENCY RESPONSE						
DECK A & B	SBC420	PLAY	1 or 2 LEFT RIGHT	mV-meter	check	limits see fig.1
ADJUST BIAS CURRENT						
DECK B	SBC419A^	RECORD	5 or 6	mV-meter	3773	995mV
	SBC420		LEFT RIGHT		check	750mV +/- 1.5dB
CHECK OVERALL FREQUENCY RESPONSE AND DISTORTION						
Inject 3mV signals 100Hz, 250Hz, 1kHz, 10kHz, 12.5kHz via 3 or 4	SBC419A^ or SBC420	RECORD B				
	RECORDED CASSETTE	PLAY B	1 or 2 LEFT RIGHT	mV-meter	check	limits see fig. 2 *
Inject 1kHz 8.85mV via 3 or 4	SBC419A^ or SBC420	RECORD B				
	RECORDED CASSETTE	PLAY B	1 or 2 LEFT RIGHT	THD-meter	check	<3% *

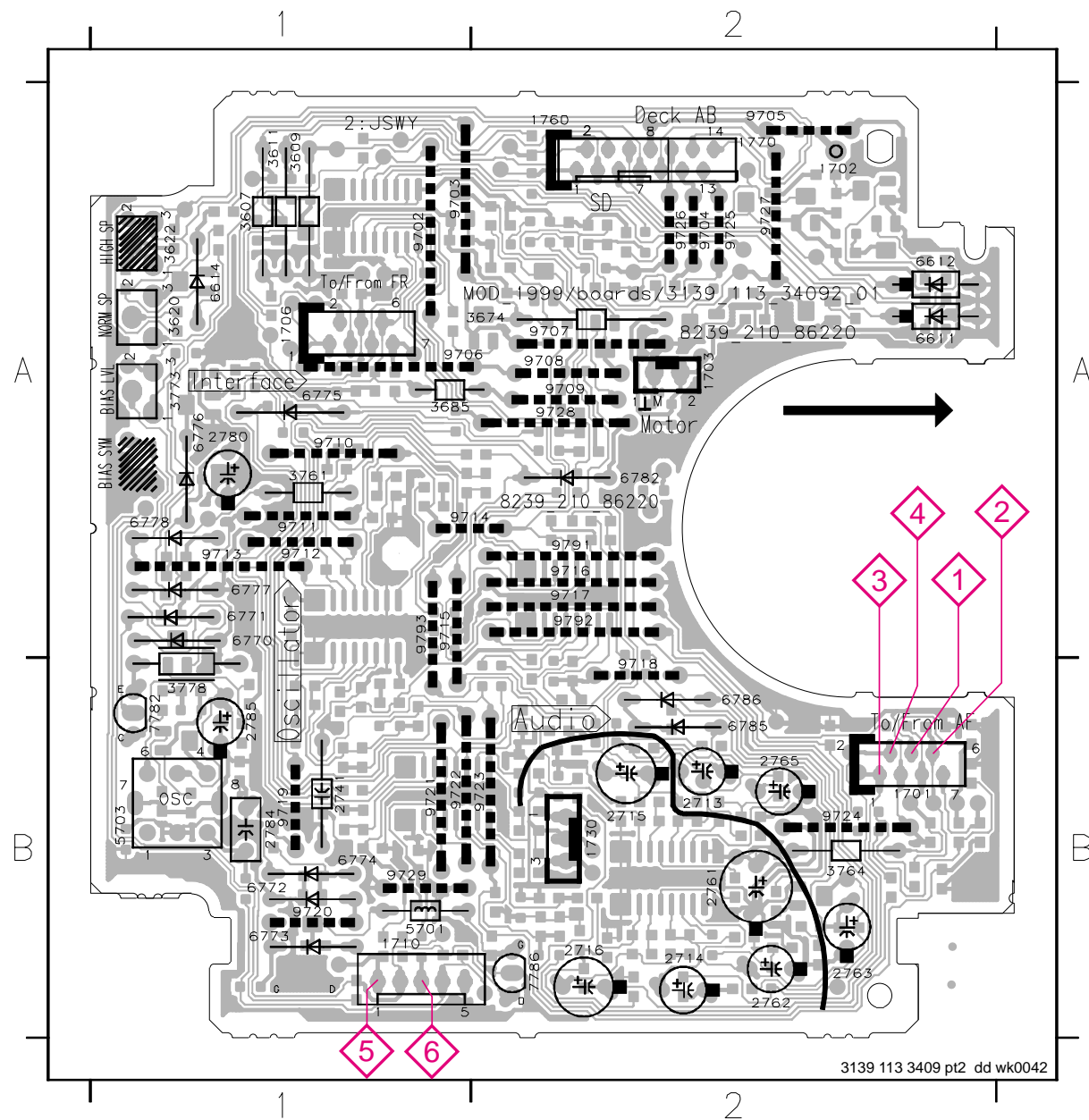
SBC419A^: 4822 397 30069
SBC420 : 4822 397 30071

For Auto-reverse version only
* If high frequencies are not within limits, decrease bias and re-measure. If distortion is too high, increase bias and re-measure
^ Not applicable for Ferro version



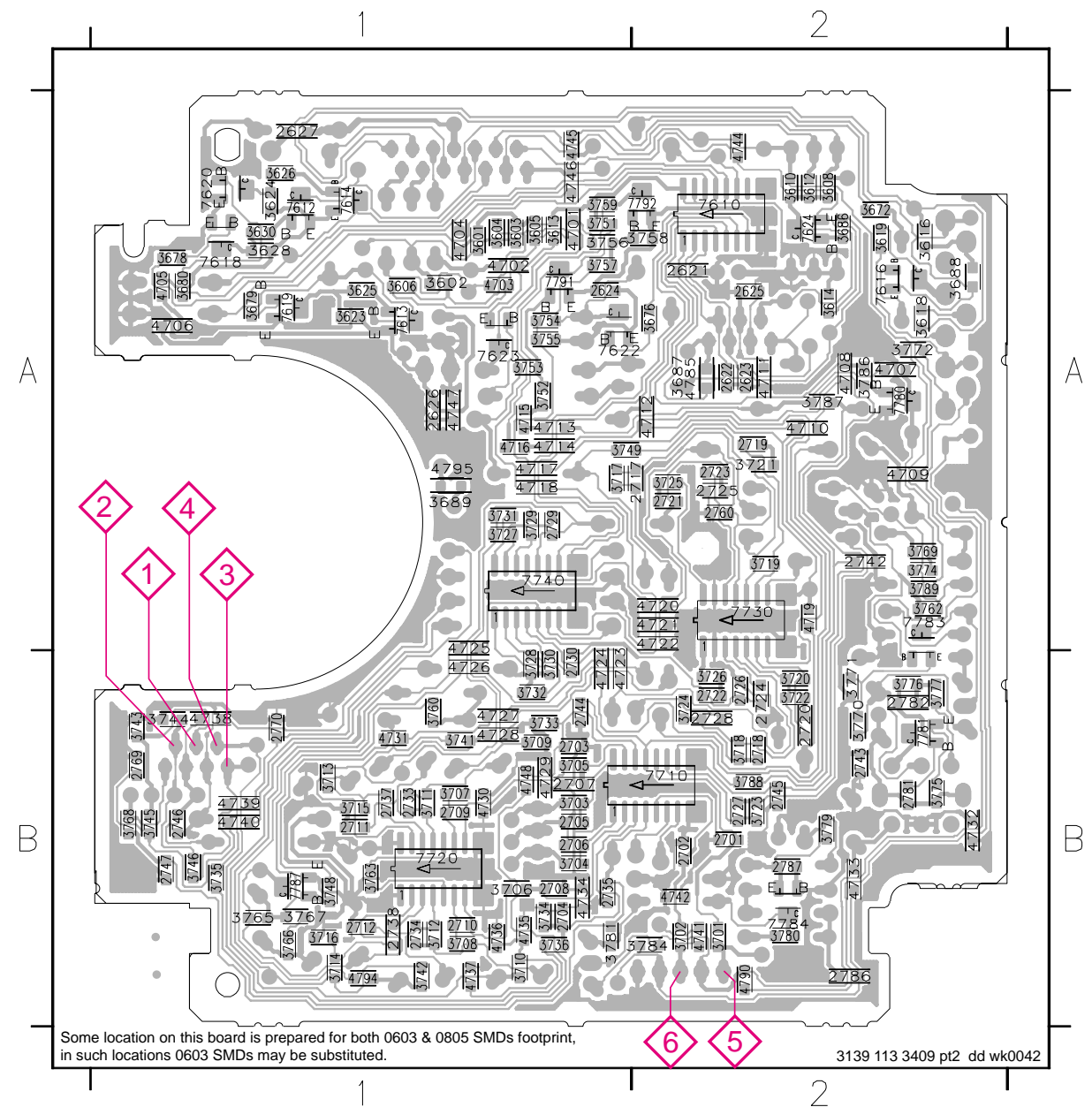
COMPONENT LAYOUT

1701 B2	2714 B2	2784 B1	3761 A1	6770 A1	6782 A2	9706 A1	9715 A1	9724 B2
1702 A2	2715 B2	2785 B1	3764 B2	6771 A1	6785 B2	9707 A2	9716 A2	9725 A2
1703 A2	2716 B2	3607 A1	3773 A1	6772 B1	6786 B2	9708 A2	9717 A2	9726 A2
1706 A1	2741 A1	3609 A1	3778 B1	6773 B1	7782 B1	9709 A2	9718 B2	9727 A2
1710 B1	2761 B2	3611 A1	5701 B1	6774 B1	7786 B2	9710 A1	9719 B1	9728 A2
1730 B2	2762 B2	3620 A1	5703 B1	6775 A1	9702 A1	9711 A1	9720 B1	9729 B1
1760 A2	2763 B2	3622 A1	6611 A2	6776 A1	9703 A1	9712 A1	9721 B1	9791 A2
1770 A2	2765 B2	3674 A2	6612 A2	6777 A1	9704 A2	9713 A1	9722 B1	9792 A2
2713 B2	2780 A1	3685 A1	6614 A1	6778 A1	9705 A2	9714 A1	9723 B2	9793 A1



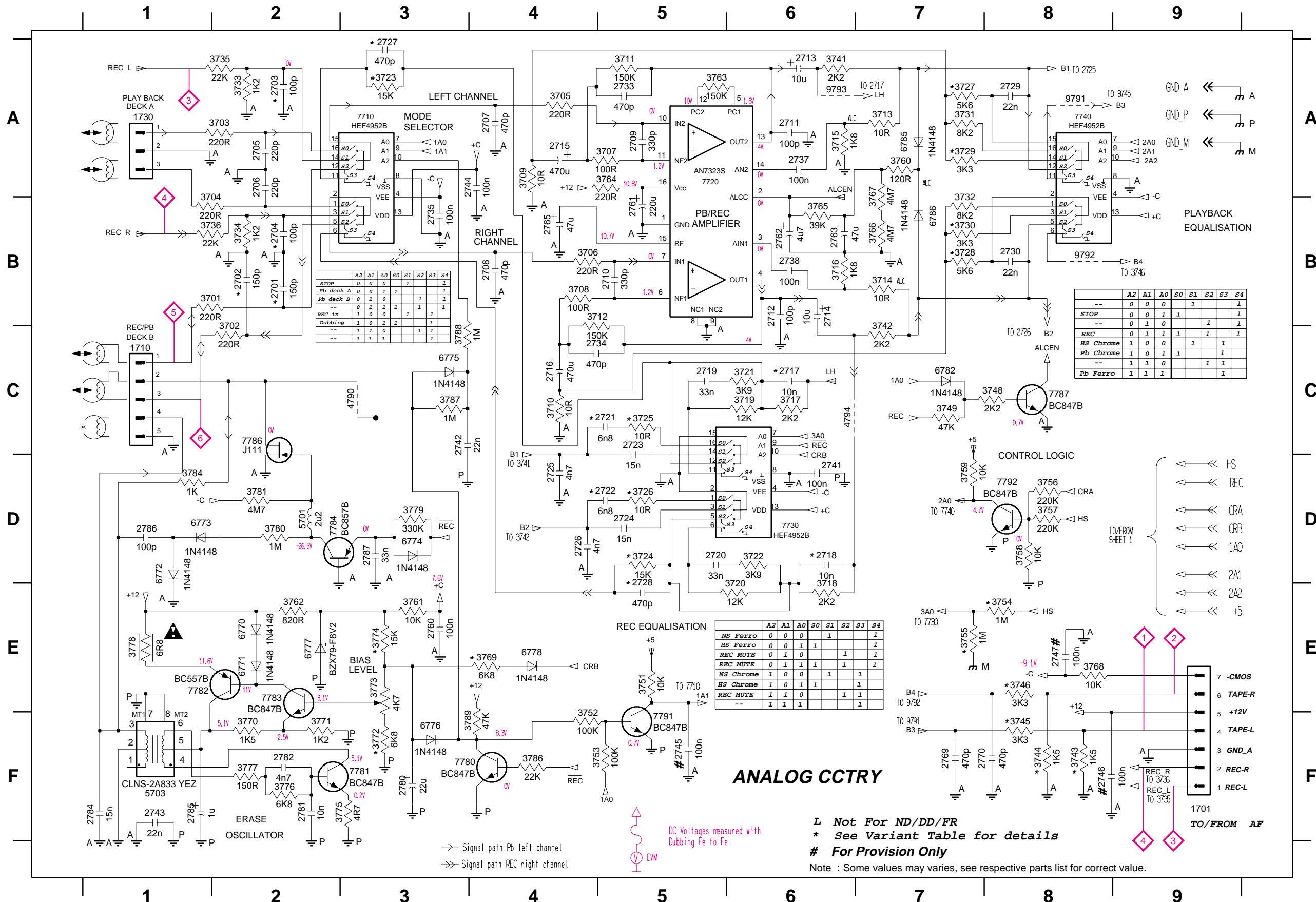
CHIP LAYOUT

2621 A2	2724 B2	3602 A1	3688 A2	3725 A2	3757 A1	4701 A1	4727 B1	7612 A1
2622 A2	2725 A2	3603 A1	3689 A1	3726 B2	3758 A2	4702 A1	4728 B1	7613 A1
2623 A2	2726 B2	3604 A1	3701 B2	3727 A1	3759 A1	4703 A1	4729 B1	7614 A1
2624 A1	2727 B2	3605 A1	3702 B2	3728 B1	3760 B1	4704 A1	4730 B1	7616 A2
2625 A2	2728 B2	3606 A1	3703 B1	3729 A1	3762 A2	4705 A1	4731 A1	7618 A1
2626 A1	2729 A1	3608 A2	3704 B1	3730 B1	3763 B1	4706 A1	4732 B2	7619 A1
2627 A1	2730 B1	3610 A2	3705 B1	3731 A1	3765 B1	4707 A2	4733 B2	7620 A1
2701 B2	2733 B1	3612 A2	3706 B1	3732 B1	3766 B1	4708 A2	4734 B1	7622 A1
2702 B2	2734 B1	3613 A1	3707 B1	3733 B1	3767 B1	4709 A2	4735 B1	7623 A1
2703 B1	2735 B1	3614 A2	3708 B1	3734 B1	3768 B1	4710 A2	4736 B1	7624 A2
2704 B1	2737 B1	3616 A2	3709 B1	3735 B1	3769 A2	4711 A2	4737 B1	7710 B2
2705 B1	2738 B1	3618 A2	3710 B1	3736 B1	3770 B2	4712 A2	4738 B1	7720 B1
2706 B1	2742 A2	3619 A2	3711 B1	3737 B1	3771 B2	4713 A1	4739 B1	7730 A2
2707 B1	2743 B2	3623 A1	3712 B1	3742 B1	3772 A2	4714 A1	4740 B1	7740 A1
2708 B1	2744 B1	3624 A1	3713 B1	3743 B1	3774 A2	4715 A1	4741 B2	7780 A2
2709 B1	2745 B2	3625 A1	3714 B1	3744 B1	3775 B2	4716 A1	4742 B2	7781 B2
2710 B1	2746 B1	3626 A1	3715 B1	3745 B1	3776 B2	4717 A1	4744 A2	7783 A2
2711 B1	2747 B1	3628 A1	3716 B1	3746 B1	3777 B2	4718 A1	4745 A1	7784 B2
2712 B1	2760 A2	3630 A1	3717 A1	3748 A1	3779 B2	4719 A2	4746 A1	7787 B1
2717 A2	2769 B1	3672 A2	3718 B2	3749 A1	3780 B2	4720 A2	4747 A1	7791 A1
2718 B2	2770 B2	3676 A2	3719 A2	3751 A1	3781 B1	4721 A2	4748 B1	7792 A2
2719 A2	2781 B2	3678 A1	3720 B2	3752 A1	3784 B2	4722 A2	4785 A2	
2720 B2	2782 B2	3679 A1	3721 A2	3753 A1	3786 A2	4723 B1	4790 B2	
2721 A2	2786 B2	3680 A1	3722 B2	3754 A1	3787 A2	4724 A1	4794 B1	
2722 B2	2787 B2	3686 A2	3723 B2	3755 A1	3788 B2	4725 A1	4795 A1	
2723 A2	3601 A1	3687 A2	3724 B2	3756 A1	3789 A2	4726 B1	7610 A2	



ANALOG CIRCUIT

1701 F9	2705 A2	2712 B6	2719 C5	2726 D4	2735 B3	2745 F5	2765 B4	2785 F1	3705 A4	3712 B4	3719 C6	3726 D5	3733 A2	3744 F8	3753 F5	3760 A7	3767 A7	3774 E3	3781 D2	4794 C6	6774 D3	6786 B7	7782 E1	9791 A8
1710 C1	2706 A2	2713 A6	2720 D5	2727 A3	2737 A6	2746 F8	2769 F7	2786 D1	3706 B4	3713 A7	3720 E6	3727 A7	3734 B2	3745 F8	3754 E8	3761 E3	3768 E8	3775 F3	3784 D1	5701 D2	6775 C3	6788 A3	7783 E2	9792 B8
1730 A1	2707 A4	2714 B6	2721 C5	2728 E5	2738 B6	2747 E8	2770 F8	2787 D3	3707 A5	3714 B7	3721 C6	3728 B7	3735 A2	3746 E8	3755 E7	3762 E2	3769 E4	3776 F2	3786 F4	5703 F1	6776 F3	6789 A5	7784 D2	9793 A6
2701 B2	2708 B4	2715 A4	2722 D5	2729 A8	2741 D6	2760 E3	2780 F3	3701 B1	3708 B4	3715 A6	3722 D6	3729 A7	3736 B1	3748 C8	3756 D8	3763 A5	3770 F2	3777 F2	3787 C3	6770 E2	6777 E2	7730 D6	7786 C2	
2702 B2	2709 A5	2716 C4	2723 C5	2730 B8	2742 C3	2761 B5	2781 F2	3702 C2	3709 A4	3716 B6	3723 A3	3730 B7	3741 A6	3749 C7	3757 D8	3764 A5	3771 F2	3778 E1	3788 C3	6771 E2	6778 E4	7740 A8	7787 C8	
2703 A2	2710 B5	2717 C6	2724 D5	2733 A5	2743 F1	2762 B6	2782 F2	3703 A2	3710 C4	3717 C6	3724 D5	3731 A7	3742 C7	3751 E5	3758 D8	3765 B6	3772 F3	3779 D3	3789 F4	6772 D1	6782 C7	7780 F4	7791 F5	
2704 B2	2711 A6	2718 D6	2725 D4	2734 C4	2744 A4	2763 B6	2784 F1	3704 B1	3711 A5	3718 E6	3725 C5	3732 B7	3743 F8	3752 F4	3759 D7	3766 B7	3773 E3	3780 D2	4790 C3	6773 D1	6785 A7	7781 F3	7792 D8	



STOP	A2	A1	A0	S0	S1	S2	S3	S4
Pb deck A	0	0	1	1	1	1	1	1
Pb deck B	0	1	1	1	1	1	1	1
REC In	1	0	0	1	1	1	1	1
Dubbing	1	1	0	1	1	1	1	1
--	1	1	1	1	1	1	1	1

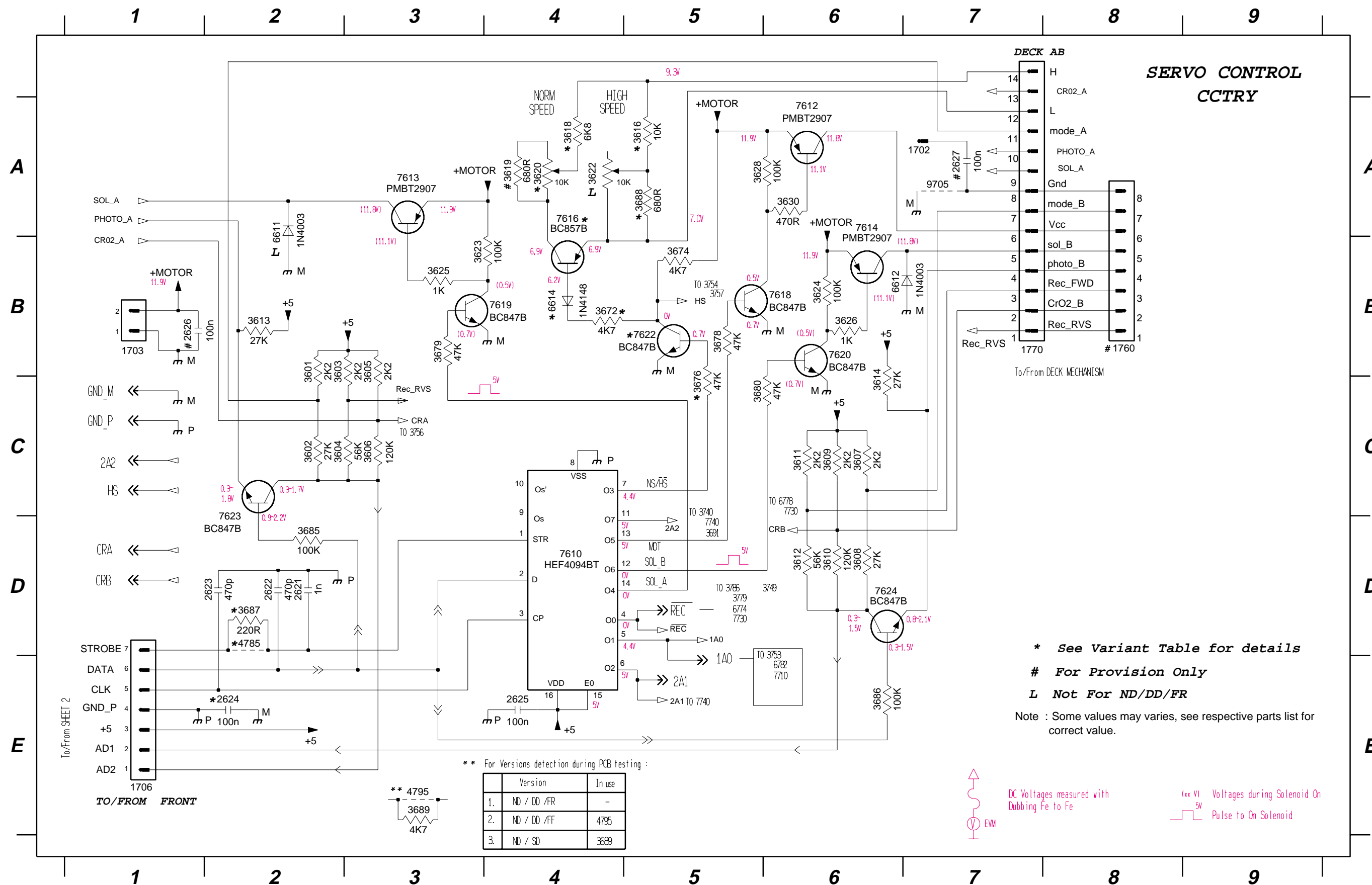
STOP	A2	A1	A0	S0	S1	S2	S3	S4
--	0	0	0	1	1	1	1	1
REC	0	1	1	1	1	1	1	1
HS Chrome	1	0	0	1	1	1	1	1
Pb Chrome	1	0	1	1	1	1	1	1
--	1	1	0	1	1	1	1	1
Pb Ferro	1	1	1	1	1	1	1	1

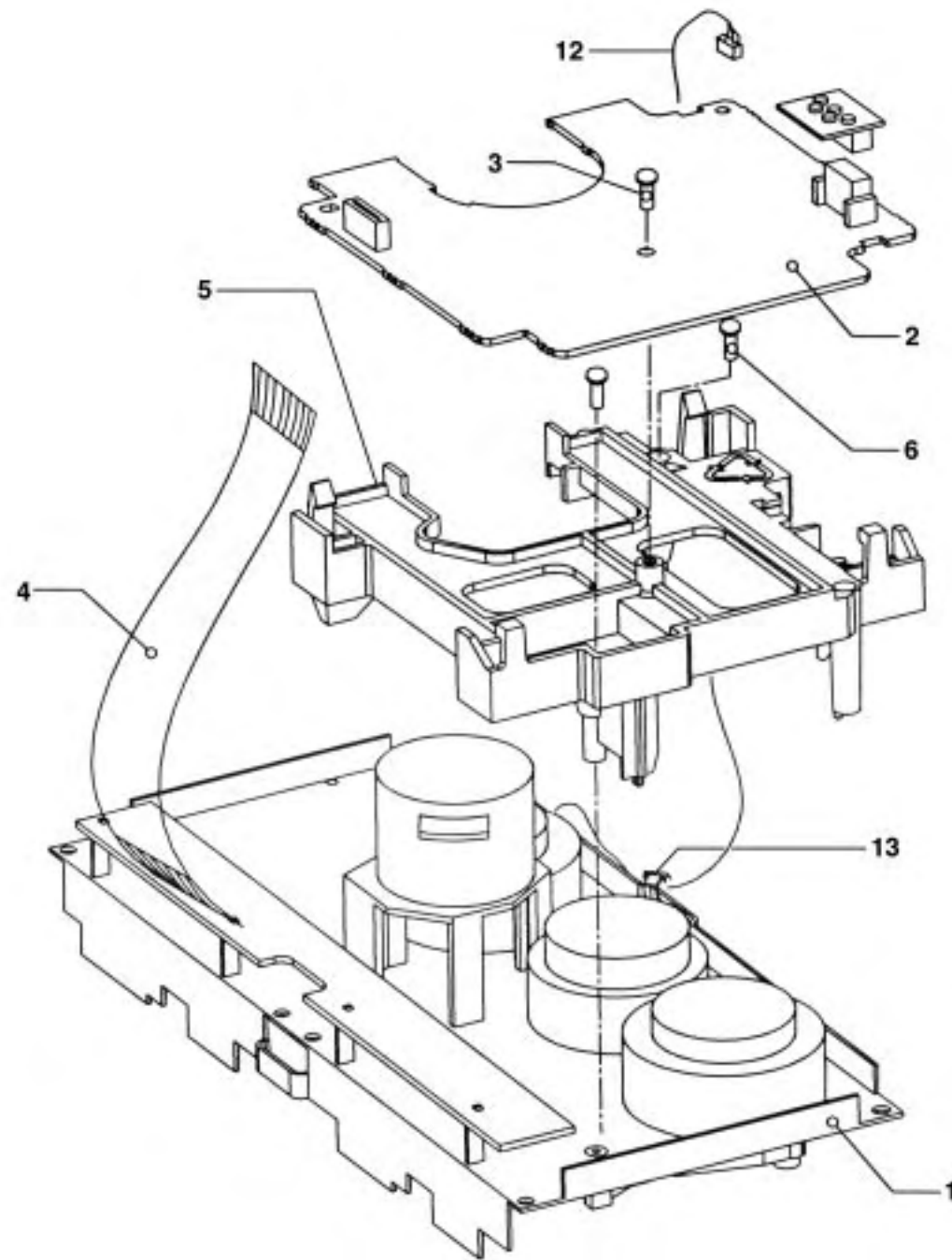
REC EQUALISATION	A2	A1	A0	S0	S1	S2	S3	S4
NS Ferro	0	0	0	1	1	1	1	1
HS Ferro	0	0	1	1	1	1	1	1
REC MUTE	0	1	0	1	1	1	1	1
NS Chrome	1	0	0	1	1	1	1	1
HS Chrome	1	0	1	1	1	1	1	1
REC MUTE	1	1	0	1	1	1	1	1
--	1	1	1	1	1	1	1	1

- ← HS
- ← REC
- ← CRA
- ← CRB
- ← 1A0
- ← 2A1
- ← 2A2
- ← +5

SERVO CONTROL CIRCUIT

1702 A7	1760 B8	2622 D2	2625 E4	3601 B2	3604 C2	3607 C6	3610 D6	3613 B2	3618 A4	3622 A4	3625 B3	3630 A6	3676 C5	3680 C5	3687 D2	4785 D2	6612 B6	7612 A6	7616 A4	7620 B6	7624 D6
1703 B1	1770 B7	2623 D2	2626 B1	3602 C2	3605 B3	3608 D6	3611 C6	3614 C6	3619 A4	3623 B3	3626 B6	3672 B4	3678 B5	3685 D2	3688 A5	4795 E3	6614 B4	7613 A3	7618 B6	7622 B5	9705 A7
1706 E1	2621 D2	2624 E2	2627 A7	3603 B2	3606 C3	3609 C6	3612 D6	3616 A5	3620 A4	3624 B6	3628 A5	3674 B5	3679 B3	3686 E6	3689 E3	6611 A2	7610 D4	7614 A6	7619 B4	7623 D2	



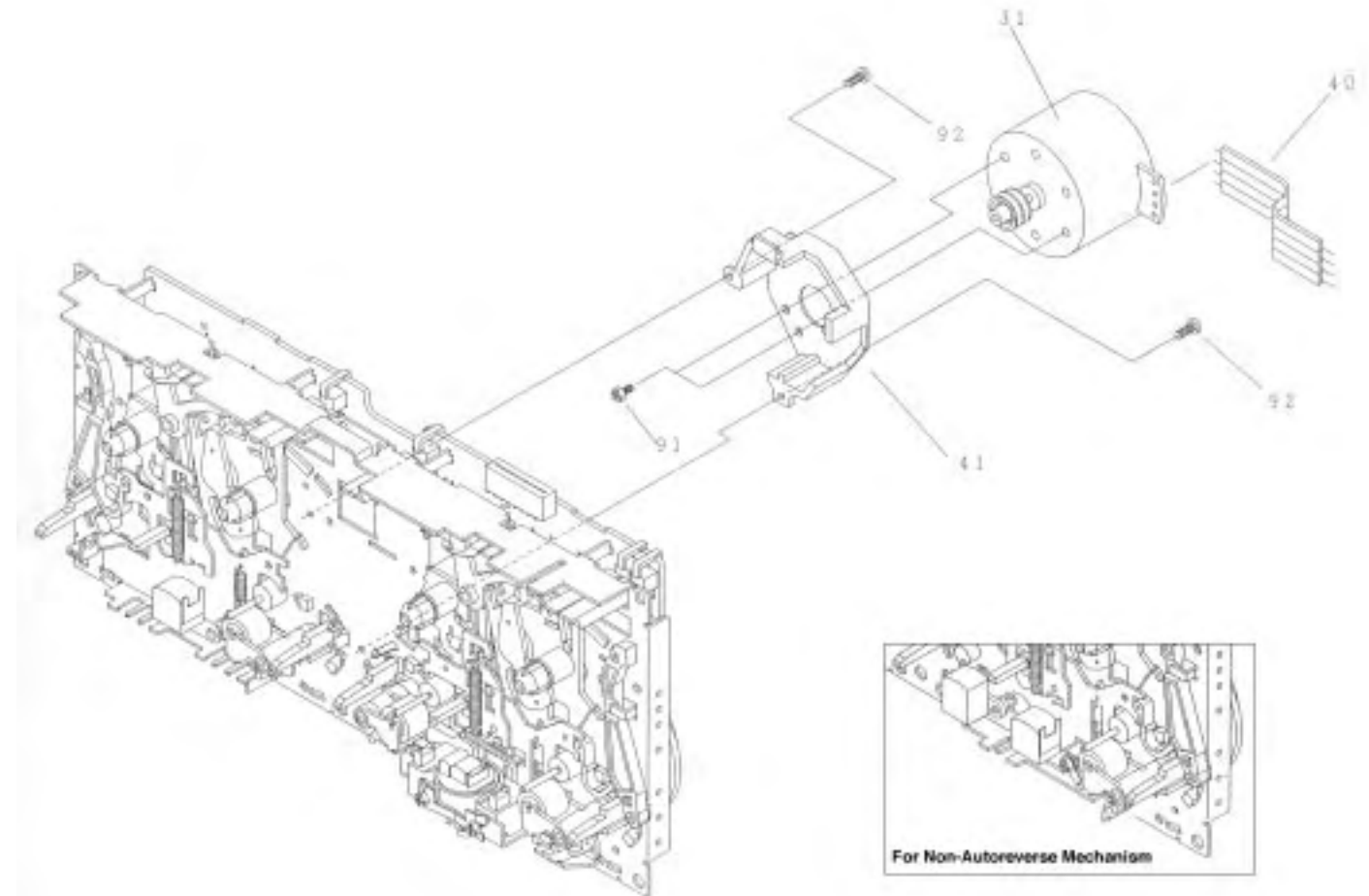


3139 118 77070 (incl. ...77060) dd wr226

TAPE MODULE EXPLODED VIEW

1	3139 118 77130	Autoreverse Mech. CWE44FR01
1	3139 118 77140	Non-Autoreverse Mech. CWE44FF02 Chrome/Ferro
1	3139 118 77950	Non-Autoreverse Mech. CWE44FF05 Ferro
3	-	Screw D3 x 10
6	-	Screw M2 x 16
7	3139 110 34080	Flex Cable 14 pin 7,5 cm

Note: Only the parts mentioned in this list are normal service spare parts.

**TAPE MECHANISM - MOTOR EXPLODED VIEW**

31	4822 361 11055	Motor Assembly
91	-	Screw M2,6 x 5
92	-	Screw M2 x 5

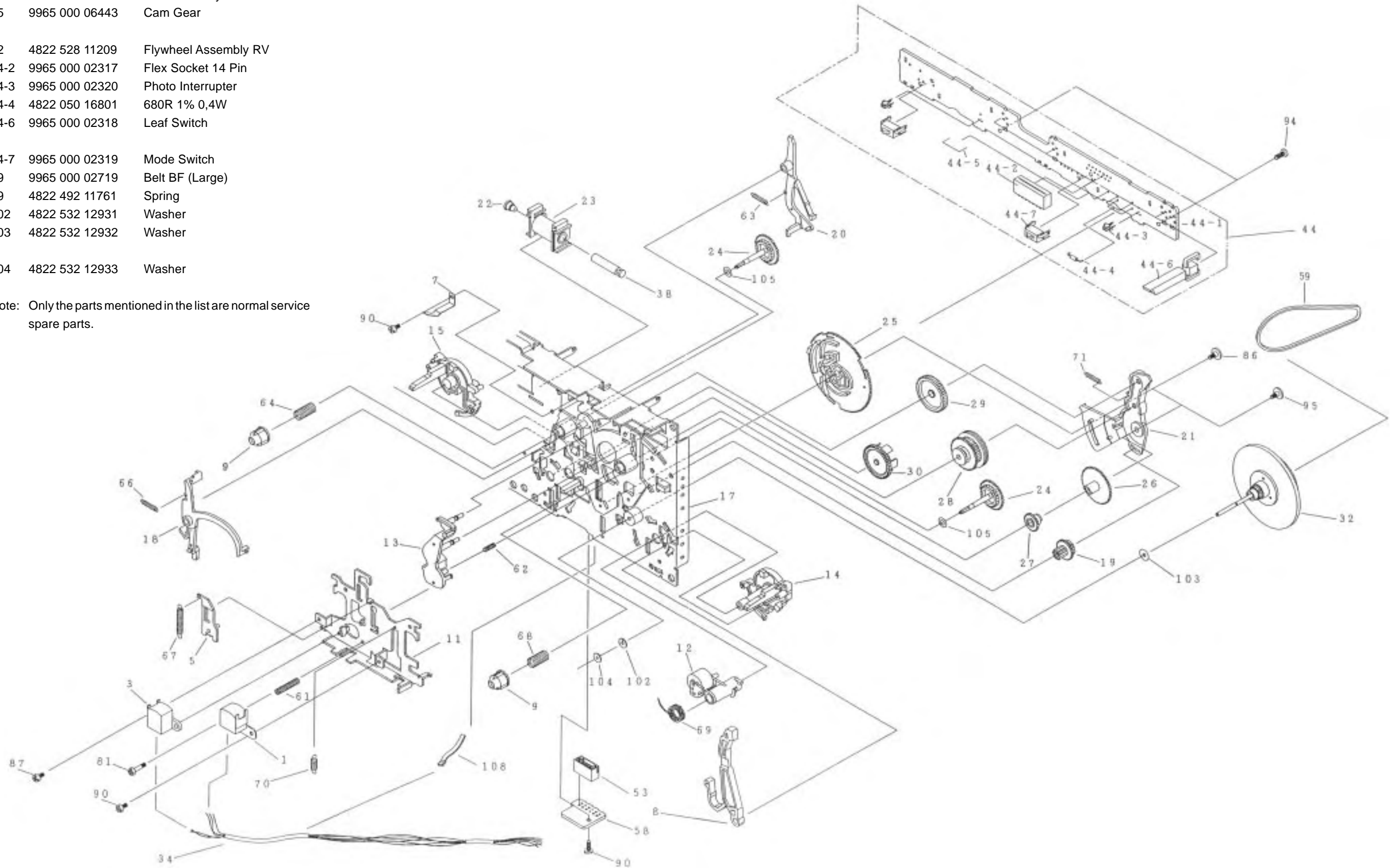
Note: Only the parts mentioned in this list are normal service spare parts.

TAPE MECHANISM B - RECORD/PLAYBACK (Non-Autoreverse version)

MECHANICAL PARTS - REC/PB MECHANISM

1	9965 000 02313	Play Head
3	9965 000 02600	Head, Erase
12	4822 402 10972	Pinch Arm Assembly R
23	9965 000 02314	Coil Assembly
25	9965 000 06443	Cam Gear
32	4822 528 11209	Flywheel Assembly RV
44-2	9965 000 02317	Flex Socket 14 Pin
44-3	9965 000 02320	Photo Interrupter
44-4	4822 050 16801	680R 1% 0,4W
44-6	9965 000 02318	Leaf Switch
44-7	9965 000 02319	Mode Switch
59	9965 000 02719	Belt BF (Large)
69	4822 492 11761	Spring
102	4822 532 12931	Washer
103	4822 532 12932	Washer
104	4822 532 12933	Washer

Note: Only the parts mentioned in the list are normal service spare parts.

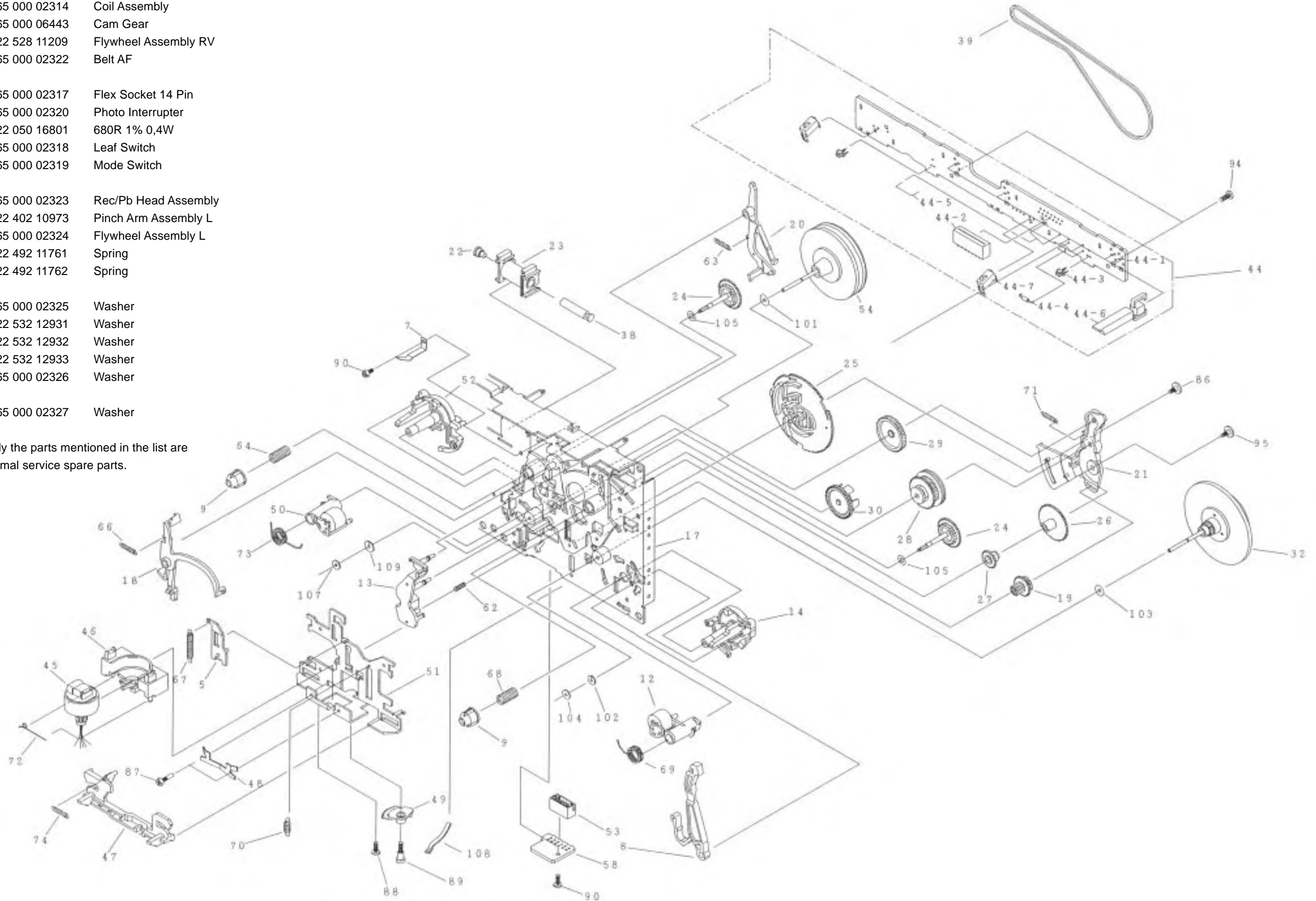


TAPE MECHANISM B - RECORD/PLAYBACK (Autoreverse version)

MECHANICAL PARTS - REC/PB MECHANISM

12	4822 402 10972	Pinch Arm Assembly R
23	9965 000 02314	Coil Assembly
25	9965 000 06443	Cam Gear
32	4822 528 11209	Flywheel Assembly RV
39	9965 000 02322	Belt AF
44-2	9965 000 02317	Flex Socket 14 Pin
44-3	9965 000 02320	Photo Interrupter
44-4	4822 050 16801	680R 1% 0,4W
44-6	9965 000 02318	Leaf Switch
44-7	9965 000 02319	Mode Switch
45	9965 000 02323	Rec/Pb Head Assembly
50	4822 402 10973	Pinch Arm Assembly L
54	9965 000 02324	Flywheel Assembly L
69	4822 492 11761	Spring
73	4822 492 11762	Spring
101	9965 000 02325	Washer
102	4822 532 12931	Washer
103	4822 532 12932	Washer
104	4822 532 12933	Washer
107	9965 000 02326	Washer
109	9965 000 02327	Washer

Note: Only the parts mentioned in the list are normal service spare parts.



ELECTRICAL PARTS LIST - ETF7 NON-DOLBY BOARD

MISCELLANEOUS

1701	482226710953	Flex Socket 7pin Vert.
1706	482226710953	Flex Socket 7pin Vert.
1770	482226751255	Flex Socket 14pin Vert.

CAPACITORS

2621	532212231647	1nF 10% 63V
2622	532212234099	470pF 10% 63V
2623	532212234099	470pF 10% 63V
2624	482212614585	100nF 10% 50V only for Ferro
2625	482212614585	100nF 10% 50V
2701	532212233538	150pF 2% 63V Autoreverse
2701	482212233216	270pF 5% 63V Non-autoreverse
2702	532212233538	150pF 2% 63V Autoreverse
2702	482212233216	270pF 5% 63V Non-autoreverse
2703	532212232531	100pF 5% 50V Autoreverse
2703	482212233575	220pF 5% 63V Non-autoreverse
2704	532212232531	100pF 5% 50V Autoreverse
2704	482212233575	220pF 5% 63V Non-autoreverse
2705	482212233575	220pF 5% 63V
2706	482212233575	220pF 5% 63V
2707	532212234099	470pF 10% 63V
2708	532212234099	470pF 10% 63V
2709	532212231863	330pF 5% 63V
2710	532212231863	330pF 5% 63V
2711	532212232531	100pF 5% 50V
2712	532212232531	100pF 5% 50V
2713	482212440248	10μF 20% 63V
2714	482212440248	10μF 20% 63V
2715	482212480195	470μF 20% 10V
2716	482212480195	470μF 20% 10V
2717	482212233177	10nF 20% 50V Autoreverse
2717	482212613188	15nF 5% 63V Non-autoreverse
2718	482212233177	10nF 20% 50V Autoreverse
2718	482212613188	15nF 5% 63V Non-autoreverse
2719	482212612105	33nF 5% 50V
2720	482212612105	33nF 5% 50V
2721	532212231866	6,8nF 10% 63V not for Ferro
2722	532212231866	6,8nF 10% 63V not for Ferro
2723	482212613188	15nF 5% 63V
2724	482212613188	15nF 5% 63V
2725	532212610223	4,7nF 10% 63V
2726	532212610223	4,7nF 10% 63V
2727	532212234099	470pF 10% 63V Autoreverse
2727	532212231647	1nF 10% 63V Non-autoreverse
2728	532212234099	470pF 10% 63V Autoreverse
2728	532212231647	1nF 10% 63V Non-autoreverse
2729	532212232654	22nF 10% 63V
2730	532212232654	22nF 10% 63V
2733	532212234099	470pF 10% 63V
2734	532212234099	470pF 10% 63V
2735	482212614585	100nF 10% 50V
2737	482212614585	100nF 10% 50V

2738	482212614585	100nF 10% 50V
2741	482212611585	22nF +80/-20% 25V
2742	532212232654	22nF 10% 63V
2743	532212232654	22nF 10% 63V
2744	482212614585	100nF 10% 50V
2760	482212614585	100nF 10% 50V
2761	482212480144	220μF 20% 25V
2762	482212440769	4,7μF 20% 100V
2763	482212440433	47μF 20% 25V
2765	482212440433	47μF 20% 25V
2769	532212234099	470pF 10% 63V
2770	532212234099	470pF 10% 63V
2780	482212481151	22μF 20% 50V
2781	482212233177	10nF 20% 50V
2782	532212610223	4,7nF 10% 63V
2784	482212151305	15nF 10% 50V
2785	482212421913	1μF 20% 63V
2786	532212232531	100pF 5% 50V
2787	482212612105	33nF 5% 50V

RESISTORS

3601	482211711449	2k2 1% 0,1W
3602	482205120273	27k 5% 0,1W
3603	482211711449	2k2 1% 0,1W
3604	482211711148	56k 1% 0,1W
3605	482211711449	2k2 1% 0,1W
3606	482205120124	120k 5% 0,1W
3607	482211652256	2k2 5% 0,5W
3608	482205120273	27k 5% 0,1W
3609	482211652256	2k2 5% 0,5W
3610	482205120124	120k 5% 0,1W
3611	482211652256	2k2 5% 0,5W
3612	482211711148	56k 1% 0,1W
3613	482205120273	27k 5% 0,1W
3614	482205120273	27k 5% 0,1W
3616	482211710833	10k 1% 0,1W Autoreverse
3616	482205110102	1k 2% 0,25W Non-autoreverse
3618	482211711507	6k8 1% 0,1W Autoreverse
3620	482210011141	Trim. 10k 30% Autoreverse
3622	482210011141	Trim. 10k 30% Non-autoreverse
3623	482211710837	100k 1% 0,1W
3624	482211710837	100k 1% 0,1W
3625	482205110102	1k 2% 0,25W
3626	482205110102	1k 2% 0,25W
3628	482211710837	100k 1% 0,1W
3630	482205120471	470R 5% 0,1W
3672	482205120472	4k7 5% 0,1W Autoreverse
3674	482211652283	4k7 5% 0,5W
3676	482211710834	47k 1% 0,1W Autoreverse
3678	482211710834	47k 1% 0,1W
3679	482211710834	47k 1% 0,1W
3680	482211710834	47k 1% 0,1W

ELECTRICAL PARTS LIST - ETF7 NON-DOLBY BOARD

3685	482211652234	100k 5% 0,5W
3686	482211710837	100k 1% 0,1W
3687	482211711503	220R 1% 0,1W not for Ferro
3688	482211710361	680R 1% 0,1W Autoreverse
3701	482211711503	220R 1% 0,1W
3702	482211711503	220R 1% 0,1W
3703	482211711503	220R 1% 0,1W
3704	482211711503	220R 1% 0,1W
3705	482211711503	220R 1% 0,1W
3706	482211711503	220R 1% 0,1W
3707	482205120101	100R 5% 0,1W
3708	482205120101	100R 5% 0,1W
3709	482205120109	10R 5% 0,1W
3710	482205120109	10R 5% 0,1W
3711	482205120154	150k 5% 0,1W
3712	482205120154	150k 5% 0,1W
3713	482205120109	10R 5% 0,1W
3714	482205120109	10R 5% 0,1W
3715	482205120182	1k8 5% 0,1W
3716	482205120182	1k8 5% 0,1W
3717	482211711449	2k2 1% 0,1W
3718	482211711449	2k2 1% 0,1W
3719	482211711383	12k 1% 0,1W
3720	482211711383	12k 1% 0,1W
3721	482205120392	3k9 5% 0,1W
3722	482205120392	3k9 5% 0,1W
3723	482211683933	15k 1% 0,1W Autoreverse
3723	482211710965	18k 1% 0,1W Non-autoreverse
3724	482211683933	15k 1% 0,1W Autoreverse
3724	482211710965	18k 1% 0,1W Non-autoreverse
3725	482205120109	10R 5% 0,1W not for Ferro
3726	482205120109	10R 5% 0,1W not for Ferro
3727	482205120562	5k6 5% 0,1W Autoreverse
3727	482211711507	6k8 1% 0,1W Non-autoreverse
3728	482205120562	5k6 5% 0,1W Autoreverse
3728	482211711507	6k8 1% 0,1W Non-autoreverse
3729	482205120332	3k3 5% 0,1W Autoreverse
3729	482205120472	4k7 5% 0,1W Non-autoreverse
3730	482205120332	3k3 5% 0,1W Autoreverse
3730	482205120472	4k7 5% 0,1W Non-autoreverse
3731	482205120822	8k2 5% 0,1W
3732	482205120822	8k2 5% 0,1W
3733	482205120122	1k2 5% 0,1W
3734	482205120122	1k2 5% 0,1W
3735	482205120223	22k 5% 0,1W
3736	482205120223	22k 5% 0,1W
3741	482211711449	2k2 1% 0,1W
3742	482211711449	2k2 1% 0,1W
3743	482211711139	1k5 1% 0,1W Autoreverse
3743	482211711449	2k2 1% 0,1W Non-autoreverse
3744	482211711139	1k5 1% 0,1W Autoreverse
3744	482211711449	2k2 1% 0,1W Non-autoreverse
3745	482205120332	3k3 5% 0,1W Autoreverse
3745	482205120562	5k6 5% 0,1W Non-autoreverse
3746	482205120332	3k3 5% 0,1W Autoreverse
3746	482205120562	5k6 5% 0,1W Non-autoreverse
3748	482211711449	2k2 1% 0,1W
3749	482211710834	47k 1% 0,1W
3751	482211710833	10k 1% 0,1W
3752	482211710837	100k 1% 0,1W
3753	482211710837	100k 1% 0,1W
3754	482205120105	1M 5% 0,1W Autoreverse
3754	482205120479	47R 5% 0,1W Non-autoreverse
3755	482205120105	1M 5% 0,1W Autoreverse
3755	482205120479	47R 5% 0,1W Non-autoreverse
3756	482211713579	220k 1% 0,1W
3757	482211713579	220k 1% 0,1W
3758	482211710833	10k 1% 0,1W
3759	482211710833	10k 1% 0,1W
3760	482205120121	120R 5% 0,1W
3761	482205021003	10k 1% 0,6W
3762	482211711454	820R 1% 0,1W
3763	482205120154	150k 5% 0,1W
3764	482211683872	220R 5% 0,5W
3765	482205120393	39k 5% 0,1W
3766	482205120475	4M7 5% 0,1W
3767	482205120475	4M7 5% 0,1W
3768	482211710833	10k 1% 0,1W
3769	482211711383	12k 1% 0,1W Autoreverse
3769	482205120822	8k2 5% 0,1W Non-autoreverse
3770	482211711139	1k5 1% 0,1W
3771	482205120122	1k2 5% 0,1W
3772	482211711507	6k8 1% 0,1W Autoreverse
3772	482205120562	5k6 5% 0,1W Non-autoreverse
3773	482210012227	Trimmer 4k7 30% 0,1W
3774	482211683933	15k 1% 0,1W Autoreverse
3774	482205120822	8k2 5% 0,1W Non-autoreverse
3775	482205120478	4R7 5% 0,1W
3776	482211711507	6k8 1% 0,1W
3777	482211710353	150R 1% 0,1W
3778	482205210688	△ 6R8 5% 0,33W
3779	482205120334	330k 5% 0,1W
3780	482205120105	1M 5% 0,1W
3781	482205120475	4M7 5% 0,1W
3784	482205110102	1k 2% 0,25W
3786	482205120223	22k 5% 0,1W
3787	482205120105	1M 5% 0,1W
3788	482205120105	1M 5% 0,1W
3789	482211710834	47k 1% 0,1W
4701	482205120008	OR Jumper 0805
4702	482205120008	OR Jumper 0805
4703	482205120008	OR Jumper 0805
4704	482205120008	OR Jumper 0805
4705	482205120008	OR Jumper 0805

ELECTRICAL PARTS LIST - ETF7 NON-DOLBY BOARD**RESISTORS**

4706	482205120008	OR Jumper 0805	6612	482213031878	1N4003G	
4707	482205120008	OR Jumper 0805	6614	482213030621	1N4148	Autoreverse
4708	482205120008	OR Jumper 0805	6770	482213030621	1N4148	
4709	482205120008	OR Jumper 0805	6771	482213030621	1N4148	
4710	482205120008	OR Jumper 0805	6772	482213030621	1N4148	
4711	482205120008	OR Jumper 0805	6773	482213030621	1N4148	
4712	482205120008	OR Jumper 0805	6774	482213030621	1N4148	
4713	482205120008	OR Jumper 0805	6775	482213030621	1N4148	
4714	482205120008	OR Jumper 0805	6776	482213030621	1N4148	
4715	482205120008	OR Jumper 0805	6777	482213034382	BZX79-F8V2	
4716	482205120008	OR Jumper 0805	6778	482213030621	1N4148	
4717	482205120008	OR Jumper 0805	6782	482213030621	1N4148	
4718	482205120008	OR Jumper 0805	6785	482213030621	1N4148	
4719	482205120008	OR Jumper 0805	6786	482213030621	1N4148	
4720	482205120008	OR Jumper 0805				
4721	482205120008	OR Jumper 0805				
4722	482205120008	OR Jumper 0805				
4723	482205120008	OR Jumper 0805				
4724	482205120008	OR Jumper 0805				
4725	482205120008	OR Jumper 0805				
4726	482205120008	OR Jumper 0805				
4727	482205120008	OR Jumper 0805				
4728	482205120008	OR Jumper 0805				
4729	482205120008	OR Jumper 0805				
4730	482205120008	OR Jumper 0805				
4731	482205120008	OR Jumper 0805				
4732	482205120008	OR Jumper 0805				
4733	482205120008	OR Jumper 0805				
4734	482205120008	OR Jumper 0805				
4735	482205120008	OR Jumper 0805				
4736	482205120008	OR Jumper 0805				
4737	482205120008	OR Jumper 0805				
4738	482205120008	OR Jumper 0805				
4739	482205120008	OR Jumper 0805				
4740	482205120008	OR Jumper 0805				
4741	482205120008	OR Jumper 0805				
4742	482205120008	OR Jumper 0805				
4744	482205120008	OR Jumper 0805				
4745	482205120008	OR Jumper 0805				
4746	482205120008	OR Jumper 0805				
4748	482205120008	OR Jumper 0805				
4785	482205120008	OR Jumper 0805 only for Ferro				
4790	482205120008	OR Jumper 0805				
4794	482205120008	OR Jumper 0805				
4795	482205120008	OR Jumper 0805				

TRANSISTORS & INTEGRATED CIRCUITS

7610	532220911306	HEF4094BT			
7612	482213011201	PMBT2907			
7613	482213011201	PMBT2907			
7614	482213011201	PMBT2907			
7616	482213060373	BC857B			Autoreverse
7618	482213060511	BC847B			
7619	482213060511	BC847B			
7620	482213060511	BC847B			
7622	482213060511	BC847B			Autoreverse
7623	482213060511	BC847B			
7624	482213060511	BC847B			
7710	482220932919	HEF4952BT			
7720	932214000668	AN7323S			
7730	482220932919	HEF4952BT			
7740	482220932919	HEF4952BT			
7780	482213060511	BC847B			
7781	482213042804	BC817-25			
7782	482213044568	BC557B			
7783	482213060511	BC847B			
7784	482213060373	BC857B			
7786	482213063494	J111			
7787	482213060511	BC847B			
7791	482213060511	BC847B			
7792	482213060511	BC847B			

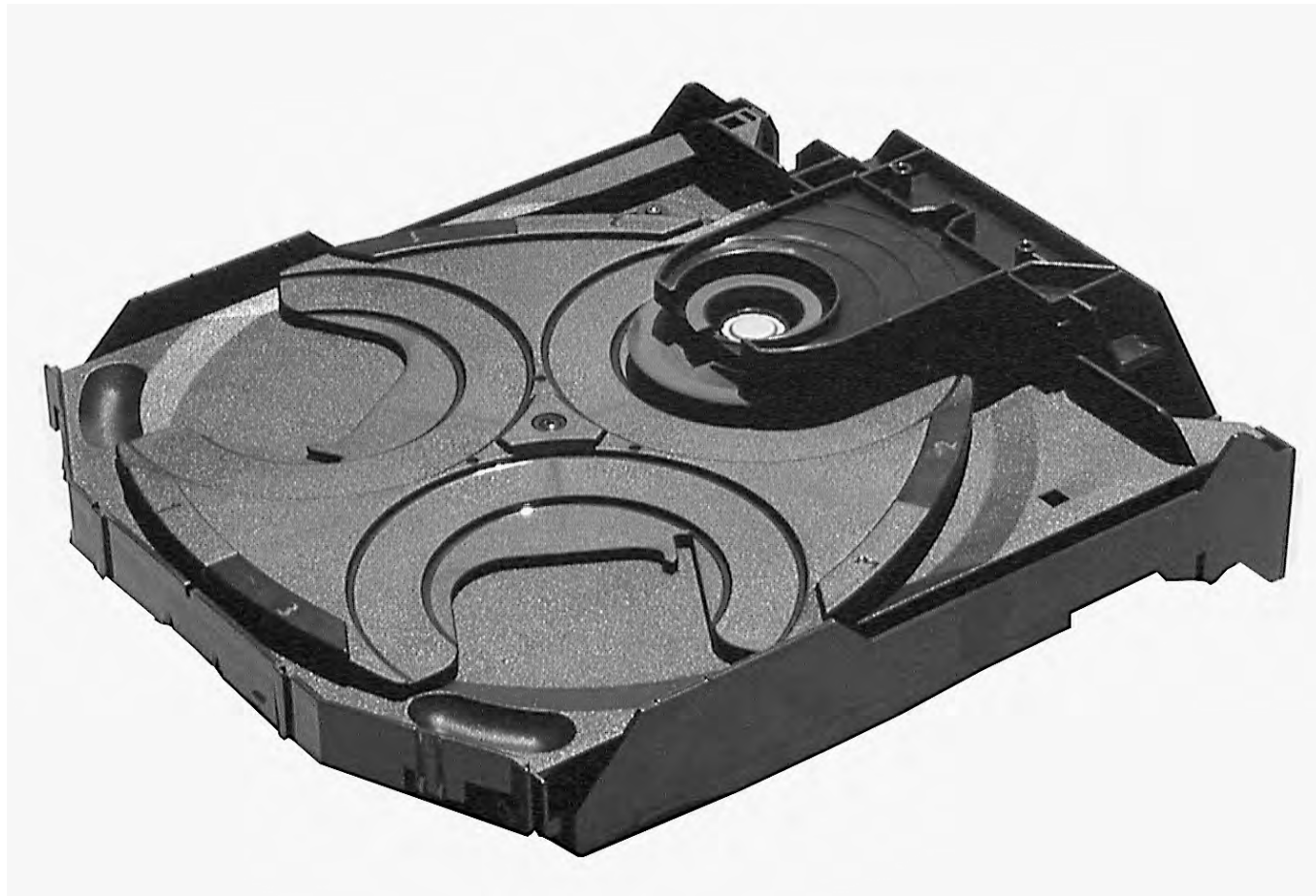
Note: Only the parts mentioned in this list are normal service spare parts.

COILS & FILTERS

5701	482215711477	Coil 2,2 μ H 5%
5703	482215620946	Osc Coil 100kHz

DIODES

6611	482213031878	1N4003G
------	--------------	---------



3CDC-LLC-DA11

(3 Disc Carousel Changer)

Layout stage .3

TABLE OF CONTENTS

Service Hints	10-2
Blockdiagram	10-5
Component Layout Main Board	10-6
Circuit Diagram part1	10-7
Component Layout Main Board	10-8
Circuit Diagram part2	10-9
Exploded View	10-10
Partlist	10-12



Service hints

CAUTION

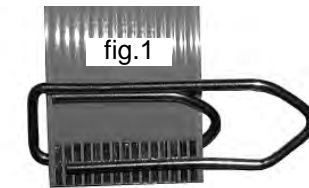
CHARGED CAPACITORS ON THE SERVO BOARD MAY DAMAGE THE CD DRIVE ELECTRONICS WHEN CONNECTING A NEW CD MECHANISM. THAT'S WHY, BESIDES THE SAFETY MEASURES LIKE

- SWITCH OFF POWER SUPPLY
- ESD PROTECTION

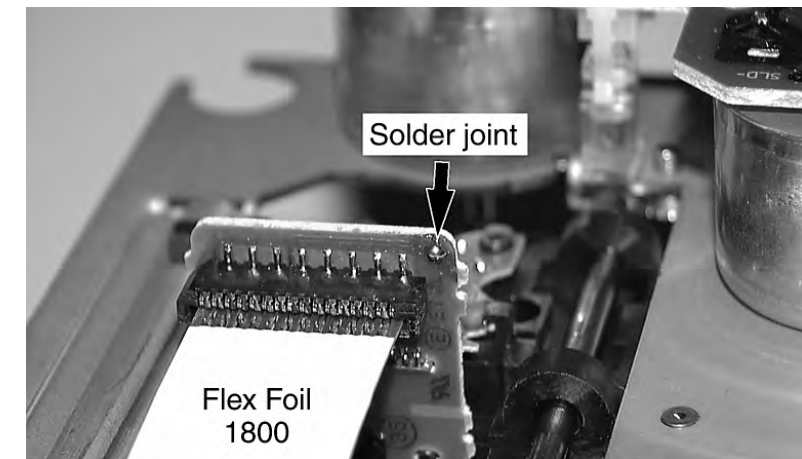
ADDITIONAL ACTIONS MUST BE TAKEN BY THE REPAIR TECHNICIAN.

The following steps have to be done when replacing the CD mechanism:

1. Disconnect flexfoil cable from the old CD drive
2. Put a paperclip on the flexfoil to short-circuit the contacts (fig.1)
3. Remove the old CD drive
4. Remove paperclip from the flexfoil and connect it to the new drive
5. Position the new CD drive in its studs
6. Remove solder joint from the Laserunit

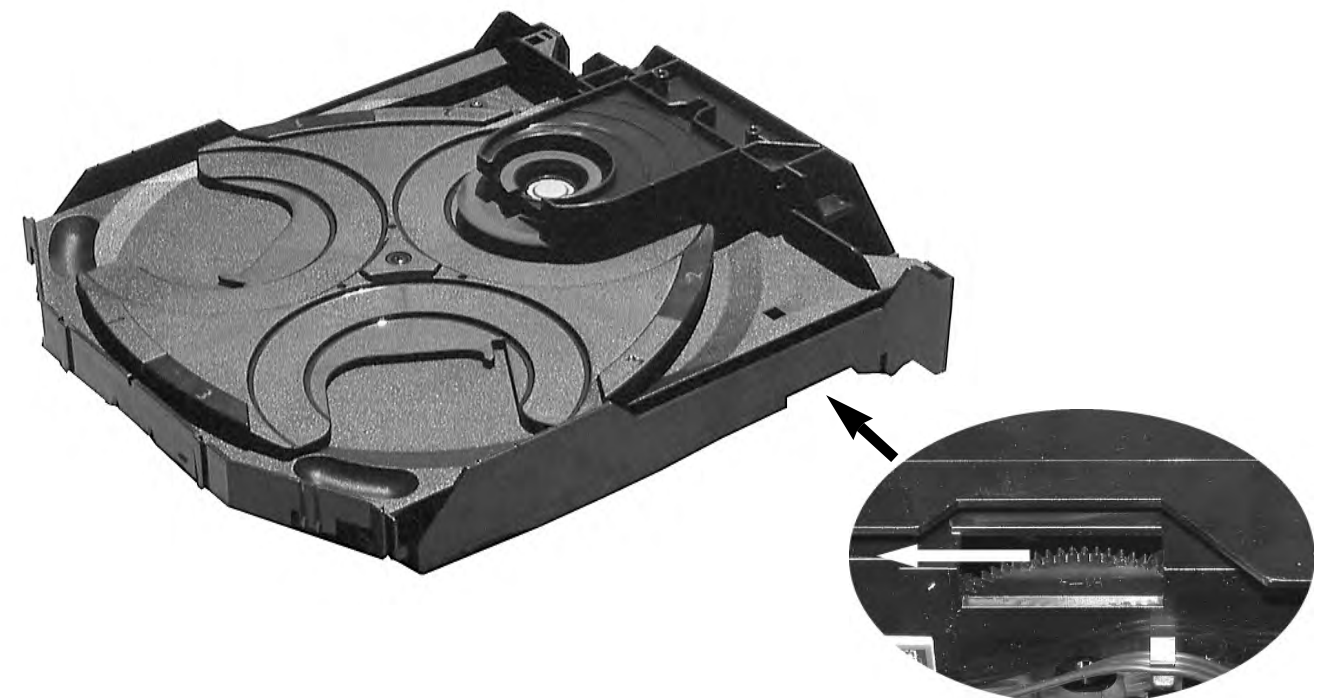


Attention: The laser diode of this CD drive is protected against ESD by a solder joint which shortcircuits the laserdiode to ground.
For proper functionality of the CD drive this solder joint must be removed **after** connection the drive to the set.



Emergency open

- In case of a Supply fault, the tray can be opened manually.
1. Remove the top cover of the set to get access to the Changer Module.
 2. Turn gearwheel clockwise (as shown in picture below).

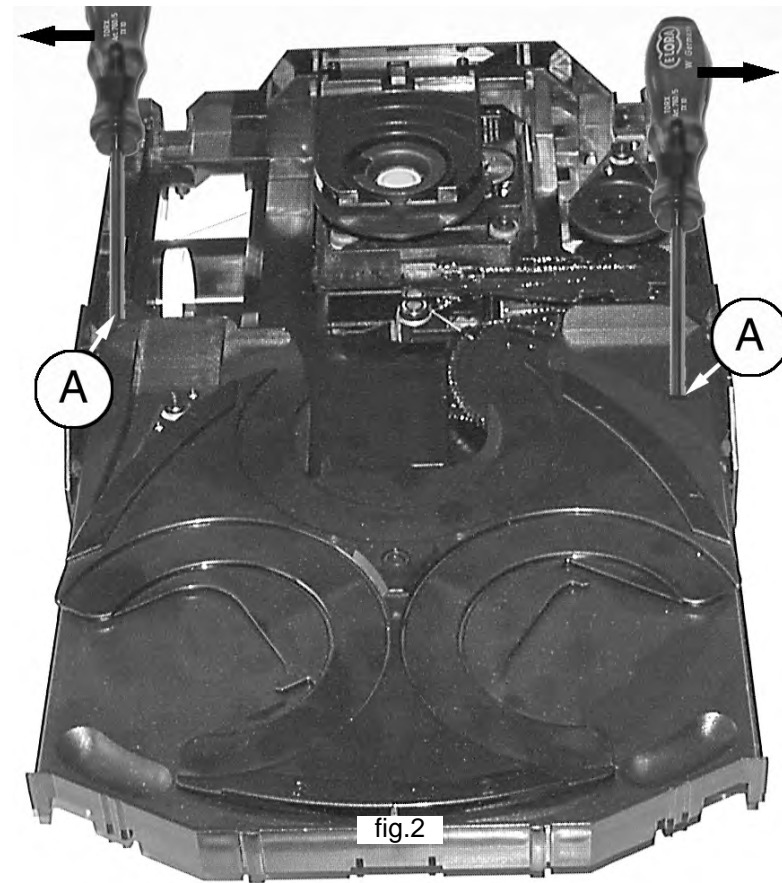
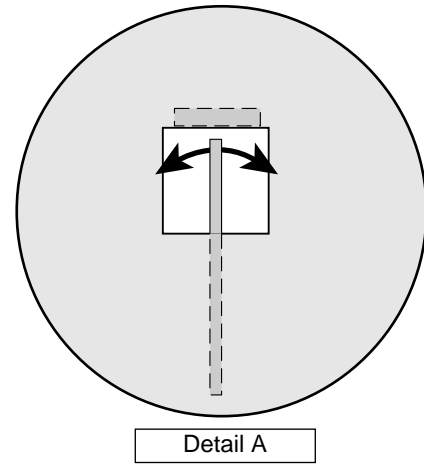


Service hints

10-3

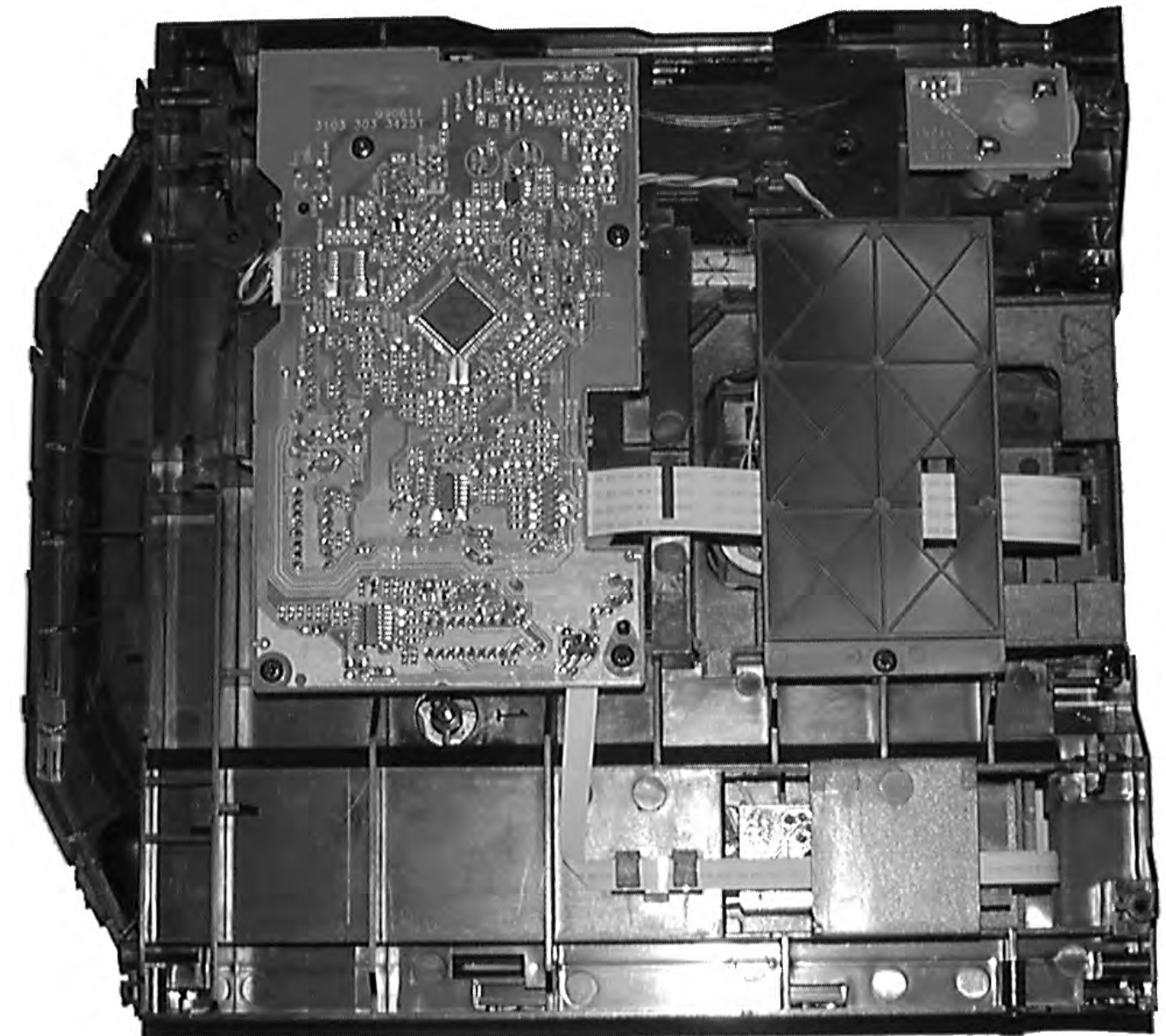
Dismantling of Tray

1. Open the tray.
2. Release 2x catch as shown in fig. 2 and Detail A
3. Pull tray out.



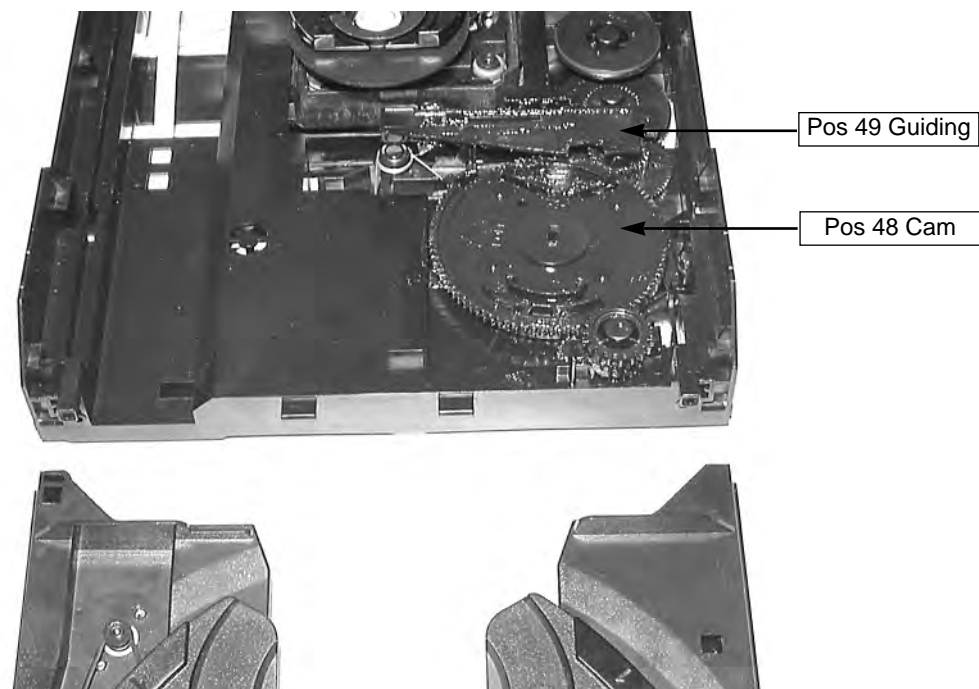
Service Position

10-4

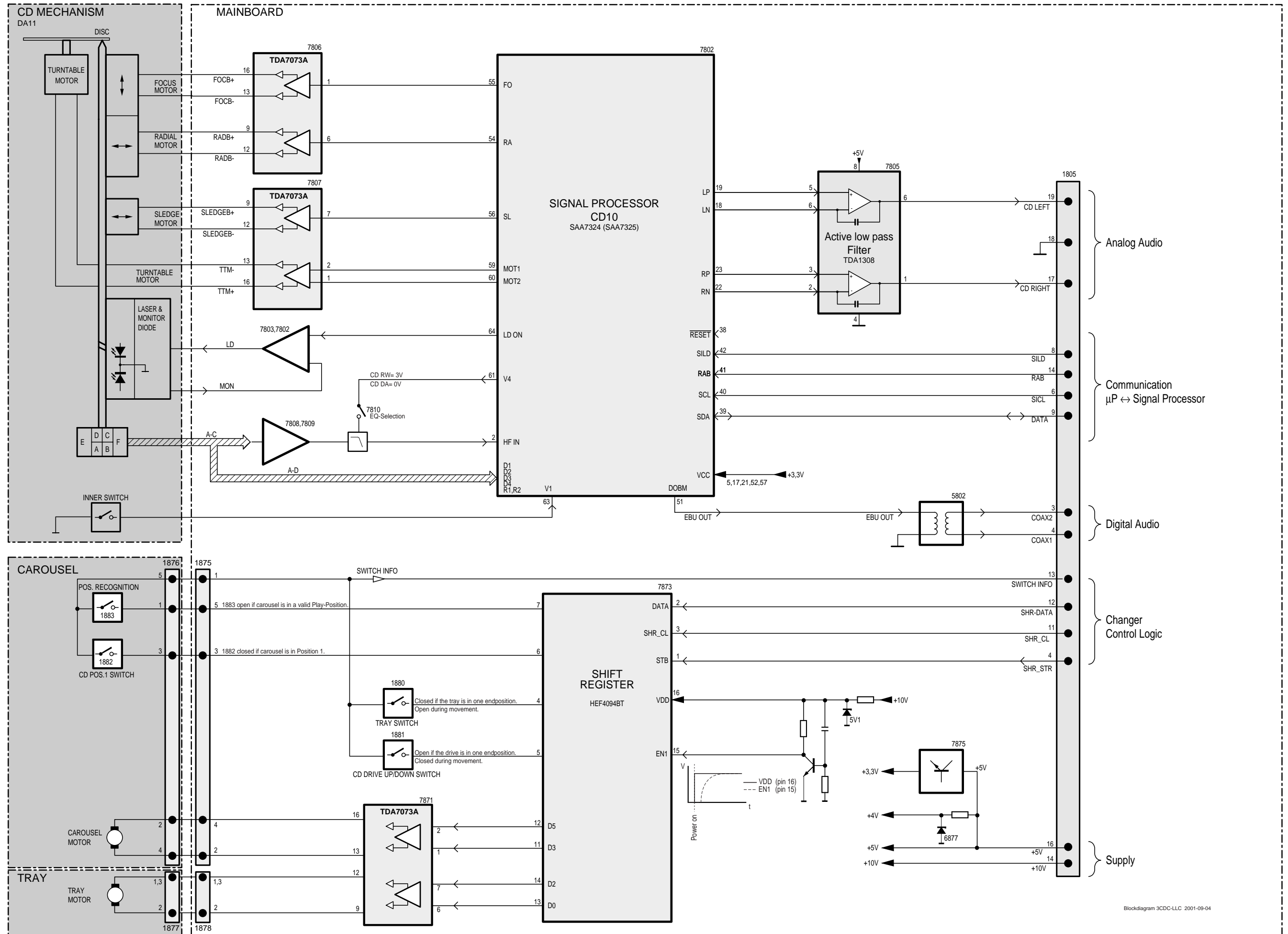


Assembling of Tray

1. Turn Cam (pos. 48) clockwise to end position.
2. If necessary - move Guiding (pos. 49) to the right end position.
3. Insert the Tray.

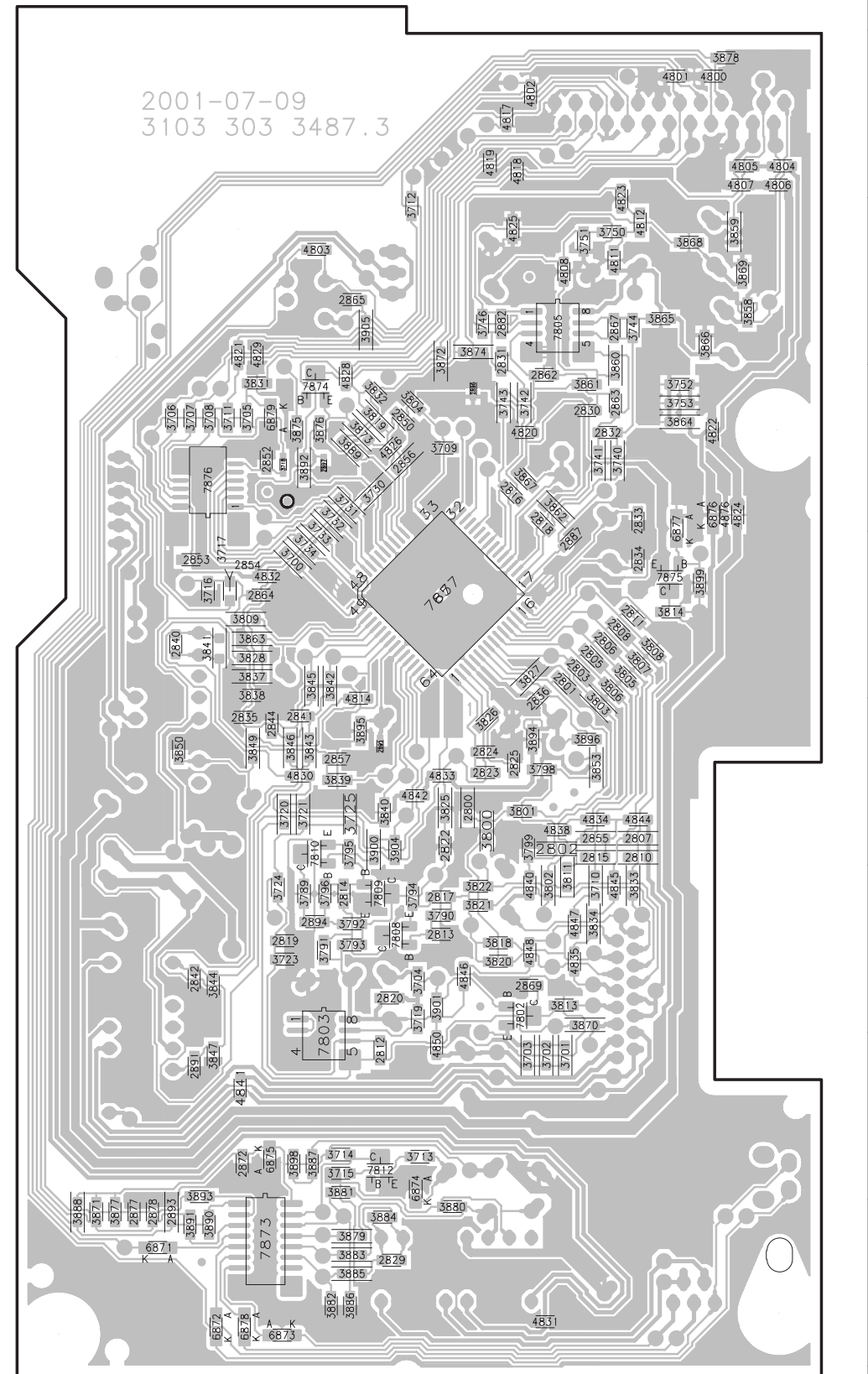


BLOCK DIAGRAM 3CDC-LLC-DA11



Mapping

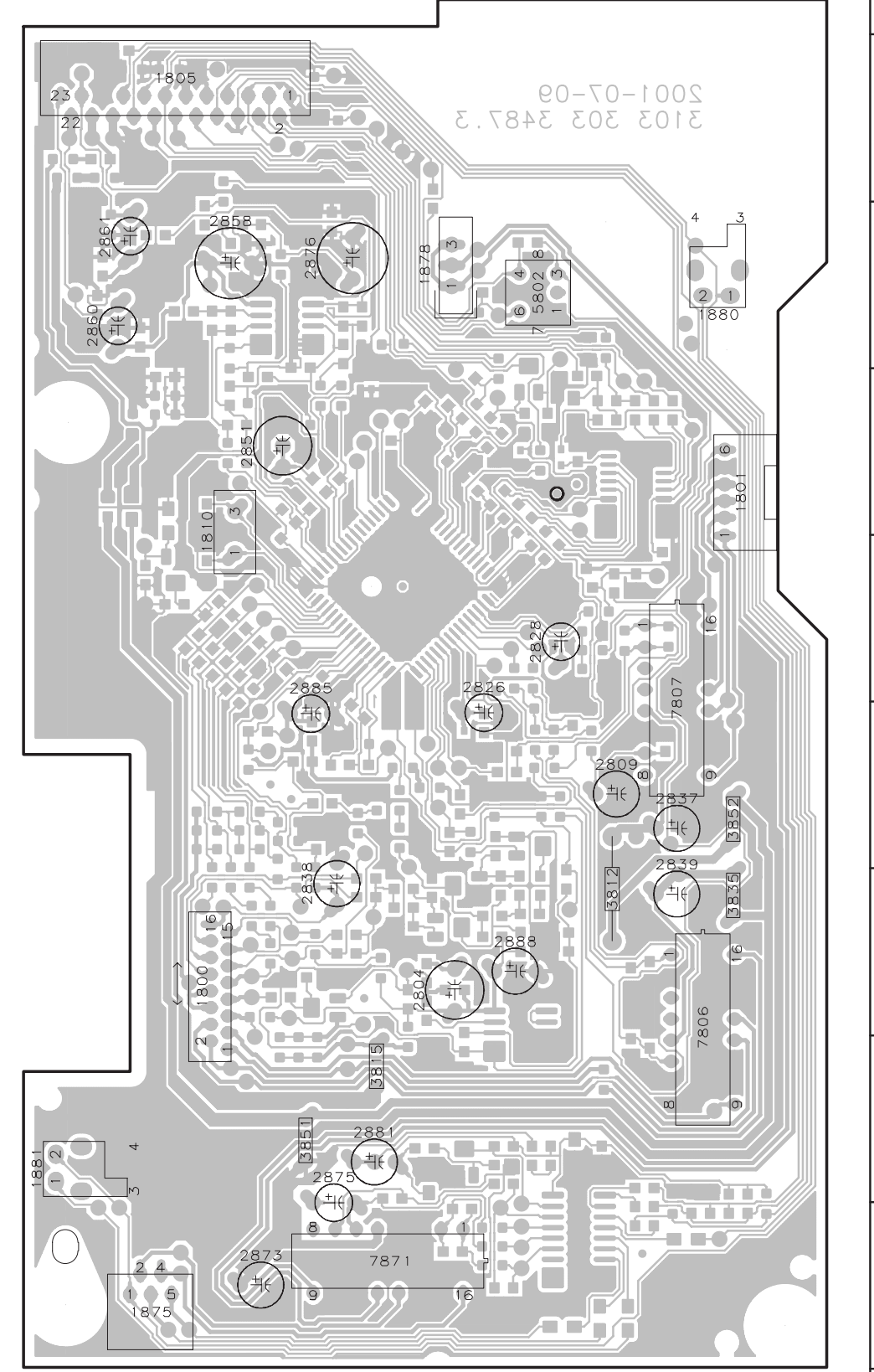
3CDC-LLC Copperside view



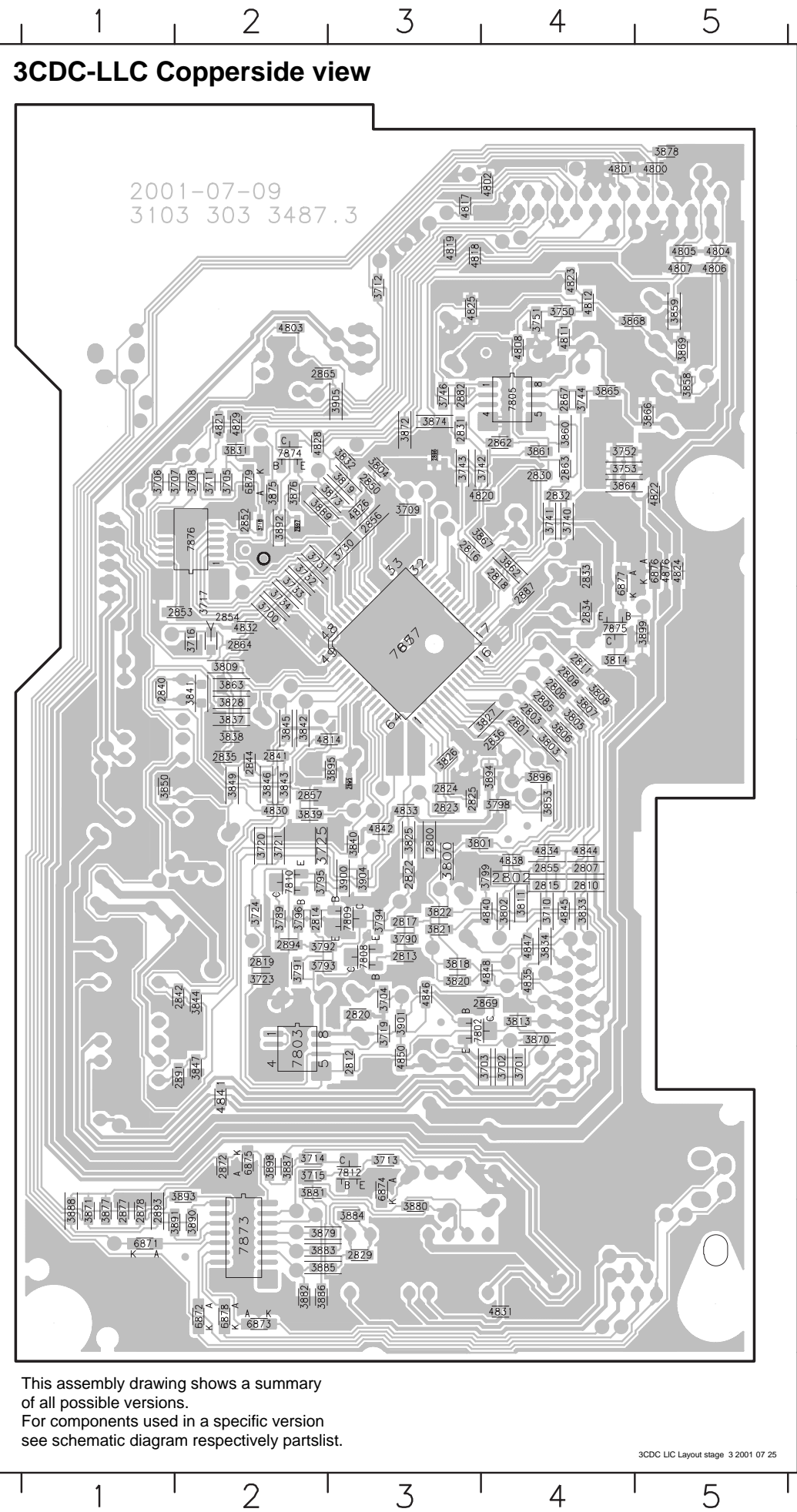
This assembly drawing shows a summary of all possible versions. For components used in a specific version see schematic diagram respectively partlist.

Copperside		Componentside
2800 E3	3741 C4	3889 C2
2801 D4	3742 C4	3890 H2
2802 E4	3743 C3	3891 H2
2803 D4	3744 B4	3892 C2
2805 D4	3746 B3	3893 G2
2806 D4	3750 B4	3894 E4
2807 E4	3751 B4	3895 E3
2808 D4	3752 C4	3896 E4
2810 E4	3753 C4	3898 G2
2811 D4	3789 F2	3899 D5
2812 G3	3790 F3	3900 E3
2813 F3	3791 F2	3901 F3
2814 F2	3792 F3	3904 E3
2815 E4	3793 F3	3905 B3
2816 C3	3794 F3	4800 A5
2817 F3	3795 E2	4801 A4
2818 C4	3796 F2	4802 A4
2819 F2	3798 E4	4803 B2
2820 F3	3799 E4	4804 A5
2822 E3	3800 E3	4805 A5
2823 E3	3801 E4	4806 A5
2824 E3	3802 F4	4807 A5
2825 E3	3803 D4	4808 B4
2829 H3	3804 C3	4811 B4
2830 C4	3805 D4	4812 B4
2831 B3	3806 D4	4814 D3
2832 C4	3807 D4	4817 A3
2833 C4	3808 D4	4818 A3
2834 D4	3809 D2	4819 A3
2835 E2	3811 F4	4820 C4
2836 D4	3813 F4	4821 B2
2840 D1	3814 D4	4822 C5
2841 E2	3818 F3	4823 A4
2842 F2	3819 C3	4824 C5
2844 E2	3820 F3	4825 B3
2850 C3	3821 F3	4826 C3
2852 C2	3822 F3	4828 C2
2853 D2	3825 E3	4829 B2
2854 D2	3826 E3	4830 E2
2855 E4	3827 D4	4831 H4
2856 C3	3828 D2	4832 D2
2857 E2	3831 C2	4833 E3
2862 C4	3832 C3	4834 E4
2863 C4	3833 F4	4835 F4
2864 D2	3834 F4	4838 E4
2865 B3	3837 D2	4840 F4
2867 B4	3838 D2	4841 G2
2869 F4	3839 E2	4842 E3
2872 G2	3840 E3	4844 E4
2877 H1	3841 D2	4845 F4
2878 H1	3842 D2	4846 F3
2882 B3	3843 E2	4847 F4
2887 C4	3844 F2	4848 F4
2891 G2	3845 D2	4850 G3
2893 H1	3846 E2	4876 C5
2894 F2	3847 G2	6871 H1
2895 E3	3849 E2	6872 H2
2896 C3	3850 E1	6873 H2
2897 C2	3853 E4	6874 G3
3700 D2	3858 B5	6875 G2
3701 G4	3859 B5	6876 C5
3702 G4	3860 B4	6877 C4
3703 G4	3861 C4	6878 H2
3704 F3	3862 C4	6879 C2
3705 C2	3863 D2	7802 F4
3706 C1	3864 C4	7803 F2
3707 C2	3865 B4	7805 B4
3708 C2	3866 B5	7808 F3
3709 C3	3867 C4	7809 F3
3710 F4	3868 B5	7810 E2
3711 C2	3869 B5	7812 G3
3712 A3	3870 F4	7873 H2
3713 G3	3871 H1	7874 C2
3714 G2	3872 B3	7875 D4
3715 G2	3873 C3	7876 C2
3716 D2	3874 B3	7877 D3
3717 D2	3875 C2	
3718 C2	3876 C2	
3719 F3	3877 H1	
3720 E2	3878 A5	
3721 E2	3879 H3	
3723 F2	3880 G3	
3724 F2	3881 G2	
3725 E2	3882 H2	
3730 C3	3883 H3	
3731 C2	3884 H3	
3732 C2	3885 H3	
3733 C2	3886 H2	
3734 D2	3887 G2	
3740 C4	3888 H1	

3CDC-LLC Componentside view

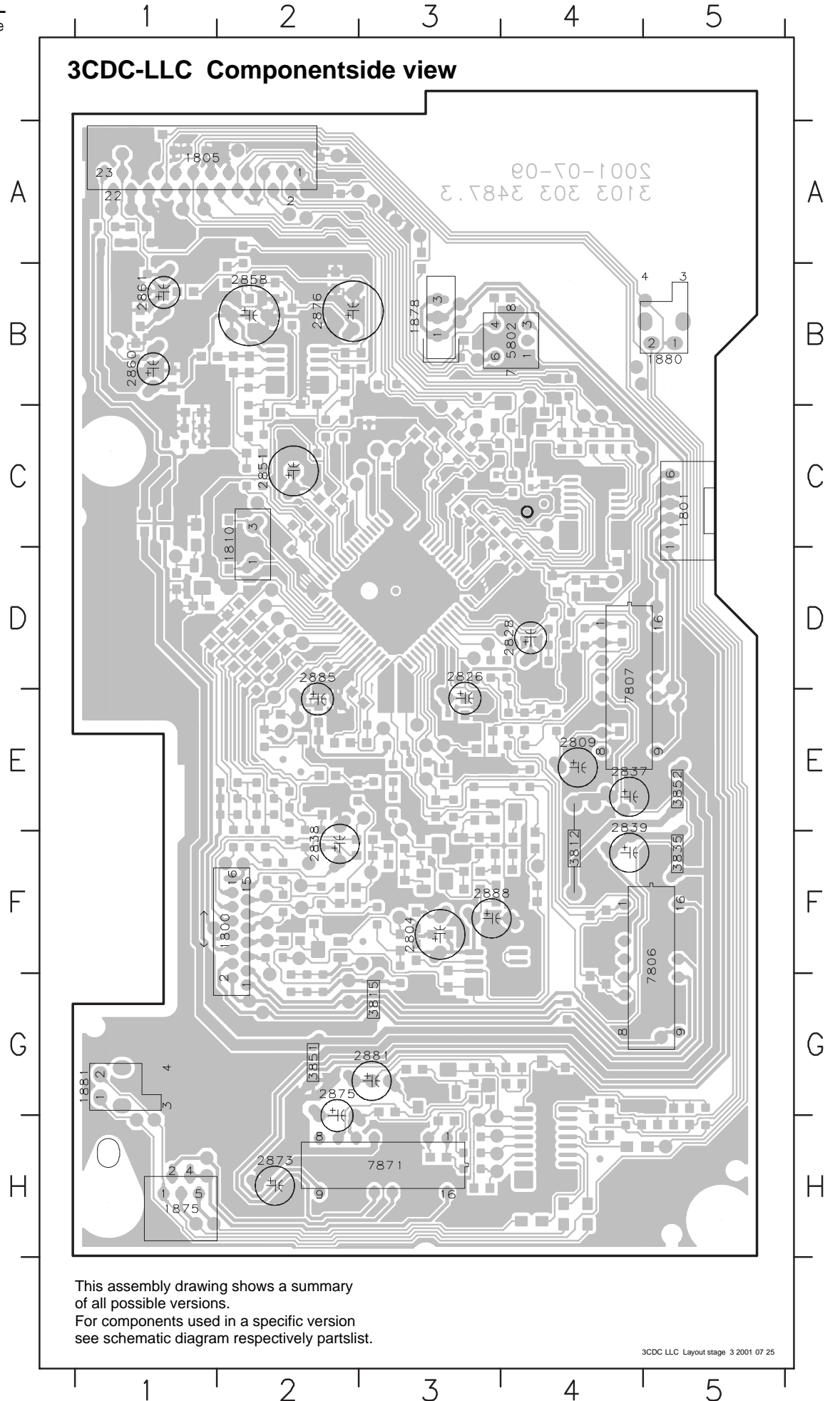


This assembly drawing shows a summary of all possible versions. For components used in a specific version see schematic diagram respectively partlist.

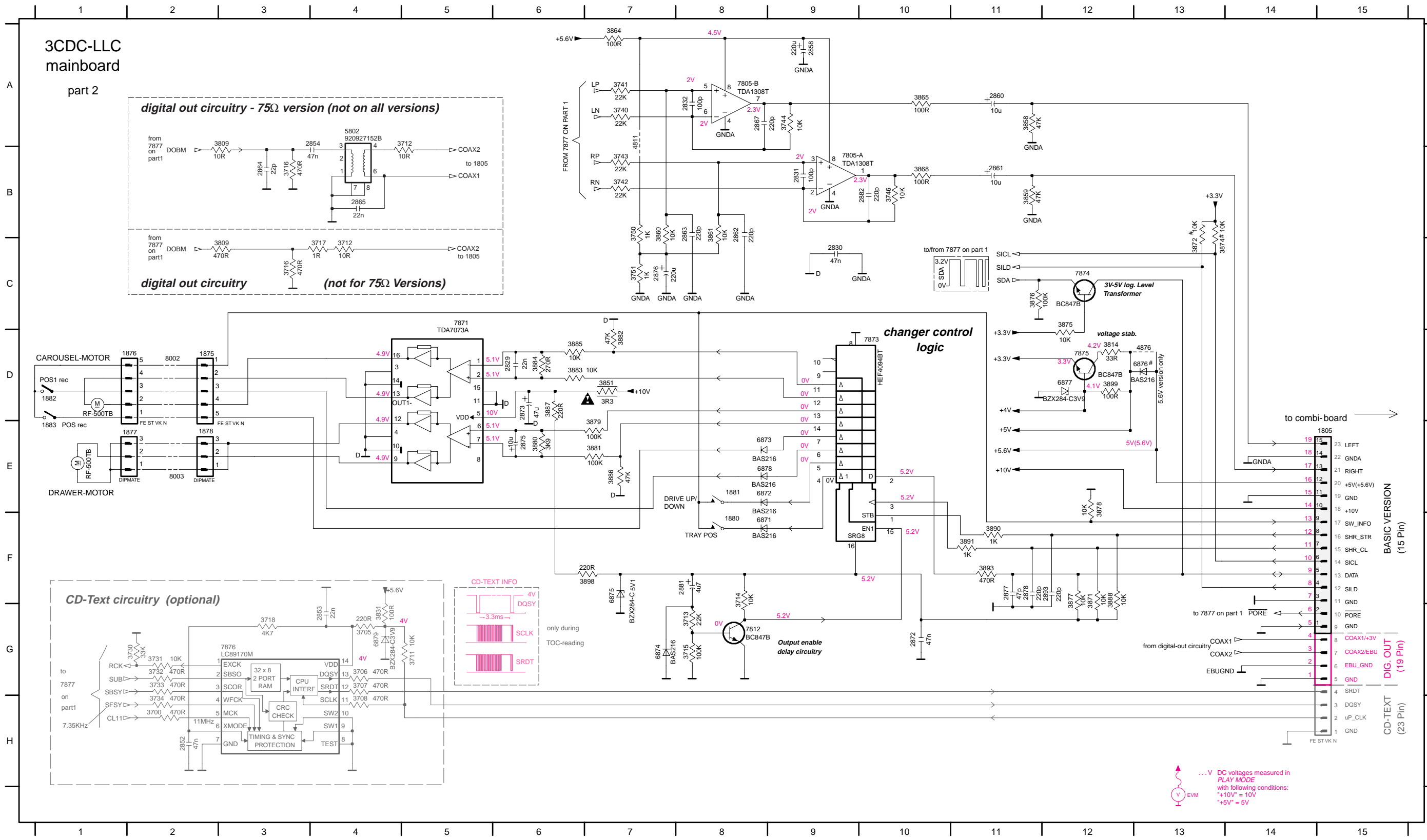


Mapping

Copperside		Componentside	
2800 E3	3741 C4	3889 C2	1800 F2
2801 D4	3742 C4	3890 H2	1801 C5
2802 E4	3743 C3	3891 H2	1805 A2
2803 D4	3744 B4	3892 C2	1810 C2
2805 D4	3746 B3	3893 G2	1875 H1
2806 D4	3750 B4	3894 E4	1878 B3
2807 E4	3751 B4	3895 E3	1880 B5
2808 D4	3752 C4	3896 E4	1881 G1
2810 E4	3753 C4	3898 G2	2804 F3
2811 D4	3789 F2	3899 D5	2809 E4
2812 G3	3790 F3	3900 E3	2826 D3
2813 F3	3791 F2	3901 F3	2828 D4
2814 F2	3792 F3	3904 E3	2837 E5
2815 E4	3793 F3	3905 B3	2838 F2
2816 C3	3794 F3	4800 A5	2839 E5
2817 F3	3795 E2	4801 A4	2851 C2
2818 C4	3796 F2	4802 A4	2858 B2
2819 F2	3798 E4	4803 B2	2860 B1
2820 F3	3799 E4	4804 A5	2861 B1
2822 E3	3800 E3	4805 A5	2873 H2
2823 E3	3801 E4	4806 A5	2875 G3
2824 E3	3802 F4	4807 A5	2876 B2
2825 E3	3803 D4	4808 B4	2881 G3
2829 H3	3804 C3	4811 B4	2885 D2
2830 C4	3805 D4	4812 B4	2888 F4
2831 B3	3806 D4	4814 D3	3812 F4
2832 C4	3807 D4	4817 A3	3815 G3
2833 C4	3808 D4	4818 A3	3835 F5
2834 D4	3809 D2	4819 A3	3851 G2
2835 E2	3811 F4	4820 C4	3852 E5
2836 D4	3813 F4	4821 B2	5802 B4
2840 D1	3814 D4	4822 C5	7806 F5
2841 E2	3818 F3	4823 A4	7807 D5
2842 F2	3819 C3	4824 C5	7871 H3
2844 E2	3820 F3	4825 B3	
2850 C3	3821 F3	4826 C3	
2852 C2	3822 F3	4828 C2	
2853 D2	3825 E3	4829 B2	
2854 D2	3826 E3	4830 E2	
2855 E4	3827 D4	4831 H4	
2856 C3	3828 D2	4832 D2	
2857 E2	3831 C2	4833 E3	
2862 C4	3832 C3	4834 E4	
2863 C4	3833 F4	4835 F4	
2864 D2	3834 F4	4838 E4	
2865 B3	3837 D2	4840 F4	
2867 B4	3838 D2	4841 G2	
2869 F4	3839 E2	4842 E3	
2872 G2	3840 E3	4844 E4	
2877 H1	3841 D2	4845 F4	
2878 H1	3842 D2	4846 F3	
2882 B3	3843 E2	4847 F4	
2887 C4	3844 F2	4848 F4	
2891 G2	3845 D2	4850 G3	
2893 H1	3846 E2	4876 C5	
2894 F2	3847 G2	6871 H1	
2895 E3	3849 E2	6872 H2	
2896 C3	3850 E1	6873 H2	
2897 C2	3853 E4	6874 G3	
3700 D2	3858 B5	6875 G2	
3701 G4	3859 B5	6876 C5	
3702 G4	3860 B4	6877 C4	
3703 G4	3861 C4	6878 H2	
3704 F3	3862 C4	6879 C2	
3705 C2	3863 D2	7802 F4	
3706 C1	3864 C4	7803 F2	
3707 C2	3865 B4	7805 B4	
3708 C2	3866 B5	7808 F3	
3709 C3	3867 C4	7809 F3	
3710 F4	3868 B5	7810 E2	
3711 C2	3869 B5	7812 G3	
3712 A3	3870 F4	7873 H2	
3713 G3	3871 H1	7874 C2	
3714 G2	3872 B3	7875 D4	
3715 G2	3873 C3	7876 C2	
3716 D2	3874 B3	7877 D3	
3717 D2	3875 C2		
3718 C2	3876 C2		
3719 F3	3877 H1		
3720 E2	3878 A5		
3721 E2	3879 H3		
3723 F2	3880 G3		
3724 F2	3881 G2		
3725 E2	3882 H2		
3730 C3	3883 H3		
3731 C2	3884 H3		
3732 C2	3885 H3		
3733 C2	3886 H2		
3734 D2	3887 G2		
3740 C4	3888 H1		



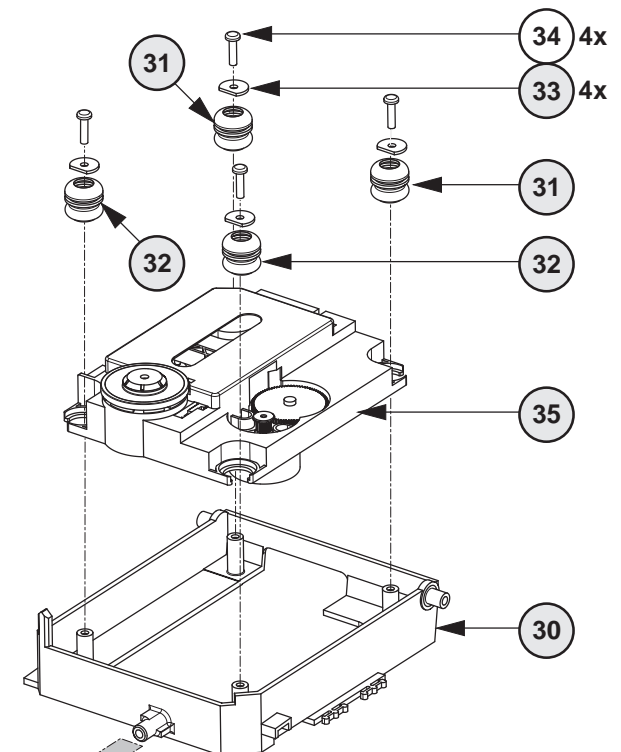
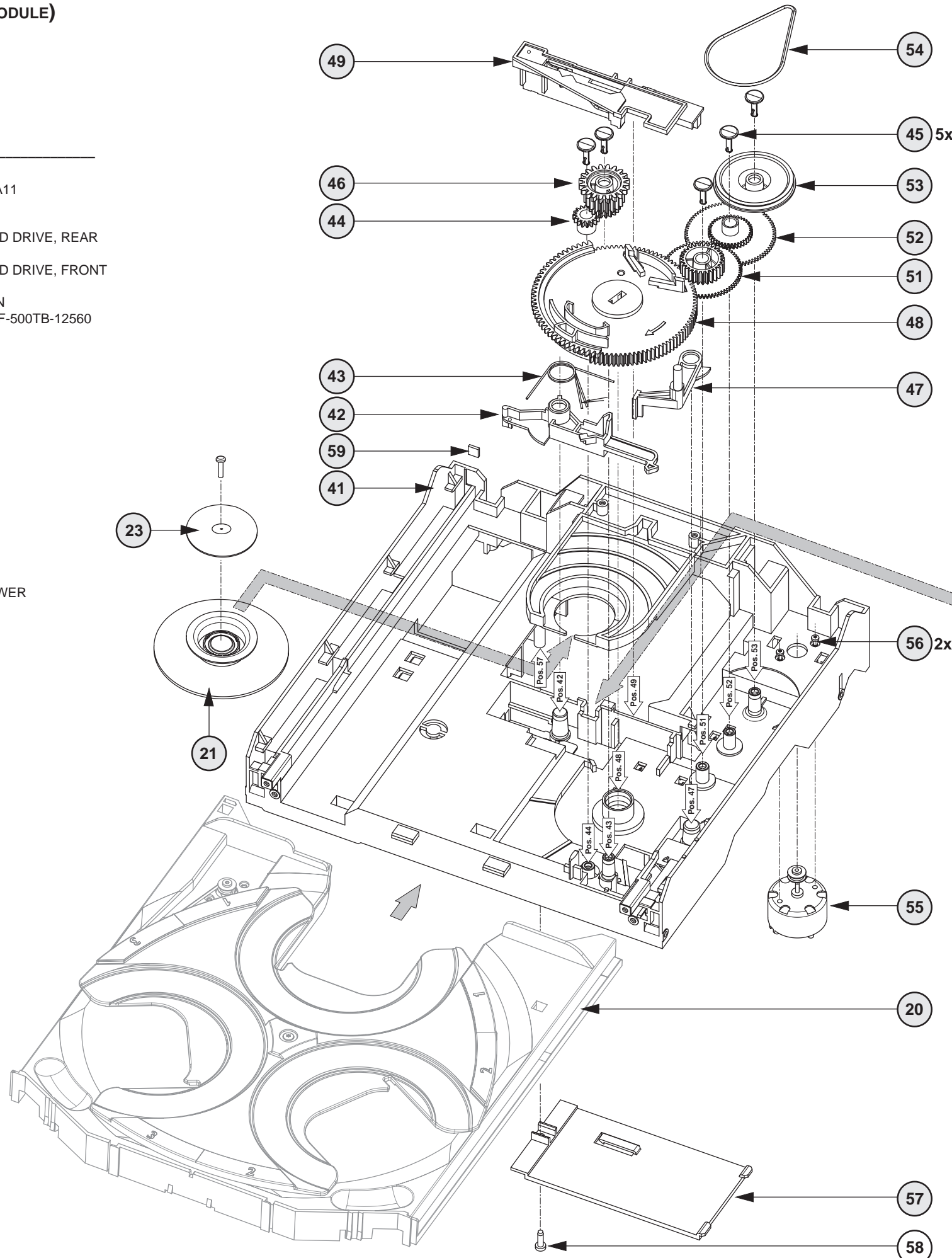
1805 E15	2830 C9	2858 A9	2865 C4	2877 F11	3705 G4	3713 G8	3730 G2	3741 A7	3751 C7	3851 D7	3865 A10	3874 C13	3880 E6	3886 E7	3898 F7	4876 D13	6875 F7	7805-B A8	7876 G3	MP726 D8	MP804 G14	MP811 F14	MP832 G9	MP863 C11	MP871 D6	MP888 G5	MP898 E13
1875 D2	2831 B9	2860 A11	2867 A8	2878 F11	3706 G4	3714 F8	3731 G2	3742 B7	3752 A6	3858 A11	3866 A10	3875 C12	3881 E7	3887 D6	3899 D12	5802 B4	6876 D13	7812 G8	MP721 C8	MP740 H14	MP805 F13	MP822 E3	MP833 F14	MP865 D11	MP874 D12	MP889 G5	MP899 E14
1878 E2	2832 A8	2861 B11	2872 G10	2881 F8	3707 G4	3715 G8	3732 G2	3743 B7	3753 A6	3859 B11	3868 B10	3876 C11	3882 D7	3888 F12	3905 C5	6871 F8	6877 D12	7871 C5	MP722 E8	MP741 G14	MP806 F13	MP823 E3	MP835 F14	MP866 E8	MP881 G2	MP890 B3	
1880 F8	2862 H2	2862 B8	2873 D6	2882 B10	3708 H4	3716 B3	3733 G2	3744 A9	3809 B2	3860 B7	3869 B10	3877 F12	3883 D6	3889 F11	4803 B4	6872 E8	6878 E8	7873 D10	MP723 D8	MP742 G14	MP807 F14	MP824 D4	MP854 A13	MP867 E8	MP882 G2	MP891 B5	
1881 E8	2853 G4	2863 B8	2875 E6	2893 F12	3711 G5	3717 B3	3734 H2	3746 B10	3814 D12	3861 B8	3871 F12	3878 E12	3884 D6	3891 F11	4811 A7	6873 E8	6879 G4	7874 C12	MP724 D8	MP801 E12	MP808 F13	MP825 D4	MP856 E14	MP868 F8	MP886 G3	MP892 B5	
2829 D6	2854 B3	2864 B3	2876 C7	3700 H2	3712 B4	3718 G3	3740 A7	3750 B7	3831 G4	3864 A7	3872 C13	3879 D7	3885 D6	3893 F11	4812 B7	6874 G7	7805-A B9	7875 D12	MP725 D8	MP803 F10	MP810 F13	MP830 A7	MP857 B13	MP869 C12	MP887 H5	MP897 E13	



EXPLODED VIEW (3CDC-LC MODULE)

MECHANICAL PARTS Loader → this page

20	3103 304 66500	DRAWER
21	3140 114 29070	PRESSURE RING-DA11
23	3140 111 21270	METAL RING-DA11
30	3103 304 66560	SUPPORT
31	4822 529 10386	RUBBER DAMPER CD DRIVE, REAR
32	4822 529 10387	RUBBER DAMPER CD DRIVE, FRONT
33	3103 304 06970	WASHER
35	3103 309 05310	CD DRIVE DA11T3CN
36	3104 119 40010	MOTOR MABUCHI RF-500TB-12560
37	4822 361 10753	CAROUSEL MOTOR
41	3103 304 66480	FRAME
42	3103 304 66540	BRACKET-GUIDING
43	3103 301 06460	SPRING-GUIDING
44	3103 304 06890	GEAR-3
45	3103 304 06980	NAIL FIXATION
46	3103 304 06880	GEAR-2
47	3103 304 66530	BRACKET-LOAD
48	3103 304 06910	CAM
49	3103 304 66510	GUIDING
51	3103 304 06900	GEAR-4
52	3103 304 06870	GEAR-1
53	3103 304 06960	PULLEY-FRAME
54	3103 304 66910	DRIVING-BELT-DRAWER
55	4822 361 10753	TRAY MOTOR
56	4822 502 12548	SCREW M2,6X3,5
57	3103 304 69880	COVER-DA11
59	4822 466 12146	RUBBER

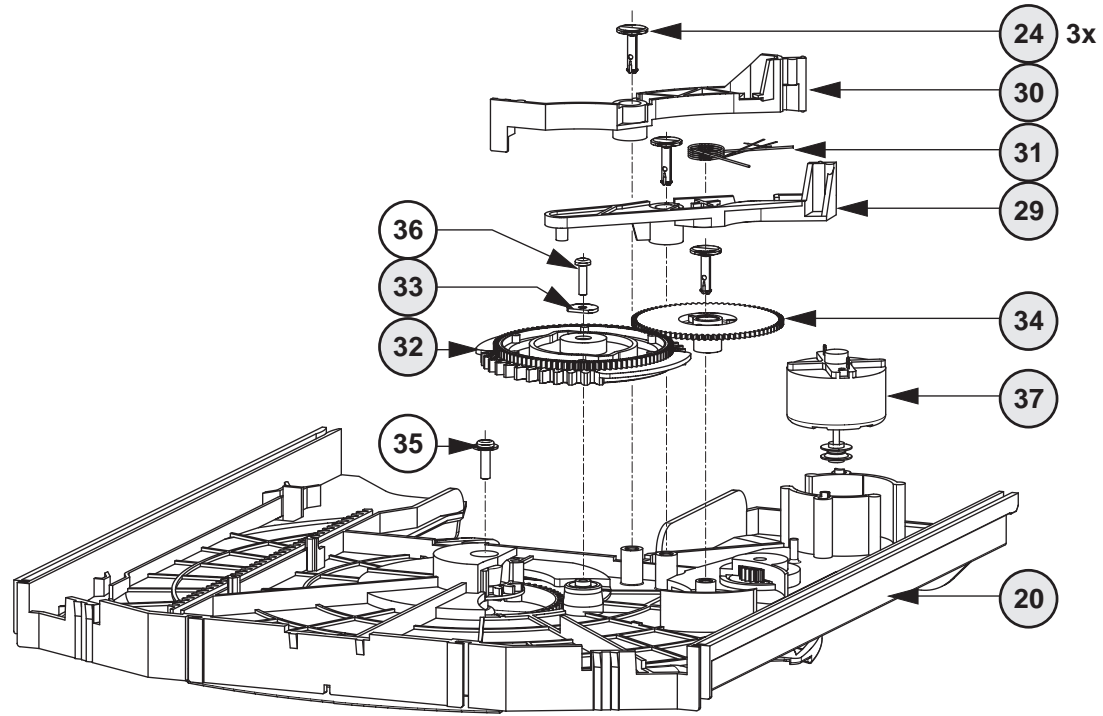


MECHANICAL PARTS Drawer → Chapter 10-11

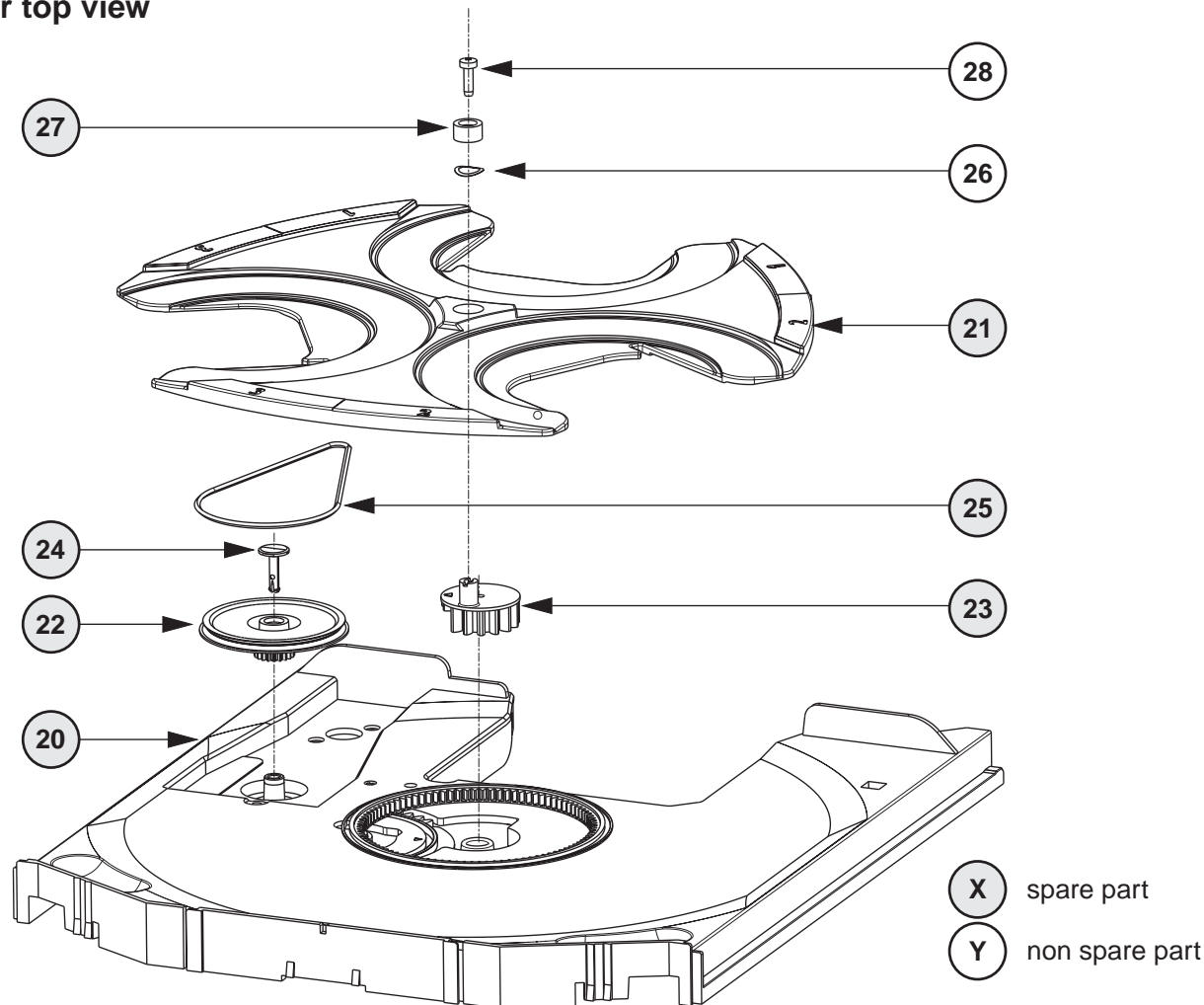
20	3103 304 66500	DRAWER
21	3103 304 66490	CAROUSEL
22	3103 304 06860	PULLEY-DRAWER
23	3103 304 06850	ECCENTRIC GEAR WHEEL
24	3103 304 06980	NAIL FIXATION
25	3103 304 66850	DRIVING BELT CAROUSEL
27	4822 532 12365	BUSH DRAWER (height=5,5mm,d=9,4mm)
27	3103 304 07100	BUSH DRAWER (height=8,5mm,d=16mm)
29	3103 304 66550	BRACKET-DISC
30	3103 304 66520	TUMBLER
31	3103 301 06470	SPRING-DISC
32	3103 304 06920	CONTROL-DISC
34	3103 304 06870	GEAR-1
37	4822 361 10753	CARROUSEL MOTOR

X spare part
Y non spare part

Drawer bottom view



Drawer top view



ELECTRICAL PARTSLIST 3CDC-LLC-DA11 MODULE

MISCELLANEOUS

35	3103 309 05310	CD DRIVE DA11T3CN
37	4822 361 10753	CAROUSEL MOTOR
55	4822 361 10753	TRAY MOTOR
1800	2422 025 17389	FLEX FOIL CONNECTOR 16Pin
1805	4822 265 10979	FLEX FOIL CONNECTOR 15Pin
1805	4822 265 11545	FLEX FOIL CONNECTOR 19Pin
1875	4822 267 10958	FLEX FOIL CONNECTOR 5Pin
1876	2422 025 08332	FLEX FOIL CONNECTOR 5Pin
1880	4822 276 13503	SWITCH, Tray switch
1881	4822 276 13503	SWITCH, Drive UP/DOWN
1882	4822 276 13503	SWITCH, CD Pos.1 recognized
1883	4822 276 13503	SWITCH, valid CD Play position
8002	3103 308 91990	FLEX FOIL CABLE 5P 200mm 1:n
8005	3103 308 92930	FLEX FOIL CABLE 16P 170mm 1:n

CAPACITORS

2800 ©	4822 126 10326	180pF	5%	
2801 ©	4822 126 13883	220pF	5%	50V
2802 ©	4822 126 10326	180pF	5%	
2803 ©	4822 126 13883	220pF	5%	50V
2804	4822 124 41751	47µF	20%	16V
2805 ©	4822 126 13883	220pF	5%	50V
2806 ©	4822 126 13883	220pF	5%	50V
2807 ©	4822 126 10326	180pF	5%	
2808 ©	4822 126 13883	220pF	5%	50V
2809	4822 124 40746	0,22µF	20%	63V

2810 ©	5322 122 32531	100pF	5%	50V
2811 ©	4822 126 13883	220pF	5%	50V
2812 ©	2222 867 15339	33pF	5%	50V
2813 ©	4822 126 14226	82pF		50V
2814 ©	2238 780 59861	680nF	10%	16V

2815 ©	4822 126 10326	180pF	5%	
2816 ©	4822 126 14247	1,5nF	10%	50V
2817 ©	4822 126 14249	560pF	10%	50V
2818 ©	4822 126 13344	1,5nF	5%	63V
2819 ©	5322 126 11578	1nF	10%	63V

2820 ©	4822 126 14305	100nF	10%	16V
2822 ©	4822 122 33127	2,2nF	10%	63V
2823 ©	4822 122 33777	47pF	5%	63V
2824	4822 126 13751	47nF	10%	50V
2825 ©	5322 126 11582	6,8nF	10%	63V

2826	4822 124 12362	47µF	20%	4V
2828	4822 124 12362	47µF	20%	4V
2829 ©	3198 017 42230	22nF	10%	50V
2830 ©	4822 126 13751	47nF	10%	50V
2831 ©	4822 122 31765	100pF	5%	50V

2832 ©	4822 122 31765	100pF	5%	50V
2835 ©	3198 024 44730	47nF	5%	50V
2836 ©	3198 024 44730	47nF	5%	50V
2837	4822 124 40433	47µF	20%	25V
2838	4822 124 40248	10µF	20%	63V

2839	4822 124 40433	47µF	20%	25V
2840 ©	4822 126 14585	100nF	10%	50V
2841 ©	5322 126 10511	1nF	5%	50V
2842 ©	4822 126 14247	1,5nF	10%	50V
2844 ©	3198 016 31020	1nF	5%	25V

2850 ©	5322 126 11578	1nF	10%	63V
2851	4822 124 42383	220µF	20%	4V
2855 ©	4822 126 10326	180pF	5%	
2856 ©	4822 126 13691	27pF	1%	63V
2857 ©	5322 126 11583	10nF	10%	63V

2858	4822 124 12245	220µF	20%	16V
2860	4822 124 11947	10µF	20%	16V

CAPACITORS

2861	4822 124 11947	10µF	20%	16V
2862 ©	4822 126 13883	220pF	5%	50V
2863 ©	4822 126 13883	220pF	5%	50V
2865 ©	4822 126 14494	22nF	10%	25V
2867 ©	4822 126 13883	220pF	5%	50V
2872 ©	3198 024 44730	47nF	5%	50V
2873	4822 124 80231	47µF	20%	16V
2875	4822 124 11947	10µF	20%	16V
2876	4822 124 12245	220µF	20%	16V
2877 ©	4822 122 33777	47pF	5%	63V

2878 ©	4822 126 13883	220pF	5%	50V
2881	4822 124 40769	4,7µF	20%	100V
2882 ©	4822 126 13883	220pF	5%	50V
2885	4822 124 40769	4,7µF	20%	100V
2887 ©	4822 126 14585	100nF	10%	50V

2888	4822 124 80231	47µF	20%	16V
2891 ©	4822 126 14247	1,5nF	10%	50V
2893 ©	4822 122 33575	220pF	5%	50V
2894 ©	3198 017 44740	470nF	20%	10V
2895 ©	4822 126 14305	100nF	10%	16V

2896 ©	4822 126 14305	100nF	10%	16V
2897 ©	4822 126 14305	100nF	10%	16V

RESISTORS

3701 ©	4822 051 20479	47Ω	5%	0,1W
3702 ©	4822 051 20479	47Ω	5%	0,1W
3703 ©	4822 051 20479	47Ω	5%	0,1W
3704 ©	4822 117 12917	1Ω	5%	0,06W
3710 ©	4822 117 11148	56kΩ	1%	0,1W

3712 ©	4822 051 30109	10Ω	5%	0,06W
3713 ©	4822 051 30223	22kΩ	5%	0,06W
3714 ©	4822 051 30103	10kΩ	5%	0,06W
3715 ©	4822 117 13632	100kΩ	1%	0,06W
3716 ©	4822 051 30471	470Ω	5%	0,06W

3717 ©	4822 117 12917	1Ω	5%	0,06W
3719 ©	4822 051 30102	1kΩ	5%	0,06W
3720 ©	4822 051 20474	470kΩ	5%	0,1W
3721 ©	4822 051 20393	39kΩ	5%	0,1W
3723 ©	4822 051 30272	2,7kΩ	5%	0,06W

3724 ©	4822 117 12902	8,2kΩ	1%	0,06W
3725 ©	4822 051 30184	180kΩ	5%	0,06W
3730 ©	4822 051 20333	33kΩ	5%	0,1W
3740 ©	4822 051 20223	22kΩ	5%	0,1W
3741 ©	4822 051 20223	22kΩ	5%	0,1W

3742 ©	4822 051 20223	22kΩ	5%	0,1W
3743 ©	4822 051 20223	22kΩ	5%	0,1W
3744 ©	4822 051 30103	10kΩ	5%	0,06W
3746 ©	4822 051 30103	10kΩ	5%	0,06W
3750 ©	4822 051 30102	1kΩ	5%	0,06W

3751 ©	4822 051 30102	1kΩ	5%	0,06W
3789 ©	4822 051 30471	470Ω	5%	0,06W
3790 ©	4822 051 30561	560Ω	5%	0,06W
3791 ©	4822 051 30152	1,5kΩ	5%	0,06W
3792 ©	4822 051 30332	3,3kΩ	5%	0,06W

3793 ©	4822 117 12968	820Ω	5%	0,06W
3794 ©	4822 117 12968	820Ω	5%	0,06W
3795 ©	4822 051 30222	2,2kΩ	5%	0,06W
3796 ©	4822 051 30332	3,3kΩ	5%	0,06W
3798 ©	4822 051 30102	1kΩ	5%	0,06W

3799 ©	4822 051 30102	1kΩ	5%	0,06W
3800 ©	4822 117 11148	56kΩ	1%	0,1W
3801 ©	4822 051 30103	10kΩ	5%	0,06W
3802 ©	4822 117 11148	56kΩ	1%	0,1W

ELECTRICAL PARTSLIST 3CDC-LLC-DA11 MODULE

RESISTORS

3803	4822 117 10833	10kΩ	1%	0,1W
3804	4822 051 30103	10kΩ	5%	0,06W
3805	4822 051 30103	10kΩ	5%	0,06W
3806	4822 051 30103	10kΩ	5%	0,06W
3807	4822 051 30103	10kΩ	5%	0,06W
3808	4822 051 30103	10kΩ	5%	0,06W
3809	4822 051 20471	470Ω	5%	0,1W
3811	4822 117 11148	56kΩ	1%	0,1W
3812	4822 053 10228	2,2Ω	5%	1W
3813	4822 117 13608	4,7Ω	5%	0,06W
3814	4822 051 30339	33Ω	5%	0,06W
3815	4822 052 10478	4,7Ω	5%	NFR
3818	4822 051 30222	2,2kΩ	5%	0,06W
3819	4822 051 20471	470Ω	5%	0,1W
3820	4822 051 30222	2,2kΩ	5%	0,06W
3821	4822 051 30222	2,2kΩ	5%	0,06W
3822	4822 051 30222	2,2kΩ	5%	0,06W
3825	4822 051 10102	1kΩ	2%	0,25W
3826	4822 051 30223	22kΩ	5%	0,06W
3827	4822 051 20273	27kΩ	5%	0,1W
3828	4822 051 20223	22kΩ	5%	0,1W
3831	4822 051 30101	100Ω	5%	0,06W
3832	4822 051 30103	10kΩ	5%	0,06W
3833	4822 051 20393	39kΩ	5%	0,1W
3834	4822 051 20393	39kΩ	5%	0,1W
3835	4822 052 10478	4,7Ω	5%	NFR
3837	4822 051 10102	1kΩ	2%	0,25W
3838	4822 051 30102	1kΩ	5%	0,06W
3839	4822 051 20124	120kΩ	5%	0,1W
3840	4822 051 30124	120kΩ	5%	0,06W
3841	4822 117 10833	10kΩ	1%	0,1W
3842	4822 117 10833	10kΩ	1%	0,1W
3843	4822 117 10834	47kΩ	1%	0,1W
3844	4822 051 30332	3,3kΩ	5%	0,06W
3845	4822 117 10833	10kΩ	1%	0,1W
3846	4822 117 10834	47kΩ	1%	0,1W
3847	4822 051 30472	4,7kΩ	5%	0,06W
3849	4822 051 20334	330kΩ	5%	0,1W
3850	4822 051 30103	10kΩ	5%	0,06W
3851	4822 052 10338	3,3Ω		NFR25
3852	4822 052 10228	2,2Ω	5%	0,33W
3853	4822 051 20471	470Ω	5%	0,1W
3858	4822 117 12925	47kΩ	1%	0,06W
3859	4822 117 10834	47kΩ	1%	0,1W
3860	4822 117 10833	10kΩ	1%	0,1W
3861	4822 051 30103	10kΩ	5%	0,06W
3862	4822 051 20121	120Ω	5%	0,1W
3863	4822 117 11373	100Ω	1%	0,1W
3864	4822 117 11373	100Ω	1%	0,1W
3865	4822 051 30101	100Ω	5%	0,06W
3867	4822 051 30121	120Ω	5%	0,06W
3868	4822 051 30101	100Ω	5%	0,06W
3870	4822 051 20472	4,7kΩ	5%	0,1W
3871	4822 051 30103	10kΩ	5%	0,06W
3873	4822 051 20471	470Ω	5%	0,1W
3875	4822 051 30103	10kΩ	5%	0,06W
3876	4822 117 13632	100kΩ	1%	0,06W
3877	4822 051 30103	10kΩ	5%	0,06W
3878	4822 051 30103	10kΩ	5%	0,06W
3879	4822 117 10837	100kΩ	1%	0,1W
3880	4822 051 30392	3,9kΩ	5%	0,06W
3881	4822 117 13632	100kΩ	1%	0,06W
3882	4822 117 12925	47kΩ	1%	0,06W

RESISTORS

3883	4822 117 10833	10kΩ	1%	0,1W
3884	4822 051 30271	270Ω	5%	0,06W
3885	4822 117 10833	10kΩ	1%	0,1W
3886	4822 117 12925	47kΩ	1%	0,06W
3887	4822 051 30221	220Ω	5%	0,06W
3888	4822 117 10833	10kΩ	1%	0,1W
3889	4822 051 20471	470Ω	5%	0,1W
3890	4822 051 30102	1kΩ	5%	0,06W
3891	4822 051 30102	1kΩ	5%	0,06W
3892	4822 051 20471	470Ω	5%	0,1W
3893	4822 051 30471	470Ω	5%	0,06W
3894	4822 051 30101	100Ω	5%	0,06W
3895	4822 117 12971	15Ω	5%	0,06W
3898	4822 051 30221	220Ω	5%	0,06W
3899	4822 051 30101	100Ω	5%	0,06W
3900	4822 117 12955	2,7kΩ	1%	0,1W
3901	4822 117 10833	10kΩ	1%	0,1W
3904	4822 117 13632	100kΩ	1%	0,06W
4800	4822 051 20008			CHIP JUMPER 0805
4801	4822 051 20008			CHIP JUMPER 0805
4802	4822 051 20008			CHIP JUMPER 0805
4803	4822 051 30008			CHIP JUMPER 0603
4804	4822 051 20008			CHIP JUMPER 0805
4805	4822 051 30008			CHIP JUMPER 0603
4806	4822 051 20008			CHIP JUMPER 0805
4807	4822 051 20008			CHIP JUMPER 0805
4808	4822 051 20008			CHIP JUMPER 0805
4811	4822 051 20008			CHIP JUMPER 0805
4814	4822 051 20008			CHIP JUMPER 0805
4817	4822 051 20008			CHIP JUMPER 0805
4818	4822 051 20008			CHIP JUMPER 0805
4819	4822 051 20008			CHIP JUMPER 0805
4820	4822 051 20008			CHIP JUMPER 0805
4821	4822 051 20008			CHIP JUMPER 0805
4822	4822 051 20008			CHIP JUMPER 0805
4823	4822 051 20008			CHIP JUMPER 0805
4824	4822 051 30008			CHIP JUMPER 0603
4825	4822 051 30008			CHIP JUMPER 0603
4826	4822 051 20008			CHIP JUMPER 0805
4828	4822 051 20008			CHIP JUMPER 0805
4829	4822 051 20008			CHIP JUMPER 0805
4830	4822 051 20008			CHIP JUMPER 0805
4831	4822 051 20008			CHIP JUMPER 0805
4832	4822 051 30008			CHIP JUMPER 0603
4833	4822 051 20008			CHIP JUMPER 0805
4834	4822 051 20008			CHIP JUMPER 0805
4835	4822 051 20008			CHIP JUMPER 0805
4838	4822 051 30008			CHIP JUMPER 0603
4840	4822 051 20008			CHIP JUMPER 0805
4841	4822 051 30008			CHIP JUMPER 0603
4842	4822 051 20008			CHIP JUMPER 0805
4844	4822 051 20008			CHIP JUMPER 0805
4845	4822 051 20008			CHIP JUMPER 0805
4846	4822 051 20008			CHIP JUMPER 0805
4847	4822 051 20008			CHIP JUMPER 0805
4848	4822 051 20008			CHIP JUMPER 0805
4850	4822 051 20008			CHIP JUMPER 0805
4876	4822 051 20008			CHIP JUMPER 0805

ELECTRICAL PARTSLIST 3CDC-LLC-DA11 MODULE

COILS

1810	4822 242 73557	CERAMIC RES. 8,46MHz
------	----------------	----------------------

DIODES

6871	4822 130 11397	BAS316
6872	4822 130 11397	BAS316
6873	4822 130 11397	BAS316
6874	4822 130 11397	BAS316
6875	9340 548 52115	BZX284-C5V1
6877	9322 129 34685	BZX284-C3V9
6878	4822 130 11397	BAS316
6879	9322 129 34685	BZX284-C3V9

TRANSISTORS

7802	5322 130 60123	BC807-40
7808	4822 130 60511	BC847B
7809	4822 130 60511	BC847B
7810	4822 130 60511	BC847B
7812	4822 130 60511	BC847B

7874	4822 130 60511	BC847B
7875	4822 130 60511	BC847B

INTEGRATED CIRCUITS

7803	5322 209 82941	LM358D, Dual Opamp
7805	4822 209 33165	TDA1308T/N1
7806	4822 209 32852	TDA7073A/N2
7807	4822 209 32852	TDA7073A/N2
7871	4822 209 32852	TDA7073A/N2

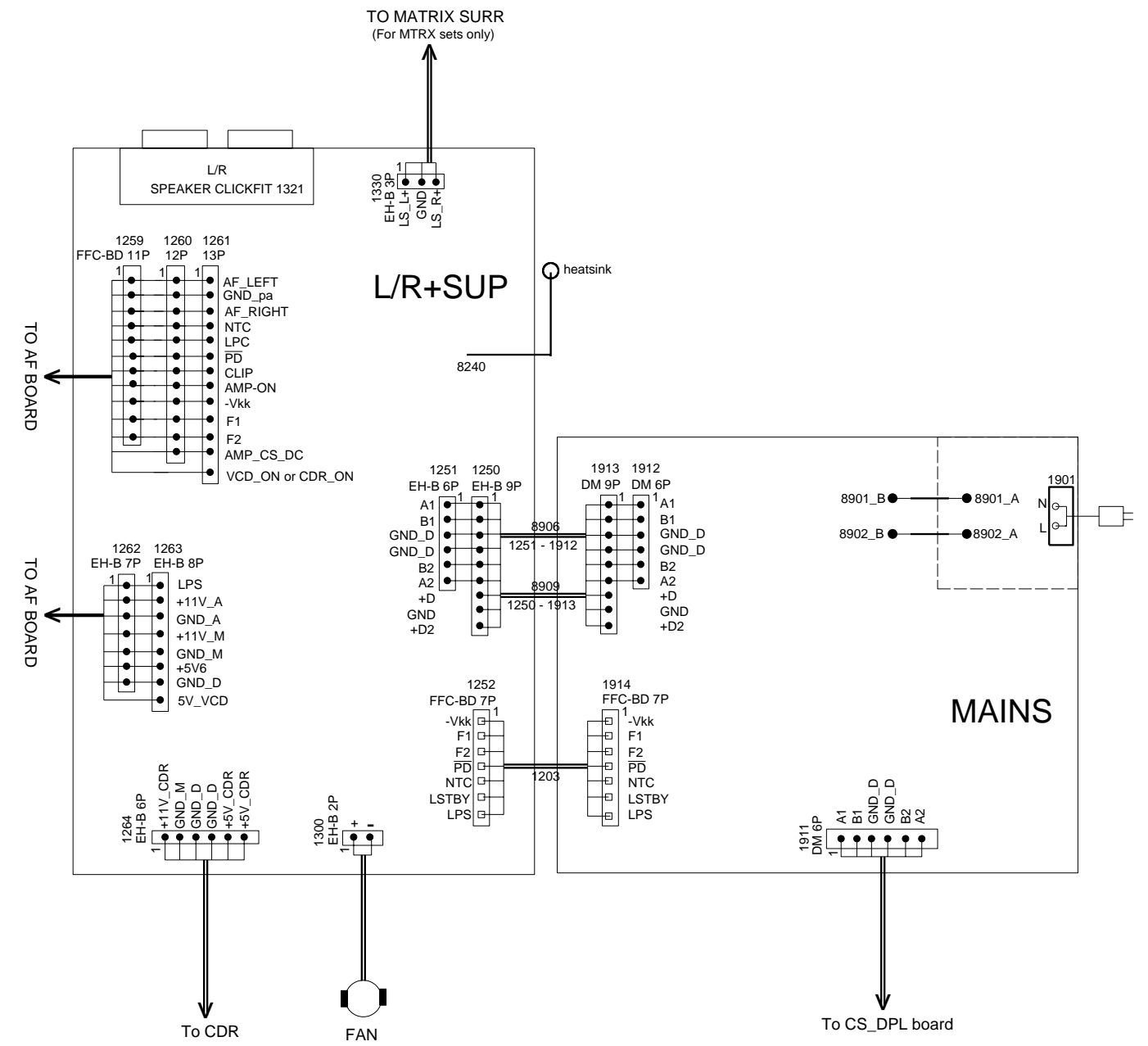
7873	5322 209 11306	HEF4094BT, SHIFT REGISTER
7877	9352 641 80557	SAA7324H/M2B,"CD10" SIGN.PROC.

WIRING DIAGRAM

P2002 110/135W MODULE

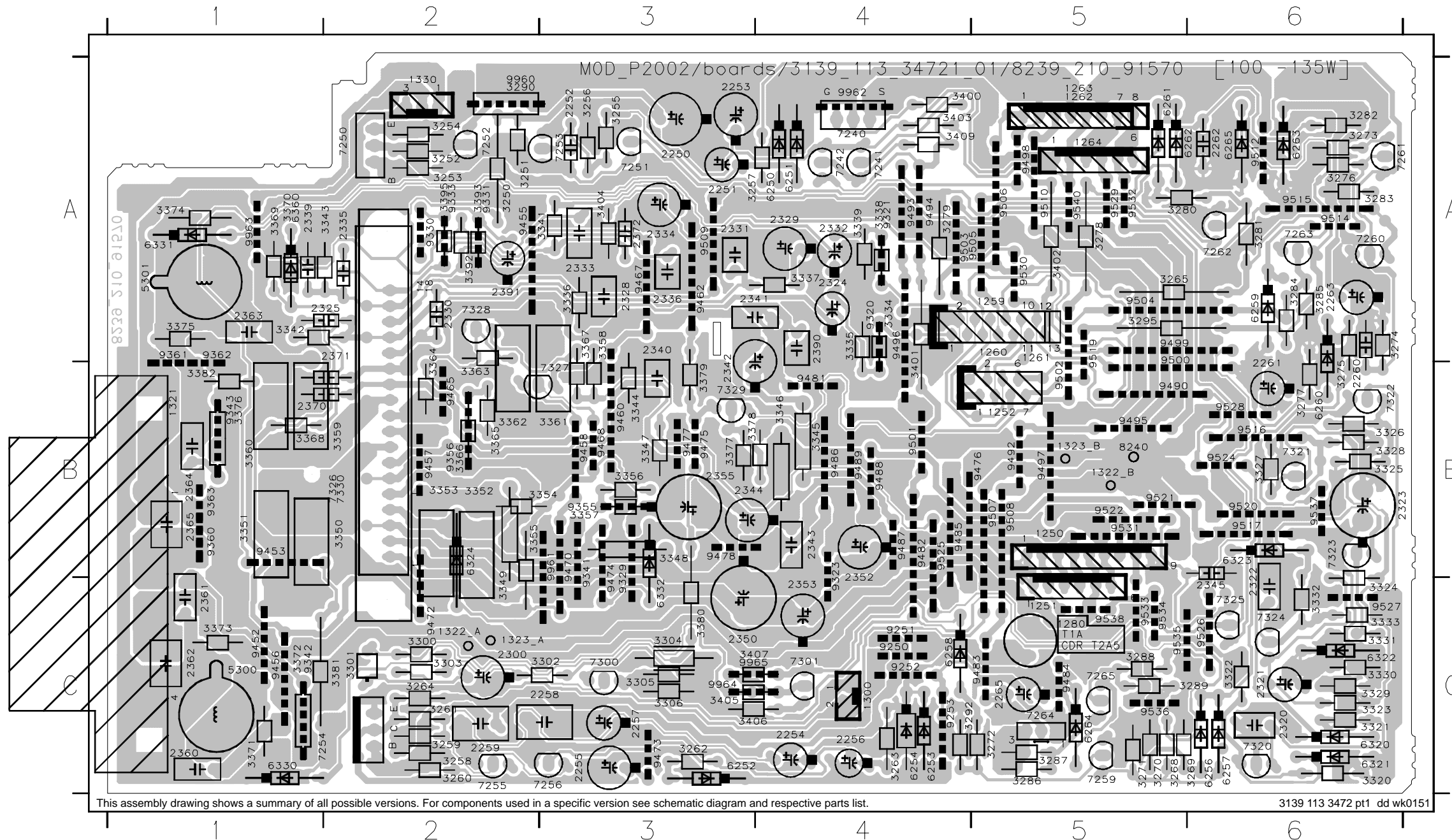
TABLE OF CONTENTS

Wiring diagram 11-1
 Mains Board - Component layout 11-2
 Mains Socket - Layout and Circuit diagram 11-2
 Mains Board - Circuit diagram 11-3
 L/R Amp. & Supply Board - Component layout 11-4
 L/R Amp. & Supply Board - Circuit diagram (Part 1) 11-5
 L/R Amp. & Supply Board - Circuit diagram (Part 2) 11-6
 L/R Amp. & Supply Board - Circuit diagram (Part 3) 11-7
 Electrical parts list 11-7



LEFT/RIGHT AMPLIFIER & SUPPLY BOARD - COMPONENT VIEW

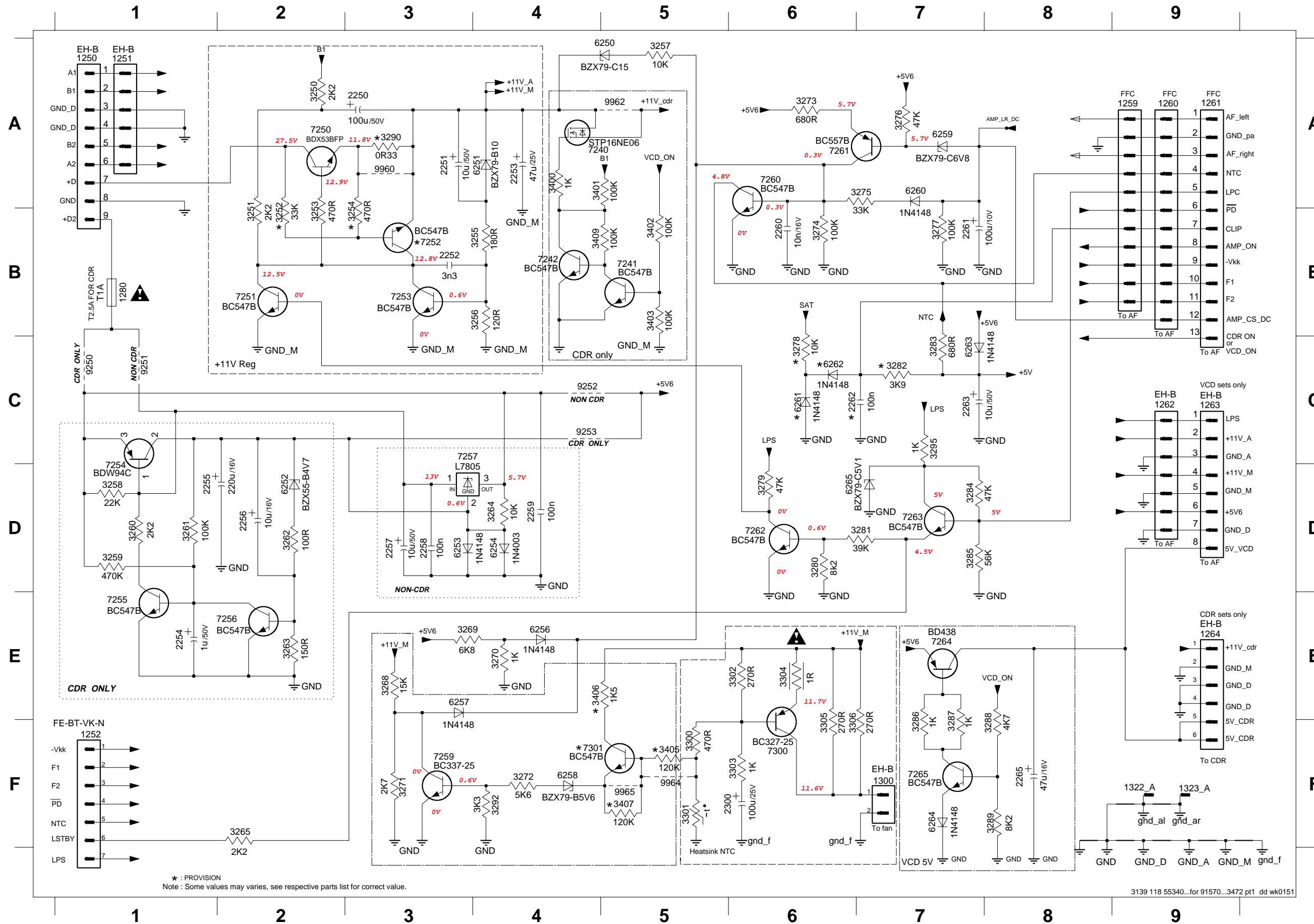
1250 B5	2260 B6	2345 C6	3261 C2	3290 A2	3337 A4	3365 B2	3406 C3	6332 C3	7326 B2	9453 B1	9490 B5	9521 B5
1251 C5	2261 B6	2350 C3	3262 C3	3292 C4	3338 A4	3366 B2	3407 C3	6360 A1	7327 B3	9455 A2	9492 B5	9522 B5
1252 B5	2262 A6	2352 B4	3263 C3	3295 A5	3339 A4	3367 A3	3409 A4	7240 A4	7328 A2	9456 C1	9493 A4	9524 B6
1259 A5	2263 A6	2353 C4	3264 C2	3300 C2	3341 A3	3368 B1	5300 C1	7241 A4	7329 B3	9457 B2	9494 A4	9525 B4
1260 A5	2265 C5	2355 B3	3265 A5	3301 C2	3342 A1	3369 A1	5301 A1	7242 A4	7330 B2	9458 B3	9495 B5	9526 C6
1261 A5	2300 C2	2360 C1	3268 C5	3302 C3	3343 A2	3370 A1	6250 A4	7250 A2	8240 B5	9460 B3	9496 A4	9527 C6
1262 A5	2320 C6	2361 C1	3269 C6	3303 C2	3344 B3	3371 C1	6251 A4	7251 A3	9250 C4	9462 A3	9497 B5	9528 B6
1263 A5	2321 C6	2362 C1	3270 C5	3304 C3	3345 B4	3372 C1	6252 C3	7252 A2	9251 C4	9465 B2	9498 A5	9529 A5
1264 A5	2322 C6	2363 A1	3271 C5	3305 C3	3346 B4	3373 C1	6253 C4	7253 A3	9252 C4	9467 A3	9499 A5	9530 A5
1280 C5	2323 B6	2364 B1	3272 C5	3306 C3	3347 B3	3374 A1	6254 C4	7254 C1	9253 C4	9468 B3	9500 A5	9531 B5
1300 C4	2324 A4	2365 B1	3273 A6	3320 C6	3348 B3	3375 A1	6256 C6	7255 C2	9320 A4	9470 B3	9501 B4	9532 A5
1321 B1	2325 A2	2370 B1	3274 A6	3321 C6	3349 C2	3376 B1	6257 C6	7256 C3	9321 A4	9472 C2	9502 B5	9533 C5
1322_A C2	2328 A3	2371 A2	3275 B6	3322 C6	3350 B2	3377 B3	6258 C4	7259 C5	9323 B4	9473 C3	9503 A4	9534 C5
1322_B B5	2329 A4	2372 A3	3276 A6	3323 C6	3351 B1	3378 B3	6259 A6	7260 A6	9329 C3	9474 C3	9504 A5	9535 C5
1323_A C2	2330 A2	2390 A4	3277 B6	3324 C6	3352 B2	3379 B3	6260 B6	7261 A6	9330 A2	9475 B3	9505 A5	9536 C5
1323_B B5	2331 A3	2391 A2	3278 A5	3325 B6	3353 B2	3380 C3	6261 A5	7262 A6	9331 A2	9476 B5	9506 A5	9537 B6
1330 A2	2332 A4	3250 A2	3279 A4	3326 B6	3354 B3	3381 C2	6262 A6	7263 A6	9333 A2	9477 B3	9507 B5	9538 C5
2250 A3	2333 A3	3251 A2	3280 A5	3327 B6	3355 B2	3382 B1	6263 A6	7264 C5	9341 B3	9478 B3	9508 B5	9540 A5
2251 A3	2334 A3	3252 A2	3281 A6	3328 B6	3356 B3	3392 A2	6264 C5	7265 C5	9342 C1	9481 B4	9509 A3	9960 A2
2252 A3	2335 A2	3253 A2	3282 A6	3329 C6	3357 B3	3393 A2	6265 A6	7300 C3	9343 B1	9482 B4	9510 A5	9961 B3
2253 A3	2336 A3	3254 A2	3283 A6	3330 C6	3358 A3	3395 A2	6320 C6	7301 C4	9355 B3	9483 C5	9512 A6	9962 A4
2254 C4	2339 A1	3255 A3	3284 A6	3331 C6	3359 B2	3400 A4	6321 C6	7320 C6	9356 B2	9484 C5	9514 A6	9963 A1
2255 C3	2340 A3	3256 A3	3285 A6	3332 C6	3360 B1	3401 B4	6322 C6	7321 B6	9360 B1	9485 B4	9515 A6	9964 C3
2256 C4	2341 A3	3257 A3	3286 C5	3333 C6	3361 B3	3402 A5	6323 B6	7322 B6	9361 A1	9486 B4	9516 B6	9965 C3
2257 C3	2342 B3	3258 C2	3287 C5	3334 A4	3362 B2	3403 A4	6324 B2	7323 C6	9362 A1	9487 B4	9517 B6	
2258 C3	2343 B4	3259 C2	3288 C5	3335 B4	3363 B2	3404 A3	6330 C1	7324 B6	9363 B1	9488 B4	9519 A5	
2259 C2	2344 B3	3260 C2	3289 C6	3336 A3	3364 B2	3405 C3	6331 A1	7325 C6	9452 C1	9489 B4	9520 B6	



This assembly drawing shows a summary of all possible versions. For components used in a specific version see schematic diagram and respective parts list.

3139 113 3472 p11 dd wk0151

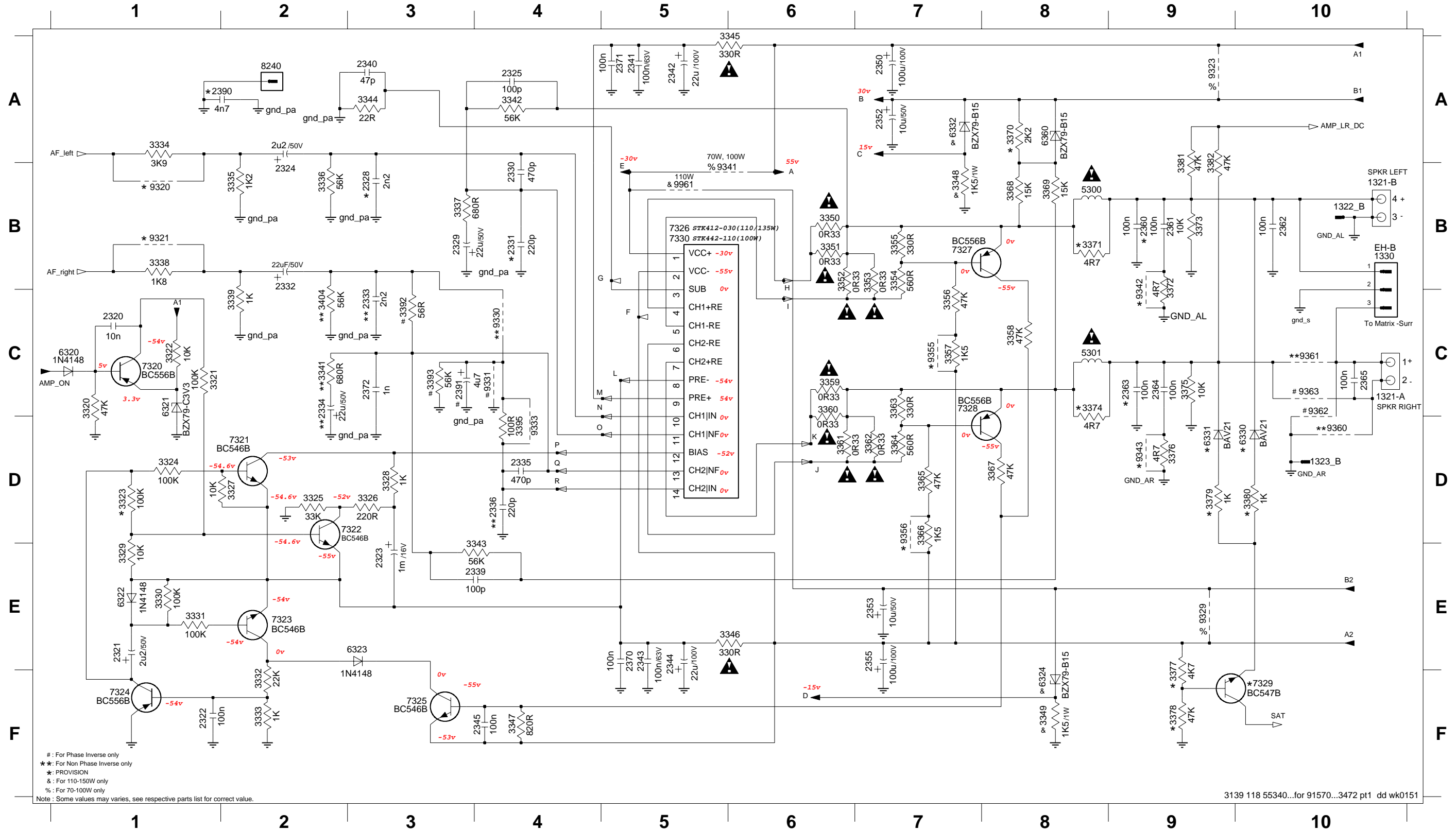
LEFT/RIGHT AMPLIFIER & SUPPLY BOARD - CIRCUIT DIAGRAM (PART 1)



1250 A1	7242 B4
1251 A1	7250 A2
1252 F1	7251 B2
1259 A9	7252 B3
1260 A9	7253 B3
1261 A9	7254 C1
1262 C9	7255 E1
1263 C9	7256 E1
1264 E9	7257 C3
1280 B1	7259 F3
1300 F7	7260 A6
1322_A F9	7261 A6
1323_A F9	7262 D6
2250 A3	7263 D7
2251 A3	7264 E7
2252 B3	7265 F7
2253 A4	7300 F6
2254 E1	7301 F4
2255 D1	9250 C1
2256 D2	9251 C1
2257 D3	9252 C4
2258 D3	9253 C4
2259 D4	9960 A3
2260 B6	9962 A5
2261 B7	9964 F5
2262 C6	
2263 C7	
2265 F8	
2300 F6	
3250 A2	
3251 B2	
3252 B2	
3253 B2	
3254 B3	
3255 B3	
3256 B3	
3257 A5	
3258 D1	
3259 D1	
3260 D1	
3261 D1	
3262 D2	
3263 E2	
3264 D4	
3265 F2	
3268 E3	
3269 E3	
3270 E4	
3271 F3	
3272 F4	
3273 A6	
3274 B6	
3275 A7	
3276 B7	
3277 B7	
3278 C6	
3279 D6	
3280 D6	
3281 D7	
3282 C7	
3283 C7	
3284 D7	
3285 D7	
3287 F7	
3288 F8	
3289 F8	
3290 A3	
3292 F4	
3295 C7	
3300 F5	
3301 F5	
3302 E6	
3303 F6	
3304 E6	
3305 F6	
3306 F6	
3400 A4	
3401 A4	
3402 B5	
3403 B5	
3405 F5	
3406 E4	
3407 F5	
3409 B4	
6250 A5	
6251 A3	
6252 D2	
6253 D3	
6254 D4	
6256 E4	
6257 E3	
6258 F4	
6259 A7	
6260 A7	
6261 C6	
6262 C6	
6263 C7	
6264 F7	
6265 D6	
7240 A4	
7241 B5	

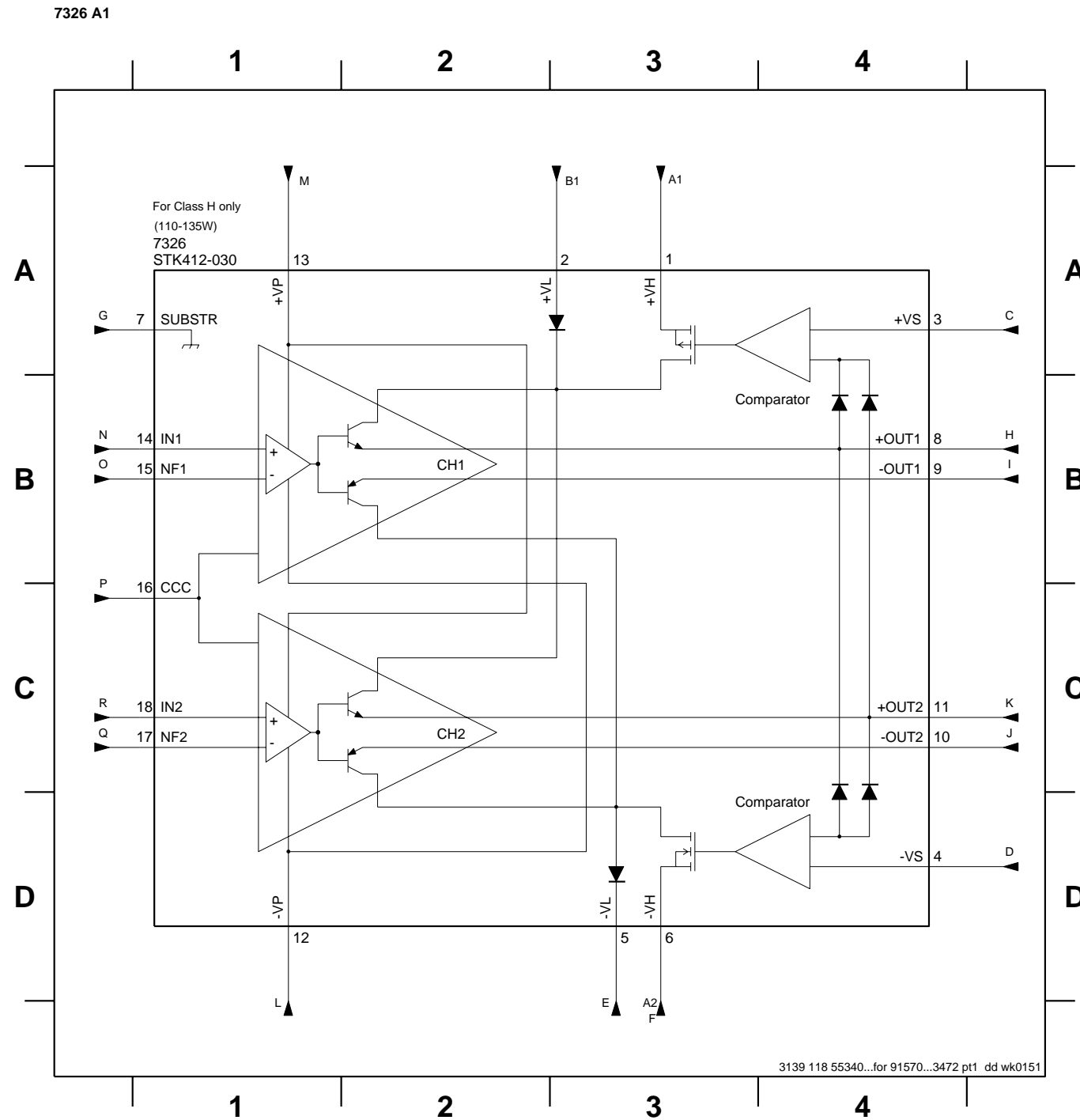
LEFT/RIGHT AMPLIFIER & SUPPLY BOARD - CIRCUIT DIAGRAM (PART 2)

1321-A C10	2322 F1	2331 B4	2340 A3	2352 A7	2364 C9	3320 C1	3327 D2	3334 A1	3342 A4	3349 F8	3356 C7	3363 C7	3370 A8	3377 F9	3393 C3	6322 E1	7320 C1	7328 C7	9329 E9	9355 C7
1321-B B10	2323 E3	2332 B2	2341 A5	2353 E7	2365 C10	3321 C1	3328 D3	3335 B2	3343 E4	3350 B6	3357 C7	3364 D7	3371 B8	3378 F9	3395 D4	6323 E3	7321 D2	7329 F10	9330 C4	9356 D7
1322_B B10	2324 B2	2333 C3	2342 A5	2355 E7	2370 E5	3322 C1	3329 E1	3336 B2	3344 A3	3351 B6	3358 C8	3365 D7	3372 B9	3379 D9	3404 C2	6324 F8	7322 D2	7330 B5	9331 C4	9360 D10
1323_B D10	2325 A4	2334 C2	2343 E5	2360 B9	2371 A5	3323 D1	3330 E1	3337 B3	3345 A6	3352 B6	3359 C6	3366 D7	3373 B9	3380 D10	5300 B8	6330 D10	7323 E1	8240 A2	9333 D4	9361 C10
1330 B10	2328 B3	2335 D4	2344 E5	2361 B9	2372 C3	3324 D1	3331 E1	3338 B1	3346 E6	3353 B7	3360 C6	3367 D8	3374 C8	3381 B9	5301 C8	6331 D9	7324 F1	9320 B1	9341 B5	9362 C10
2320 C1	2329 B3	2336 D4	2345 F4	2362 B10	2390 A2	3325 D2	3332 F2	3339 C2	3347 F4	3354 B7	3361 D6	3368 B8	3375 C9	3382 B9	6320 C1	6332 A7	7325 F3	9321 B1	9342 B9	9363 C10
2321 E1	2330 B4	2339 E4	2350 A7	2363 C9	2391 C3	3326 D3	3333 F2	3341 C2	3348 B7	3355 B7	3362 D7	3369 B8	3376 D9	3392 C3	6321 C1	6360 A8	7327 B7	9323 A9	9343 D9	9961 B5



: For Phase Inverse only
 ** : For Non Phase Inverse only
 * : PROVISION
 & : For 110-150W only
 % : For 70-100W only
 Note : Some values may varies, see respective parts list for correct value.

LEFT/RIGHT AMPLIFIER & SUPPLY BOARD - CIRCUIT DIAGRAM (PART 3)



ELECTRICAL PARTS LIST - MAINS BOARD

1923	4822 071 55002	△ Fuse T5A
1924	4822 071 55002	△ Fuse T5A
1925	4822 071 52502	△ Fuse T2,5A
1926	4822 071 51602	△ Fuse T1,6A

5903	3103 308 30800	△ Standby Transformer /37
5905	4822 280 10382	△ Relay

CAPACITORS

2901	4822 121 43526	47nF 5% 250V	
2902	4822 121 43526	47nF 5% 250V	
2903	4822 124 40207	100uF 20% 25V	/21/21M
2904	4822 124 40255	100uF 20% 63V	
2912	4822 124 21913	1uF 20% 63V	
2921	4822 121 40518	100nF 10% 250V	
2922	4822 121 40518	100nF 10% 250V	
2923	4822 121 40518	100nF 10% 250V	
2924	4822 121 43526	47nF 5% 250V	
2925	4822 121 43526	47nF 5% 250V	
2926	4822 121 43526	47nF 5% 250V	
2927	4822 124 12423	4700uF 20% 63V	
2928	4822 124 12423	4700uF 20% 63V	
2930	2022 020 00644	3300uF 20% 50V	
2932	2022 020 00644	3300uF 20% 50V	
2941	5322 121 42386	100nF 5% 63V	
2942	5322 121 42386	100nF 5% 63V	
2944	4822 124 42367	3300uF 20% 35V	
2945	4822 124 12328	6800uF 25V	
2948	4822 123 14025	2200uF 20% 16V	

RESISTORS

3901	4822 053 21106	△ 10M 5% 0,5W	/37
3902	4822 053 10121	120R 5% 1W	/37
3903	4822 050 11002	1k 1% 0,4W	
3904	4822 050 11002	1k 1% 0,4W	
3905	4822 116 52283	4k7 5% 0,5W	/21/21M
3905	4822 116 52244	15k 5% 0,5W	/37
3906	4822 116 52256	2k2 5% 0,5W	/21/21M
3907	4822 050 21003	10k 1% 0,6W	/21/21M
3912	4822 116 52234	100k 5% 0,5W	
3913	4822 050 21003	10k 1% 0,6W	
3914	4822 116 52176	10R 5% 0,5W	
3922	4822 050 23303	33k 1% 0,6W	
3923	4822 050 23303	33k 1% 0,6W	
3941	4822 117 11342	△ 0R33 5% 2W	
3942	4822 117 11342	△ 0R33 5% 2W	
3951	4822 052 10479	△ 47R 5% 0,33W	
3952	4822 116 83961	6k8 5%	
3953	4822 116 83961	6k8 5%	
3954	4822 116 83881	390R 5% 0,5W	
3955	4822 050 11002	1k 1% 0,4W	

DIODES

6900	4822 130 31878	1N4003G	/37
6901	4822 130 32245	BYV10-40	/21/21M
6901	4822 130 31878	1N4003G	/37
6902	4822 130 32245	BYV10-40	/21/21M
6902	4822 130 31878	1N4003G	/37
6903	4822 130 32245	BYV10-40	/21/21M
6903	4822 130 31878	1N4003G	/37
6904	4822 130 32245	BYV10-40	/21/21M
6904	4822 130 31878	1N4003G	/37
6905	4822 130 30621	1N4148	
6906	4822 130 30621	1N4148	
6907	4822 130 34382	BZX79-C8V2	/21/21M
6908	4822 130 32245	BYV10-40	/21/21M
6909	4822 130 31878	1N4003G	/21/21M
6910	4822 130 30621	1N4148	
6911	4822 130 30621	1N4148	
6915	4822 130 30621	1N4148	
6916	4822 130 34382	BZX79-C8V2	
6917	4822 130 30621	1N4148	
6918	4822 130 30621	1N4148	
6921	4822 130 10944	△ GBU6D	
6922	4822 130 10944	△ GBU6D	
6923	4822 130 31878	1N4003G	
6923	5322 130 80686	1N5392	
6924	4822 130 31878	1N4003G	
6924	5322 130 80686	1N5392	
6925	4822 130 31878	1N4003G	
6925	5322 130 80686	1N5392	
6926	4822 130 31878	1N4003G	
6926	5322 130 80686	1N5392	
6927	4822 130 31878	1N4003G	
6927	5322 130 80686	1N5392	
6928	4822 130 31878	1N4003G	
6928	5322 130 80686	1N5392	
6930	4822 130 34233	BZX79-C5V1	
6955	4822 130 34142	BZX79-C33	
6956	4822 130 31878	1N4003G	

TRANSISTORS & INTEGRATED CIRCUITS

7901	4822 130 41246	BC327-25	/21/21M
7902	4822 130 40959	BC547B	/21/21M
7911	4822 130 40959	BC547B	
7912	4822 130 40959	BC547B	
7951	9322 003 63676	TBC327-40	
7952	9322 003 63676	TBC327-40	

ELECTRICAL PARTS LIST - MAINS BOARD

MISCELLANEOUS

1901	4822 265 31015	△ Mains Socket	/21/21M	1905	2422 086 10963	△ Fuse T5A	/21/21M
1901	2422 030 00328	△ Mains Socket	/37	1905	4822 252 51123	△ Fuse T6,3A	/37
1902	2422 129 16478	△ Voltage Selector	/21/21M	1914	4822 267 10953	Flex Connector 7P	
1903	4822 071 52001	△ Fuse T200mA	/21/21M	1921	4822 071 55002	△ Fuse T5A	
1904	4822 071 52001	△ Fuse T200mA	/21/21M	1922	4822 071 55002	△ Fuse T5A	

COILS & FILTERS

5901	4822 157 11628	△ Mains Choke	/21/21M
5903	3103 308 30600	△ Standby Transformer	/21/21M

Note : Only the parts mentioned in this list are normal service spare parts.

ELECTRICAL PARTS LIST - LEFT/RIGHT AMPLIFIER & SUPPLY BOARD

MISCELLANEOUS

0028	3139 114 73910	Holder STK PWR2002 150W
1252	4822 267 10953	Flex Connector 7P
1259	4822 267 11039	Flex Connector 11P
1280	4822 071 51002	△ Fuse T1A
1321	4822 267 31176	L/R Speaker Terminal

CAPACITORS

2250	4822 124 40255	100uF 20% 63V
2251	4822 124 40248	10uF 20% 63V
2252	4822 122 10577	3,3nF 10% 16V
2253	4822 124 40433	47uF 20% 25V
2257	4822 124 40248	10uF 20% 63V
2258	5322 121 42386	100nF 5% 63V
2259	5322 121 42386	100nF 5% 63V
2260	4822 121 51387	10nF 20% 16V
2261	4822 124 41584	100uF 20% 10V
2263	4822 124 40248	10uF 20% 63V
2300	4822 124 40207	100uF 20% 25V
2320	4822 121 43693	10nF 100V
2321	4822 124 22652	2,2uF 20% 50V
2322	5322 121 42386	100nF 5% 63V
2323	4822 124 81144	1000uF 16V
2324	4822 124 22652	2,2uF 20% 50V
2325	4822 122 33195	100pF 10% 50V
2329	4822 124 81151	22uF 50V
2330	4822 122 33519	470pF 10% 50V
2332	4822 124 81151	22uF 50V
2335	4822 122 33519	470pF 10% 50V
2339	4822 122 33195	100pF 10% 50V
2340	4822 126 12726	47pF 5% 50V
2341	5322 121 42386	100nF 5% 63V
2342	4822 124 40764	22uF 100 V
2343	5322 121 42386	100nF 5% 63V
2344	4822 124 40764	22uF 100 V
2345	2020 561 90365	100nF +80/-20% 50V
2350	2020 012 93547	100uF 20% 63V
2352	4822 124 40248	10uF 20% 63V
2353	4822 124 40248	10uF 20% 63V
2355	2020 012 93547	100uF 20% 63V
2361	5322 121 42386	100nF 5% 63V
2362	5322 121 42386	100nF 5% 63V
2364	5322 121 42386	100nF 5% 63V
2365	5322 121 42386	100nF 5% 63V
2370	2020 561 90365	100nF +80/-20% 50V
2371	2020 561 90365	100nF +80/-20% 50V
2372	4822 122 33197	1nF 10% 50V
2391	4822 124 40769	4,7uF 20% 100V

RESISTORS

3250	4822 116 52256	2k2 5% 0,5W
3251	4822 116 52256	2k2 5% 0,5W
3253	4822 116 83883	470R 5% 0,5W

3255	4822 116 52213	180R 5% 0,5W
3256	4822 116 52206	120R 5% 0,5W
3257	4822 050 21003	10k 1% 0,6W
3264	4822 050 21003	10k 1% 0,6W
3265	4822 116 52256	2k2 5% 0,5W
3268	4822 116 52244	15k 5% 0,5W
3269	4822 116 83961	6k8 5%
3270	4822 050 11002	1k 1% 0,4W
3271	4822 116 52263	2k7 5% 0,5W
3272	4822 116 52289	5k6 5% 0,5W
3273	4822 116 52228	680R 5% 0,5W
3274	4822 116 52234	100k 5% 0,5W
3275	4822 050 23303	33k 1% 0,6W
3276	4822 116 83884	47k 5% 0,5W
3277	4822 116 52234	100k 5% 0,5W
3279	4822 116 83884	47k 5% 0,5W
3280	4822 116 52303	8k2 5% 0,5W
3281	4822 116 83882	39k 5% 0,5W
3283	4822 116 52228	680R 5% 0,5W
3284	4822 116 83884	47k 5% 0,5W
3285	4822 116 52291	56k 5% 0,5W
3292	4822 116 52269	3k3 5% 0,5W
3295	4822 050 11002	1k 1% 0,4W
3300	4822 116 83883	470R 5% 0,5W
3301	4822 117 12063	NTC DC 5W 10k 5%
3302	4822 116 83876	270R 5% 0,5W
3303	4822 050 11002	1k 1% 0,4W
3304	4822 052 10108	△ 1R 5% 0,33W
3305	4822 116 83876	270R 5% 0,5W
3306	4822 116 83876	270R 5% 0,5W
3320	4822 116 83884	47k 5% 0,5W
3321	4822 116 52234	100k 5% 0,5W
3322	4822 050 21003	10k 1% 0,6W
3324	4822 116 52234	100k 5% 0,5W
3325	4822 050 23303	33k 1% 0,6W
3326	4822 116 83872	220R 5% 0,5W
3327	4822 050 21003	10k 1% 0,6W
3328	4822 050 11002	1k 1% 0,4W
3329	4822 050 21003	10k 1% 0,6W
3330	4822 116 52234	100k 5% 0,5W
3331	4822 116 52234	100k 5% 0,5W
3332	4822 116 52257	22k 5% 0,5W
3333	4822 050 11002	1k 1% 0,4W
3334	4822 116 52276	3k9 5% 0,5W
3335	4822 116 52207	1k2 5% 0,5W
3336	4822 116 52291	56k 5% 0,5W
3337	4822 116 52228	680R 5% 0,5W
3338	4822 116 52249	1k8 5% 0,5W
3339	4822 050 11002	1k 1% 0,4W
3342	4822 116 52291	56k 5% 0,5W
3343	4822 116 52291	56k 5% 0,5W
3344	4822 116 52186	22R 5% 0,5W

ELECTRICAL PARTS LIST - LEFT/RIGHT AMPLIFIER & SUPPLY BOARD

3345	4822 053 10221	△ 220R 5% 1W	/21/21M
3345	4822 053 10331	△ 330R 5% 1W	/37
3346	4822 053 10221	△ 220R 5% 1W	/21/21M
3346	4822 053 10331	△ 330R 5% 1W	/37
3347	4822 116 52231	820R 5% 0,5W	
3348	4822 053 10152	1k5 5% 1W	
3349	4822 053 10152	1k5 5% 1W	
3350	2322 194 96001	△ 0R33 5%	
3351	2322 194 96001	△ 0R33 5%	
3352	2322 194 96001	△ 0R33 5%	
3353	2322 194 96001	△ 0R33 5%	
3354	4822 116 52226	560R 5% 0,5W	
3355	4822 116 52219	330R 5% 0,5W	
3356	4822 116 83884	47k 5% 0,5W	
3357	4822 116 52243	1k5 5% 0,5W	
3358	4822 116 83884	47k 5% 0,5W	
3359	2322 194 96001	△ 0R33 5%	
3360	2322 194 96001	△ 0R33 5%	
3361	2322 194 96001	△ 0R33 5%	
3362	2322 194 96001	△ 0R33 5%	
3363	4822 116 52219	330R 5% 0,5W	
3364	4822 116 52226	560R 5% 0,5W	
3365	4822 116 83884	47k 5% 0,5W	
3366	4822 116 52243	1k5 5% 0,5W	
3367	4822 116 83884	47k 5% 0,5W	
3368	4822 116 52244	15k 5% 0,5W	
3369	4822 116 52244	15k 5% 0,5W	
3372	4822 053 10478	4R7 5% 1W	
3373	4822 050 21003	10k 1% 0,6W	
3375	4822 050 21003	10k 1% 0,6W	
3376	4822 053 10478	4R7 5% 1W	
3381	4822 116 83884	47k 5% 0,5W	
3382	4822 116 83884	47k 5% 0,5W	
3392	4822 050 15609	56R 1% 0,4W	
3393	4822 116 52291	56k 5% 0,5W	
3395	4822 116 52175	100R 5% 0,5W	

COILS & FILTERS

5300	4822 157 70599	△ IND FXD BEAD EMI
5301	4822 157 70599	△ IND FXD BEAD EMI

DIODES

6250	4822 130 34281	BZX79-C15
6251	4822 130 61219	BZX79-B10
6253	4822 130 30621	1N4148
6254	4822 130 31878	1N4003G
6256	4822 130 30621	1N4148
6257	4822 130 30621	1N4148
6258	4822 130 34173	BZX79-B5V6
6259	4822 130 34278	BZX79-C6V8
6260	4822 130 30621	1N4148
6263	4822 130 30621	1N4148

6265	4822 130 34233	BZX79-C5V1
6320	4822 130 30621	1N4148
6321	5322 130 31504	BZX79-C3V3
6322	4822 130 30621	1N4148
6323	4822 130 30621	1N4148
6324	4822 130 34281	BZX79-B15
6332	4822 130 34281	BZX79-B15
6360	4822 130 34281	BZX79-B15

TRANSISTORS & INTEGRATED CIRCUITS

7250	9322 139 23687	BDX53BFP
7251	4822 130 40959	BC547B
7253	4822 130 40959	BC547B
7257	4822 209 31841	L7805CP
7259	4822 130 40981	BC337-25
7260	4822 130 40959	BC547B
7261	4822 130 44568	BC557B
7262	4822 130 40959	BC547B
7263	4822 130 40959	BC547B
7300	4822 130 41246	BC327-25
7320	4822 130 41691	BC556B
7321	4822 130 44461	BC546B
7322	4822 130 44461	BC546B
7323	4822 130 44461	BC546B
7324	4822 130 41691	BC556B
7325	4822 130 44461	BC546B
7326	9322 169 76682	STK412-030
7327	4822 130 41691	BC556B
7328	4822 130 41691	BC556B

Note : Only the parts mentioned in this list are normal service spare parts.

BRIEF INTRODUCTION OF THE AF9 BOARD

The AF9 Board consists of the following features :

a. TDA7468D IC

TDA7468D IC (7501) which includes functions such as source selection, loudness control, dynamic bass control, treble control, volume control and muting function. Sound features such as ALC, DBB, DSC and IS are controllable via I²C Bus from the microprocessor.

The TDA7468D IC caters for 4 input sources namely TUNER, TAPE, CD and AUX. It also has a Mic mix input. In our application, software will switch the input source to previous source MUTE during STANDBY mode and some other occasions where noise from other input source is undesirable.

Note that the input to the TDA7468D IC must be ac coupled to prevent 'pop' noise. Input networks are included to provide appropriate attenuation for various sources.

b. SIMPLE MIC MIXING

The AF9 Board has provisions which can be configured to cater for one of the following:

MM : which caters for Mic mixing with additional Mic amplifier board.

NM : non Mic mixing.

c. DOLBY PRO LOGIC (DPL) INTERFACE

The AF9 Board has provisions which can be configured to cater for DPL.

d. LINE OUT

Line out cinch socket for connection to external amplifier.

e. SUB-WOOFER OUT

Sub-woofer out cinch socket for connection to active sub-woofer speaker.

f. INCREDIBLE SURROUND

Incredible surround effect using transistor circuit to create phase shifting and spatial effect.

g. HEADPHONE AMPLIFIER

Headphone amplifier to drive 32 ohm to 1kohm headphone.

h. CD STANDBY CONTROL

CD Standby Control circuit which switches on the supply to CD servo control IC, digital out buffer IC, HF circuit and the laser light pen in CD mode only.

i. ATTENUATION NETWORK

Attenuation network is provided at the output of the AF9 Board for interfacing with power board of different output power.

j. CD DIGITAL OUT

CD Digital out cinch socket for connection to external digital audio decoders.

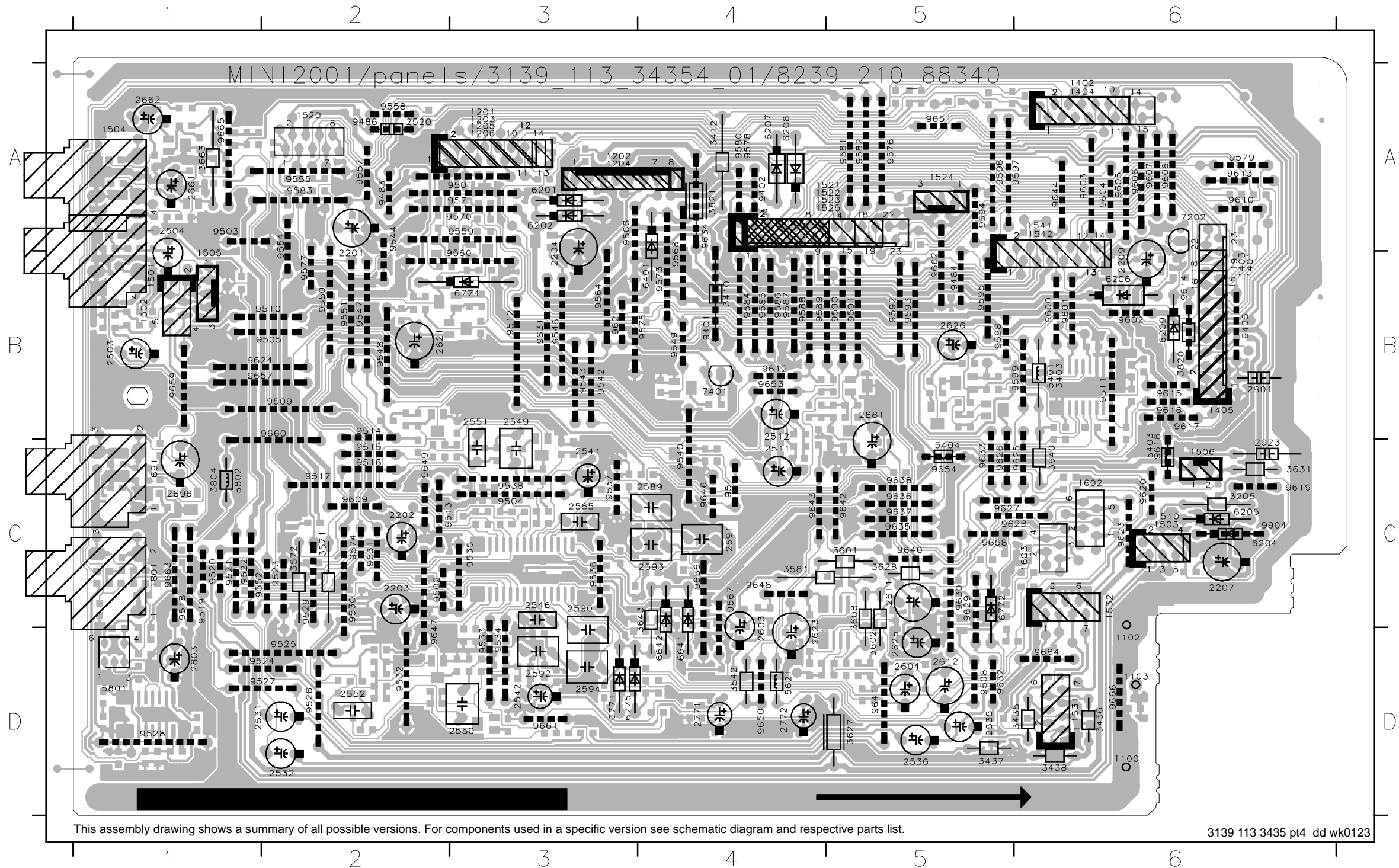
AF9 BOARD

TABLE OF CONTENTS

Brief Introduction of the AF9 Board	12-1
AF9 Board - Component layout	12-2
AF9 Board - Chip layout	12-3
AF9 Board - Circuit Diagram (Part 1)	12-4
AF9 Board - Circuit Diagram (Part 2)	12-5
AF9 Board - Circuit Diagram (Part 3)	12-6
Video Out Cinch part - Layout & Circuit diagram	12-7
Electrical parts list	12-7

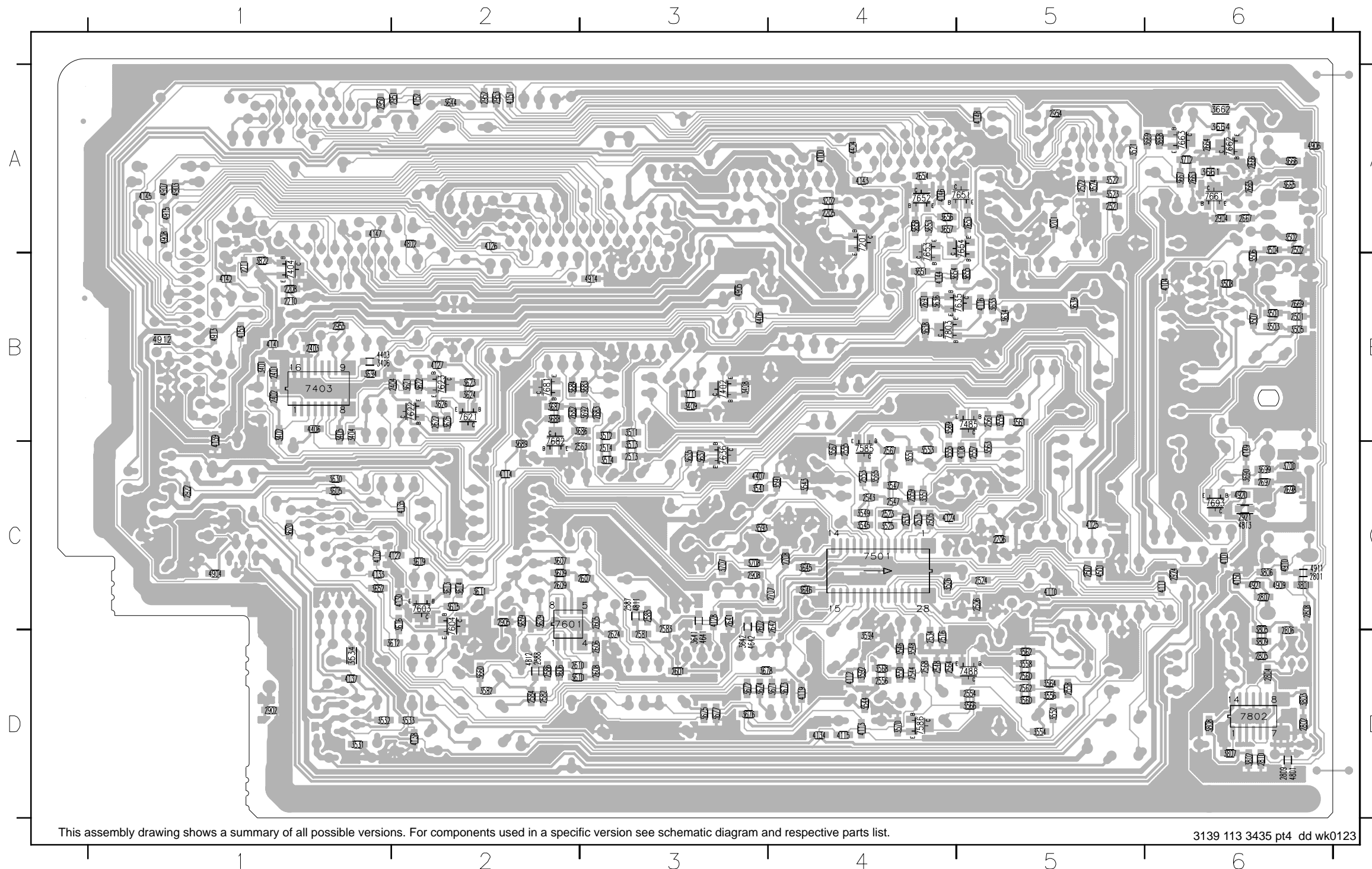
AF9 BOARD - COMPONENT LAYOUT

1100 D6	1503 C6	1603 C6	2535 D5	2603 D4	2923 C6	3627 D5	6202 A3	9401 B4	9513 C2	9529 C2	9547 B2	9570 A3	9587 B4	9603 A6	9620 C6	9637 C5	9657 B1
1102 D6	1504 A1	1691 C1	2536 D5	2604 D5	3205 C6	3628 C5	6204 C6	9402 A4	9514 B2	9530 C2	9548 B2	9571 A3	9588 B4	9604 A6	9621 B3	9638 C5	9658 C5
1103 D6	1505 B1	1801 C1	2541 C3	2611 C5	3403 B6	3631 C6	6205 C6	9405 B6	9515 C2	9531 C2	9549 B4	9573 B4	9589 B4	9605 A6	9623 C6	9640 C5	9659 B1
1201 A3	1506 C6	2201 B2	2542 D3	2612 D5	3410 B4	3640 C6	6206 B6	9483 A2	9516 C2	9532 D2	9550 B2	9574 C2	9590 B5	9606 A6	9624 B1	9641 D5	9660 B2
1202 A3	1510 C6	2202 C2	2546 C3	2621 B2	3412 A4	3643 C4	6207 A4	9484 B5	9517 C2	9533 D3	9551 B2	9575 B4	9591 B5	9607 A6	9625 C6	9642 C5	9661 D3
1203 A3	1520 A2	2203 C2	2549 B3	2623 D4	3435 D6	3663 A1	6208 A4	9486 A2	9518 C1	9534 D3	9552 C1	9576 A5	9592 B5	9608 A6	9626 C5	9643 C4	9662 B5
1204 A3	1521 A5	2204 B3	2550 D3	2625 D5	3436 D6	3804 C1	6209 B6	9501 A3	9519 C1	9535 C3	9554 A2	9577 B2	9593 B5	9609 C2	9627 C5	9644 A6	9663 C1
1205 A3	1522 A5	2207 C6	2551 B3	2626 B5	3437 D5	3820 B6	6401 B4	9502 C1	9520 C1	9536 C3	9555 A2	9578 A4	9594 A5	9610 A6	9628 C5	9646 C4	9664 D6
1206 A3	1523 A5	2209 B6	2552 D2	2661 A1	3438 D6	3821 A4	6641 D4	9503 A1	9521 C1	9537 C3	9557 A2	9579 A6	9595 B5	9612 B4	9629 C5	9647 D2	9665 A1
1401 B6	1524 A5	2503 B1	2565 C3	2662 A1	3542 D4	5401 B6	6642 D4	9504 C3	9522 C1	9538 C3	9558 A2	9580 A4	9596 A5	9613 A6	9630 C5	9648 C4	9666 D6
1402 A6	1525 A5	2504 A1	2589 C4	2681 B5	3571 C2	5403 C6	6771 D3	9505 B2	9523 C2	9540 C4	9559 A3	9581 A5	9597 A6	9614 B6	9631 B3	9649 C2	9904 C6
1403 B6	1531 D6	2511 C4	2590 C3	2696 C1	3572 C2	5404 C5	6772 C5	9508 D5	9524 D2	9541 C4	9560 B3	9582 A5	9598 B5	9615 B6	9632 D5	9650 D4	
1404 A6	1532 C6	2512 B4	2591 C4	2771 D4	3581 C4	5621 D4	6774 B3	9509 B2	9525 D2	9542 B3	9564 B3	9583 A2	9599 B6	9616 B6	9633 C5	9651 A5	
1405 B6	1541 A6	2520 A2	2592 D3	2772 D4	3601 C5	5801 D1	6775 D3	9510 B2	9526 D2	9543 B3	9566 A3	9584 B4	9600 B6	9617 B6	9634 A4	9653 B4	
1501 B1	1542 A6	2531 D1	2593 C4	2803 D1	3602 D5	5802 C1	7202 A6	9511 B6	9527 D2	9544 A2	9567 C4	9585 B4	9601 B6	9618 C6	9635 C5	9654 C5	
1502 B1	1602 C6	2532 D2	2594 D3	2901 B6	3608 C5	6201 A3	7401 B4	9512 B3	9528 D1	9546 B3	9568 B4	9586 B4	9602 B6	9619 C6	9636 C5	9656 C4	



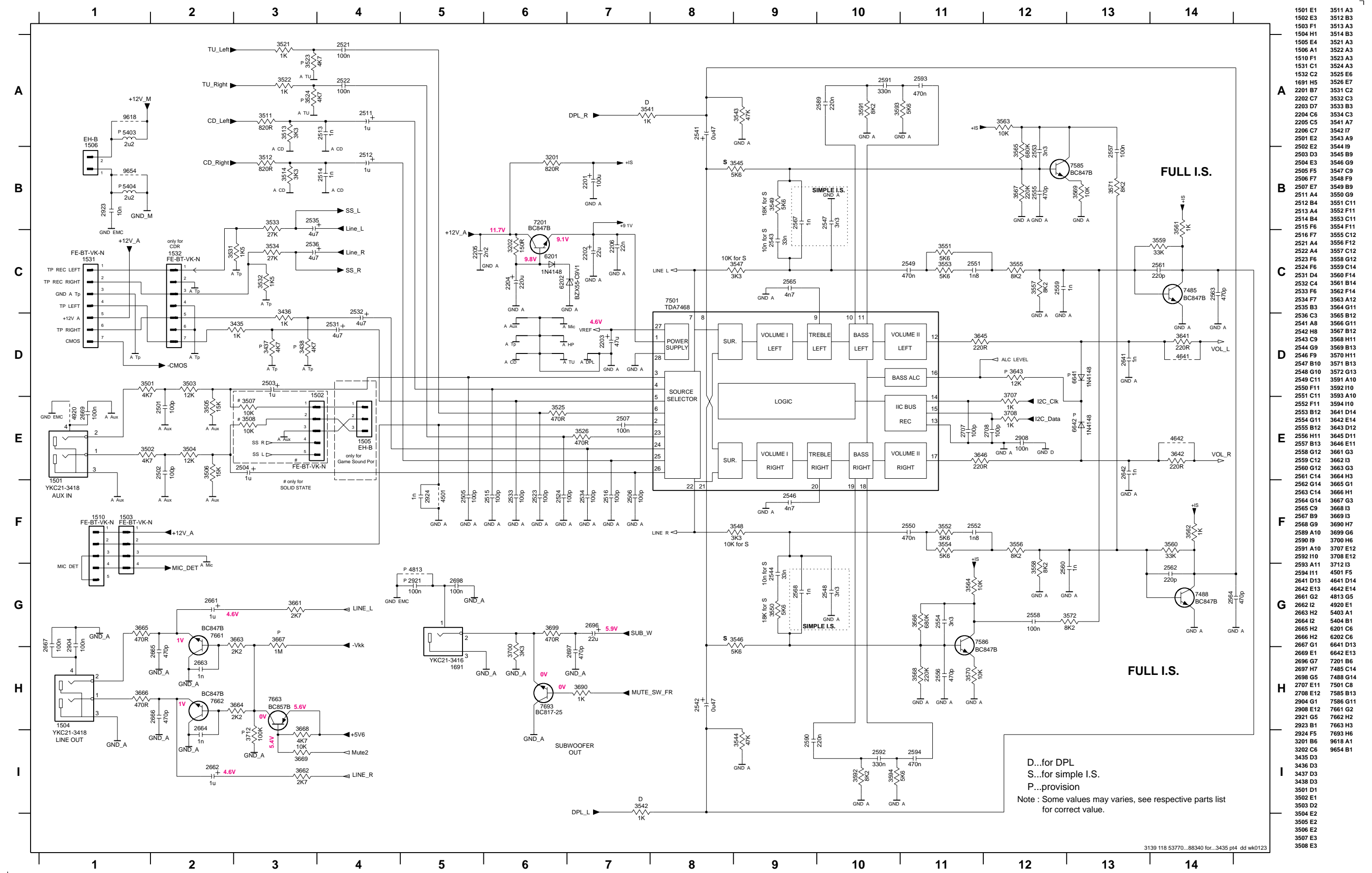
AF9 BOARD - CHIP LAYOUT

2205 A4	2523 C4	2567 C4	2641 C3	2805 D6	3202 A4	3521 A5	3552 D5	3591 C4	3624 B2	3654 B4	3676 D3	3803 D6	4124 C4	4148 A5	4904 C1	7501 C4	7693 C6
2206 C5	2524 C5	2568 D4	2642 C4	2806 D6	3401 B1	3522 A5	3553 C4	3592 D4	3625 B2	3655 B5	3677 D3	3805 C6	4125 C5	4149 C6	4905 B3	7585 C4	7802 D6
2208 B1	2533 C4	2581 D3	2653 A5	2807 C6	3402 B1	3523 A5	3554 D5	3593 C3	3626 B2	3656 A4	3678 D3	3806 C6	4126 A2	4150 C6	4906 A6	7586 D4	7803 B4
2210 B1	2534 D4	2582 D2	2654 A4	2808 C6	3404 B1	3524 A5	3555 C4	3594 D4	3629 C2	3657 A4	3683 B3	3807 D6	4127 B2	4151 A2	4907 A1	7601 C2	
2211 B1	2543 C4	2583 C3	2663 A6	2809 D6	3405 B1	3525 C4	3556 D5	3605 C1	3630 C1	3658 A4	3684 B2	3808 D6	4128 C3	4152 A2	4908 A1	7603 C2	
2401 B1	2544 D4	2584 D2	2664 A6	2810 D6	3406 B1	3526 C4	3557 C4	3606 D2	3633 B5	3659 C2	3686 B3	3809 D6	4130 C2	4153 B1	4909 C6	7604 C2	
2402 B1	2547 C4	2585 C3	2665 A6	2902 D1	3408 B3	3531 D1	3558 D5	3607 C2	3634 B5	3660 D2	3687 B2	3822 B1	4132 C1	4403 B1	4910 C6	7621 B2	
2403 B1	2548 D4	2586 D2	2666 A6	2904 A6	3409 B3	3532 D1	3559 B5	3609 C2	3635 C3	3661 A6	3688 B2	4100 A4	4133 C1	4404 A4	4911 C6	7622 B2	
2404 B2	2553 C4	2587 C3	2667 A6	2905 C2	3501 B6	3533 D2	3560 D5	3610 D2	3636 B4	3662 A6	3689 C2	4101 C6	4134 D4	4405 B3	4912 B1	7623 B2	
2501 B6	2554 D5	2588 D2	2669 B6	2908 C3	3502 A6	3534 D1	3561 B5	3611 C2	3637 C3	3664 A6	3690 C6	4104 B6	4135 C2	4406 B1	4913 B1	7635 B5	
2502 A6	2555 C4	2601 D3	2682 B2	2921 C6	3503 B6	3541 C3	3562 D5	3612 D2	3638 B4	3665 A6	3692 B3	4108 C5	4137 D1	4407 C3	4914 B3	7636 C3	
2505 C4	2556 D4	2602 C3	2683 B3	2922 C1	3504 A6	3543 C4	3563 C5	3613 C2	3639 B5	3666 A6	3694 B1	4110 C5	4138 D2	4501 C5	4915 A1	7651 A5	
2506 C5	2557 C5	2605 C3	2691 B4	2924 C6	3505 B6	3544 D4	3564 D5	3614 C2	3641 D3	3667 A6	3699 C6	4111 C6	4139 B1	4641 D3	4920 C6	7652 A4	
2507 C5	2558 D5	2606 D3	2697 C6	2950 A1	3506 B6	3545 C4	3565 C4	3615 C2	3642 D3	3668 A6	3700 C6	4112 D4	4141 B1	4642 D3	4921 C6	7653 A4	
2513 C3	2559 C4	2607 C3	2698 C6	2951 A2	3507 B6	3546 D4	3566 D5	3616 C2	3644 A2	3669 A6	3707 C3	4113 D4	4142 B1	4801 D6	7201 A4	7654 A5	
2514 C3	2560 D5	2608 D3	2707 C4	2952 A2	3508 B6	3547 C4	3567 C4	3619 C2	3645 C4	3671 D4	3708 C3	4114 C2	4143 A4	4802 A2	7402 B3	7661 A6	
2515 C4	2561 B5	2609 C2	2708 C4	2953 A2	3511 B3	3548 D4	3568 D4	3620 C1	3646 C4	3672 D3	3711 B3	4115 D4	4144 B4	4811 C3	7403 B1	7662 A6	
2516 D4	2562 D5	2610 D2	2801 C6	2954 A5	3512 B3	3549 D4	3569 B4	3621 B2	3651 B4	3673 D4	3712 A6	4116 B5	4145 A1	4812 D2	7404 B1	7663 A6	
2521 A5	2563 C3	2622 B2	2802 D6	2955 B1	3513 C3	3550 D4	3570 D4	3622 B2	3652 C1	3674 D3	3801 C6	4119 D4	4146 A4	4813 C6	7485 B5	7681 B2	
2522 A5	2564 D4	2624 D3	2804 D6	3201 A5	3514 C3	3551 C4	3582 D2	3623 B2	3653 A4	3675 D3	3802 D6	4122 C2	4147 A1	4903 A1	7488 D5	7682 B2	



This assembly drawing shows a summary of all possible versions. For components used in a specific version see schematic diagram and respective parts list.

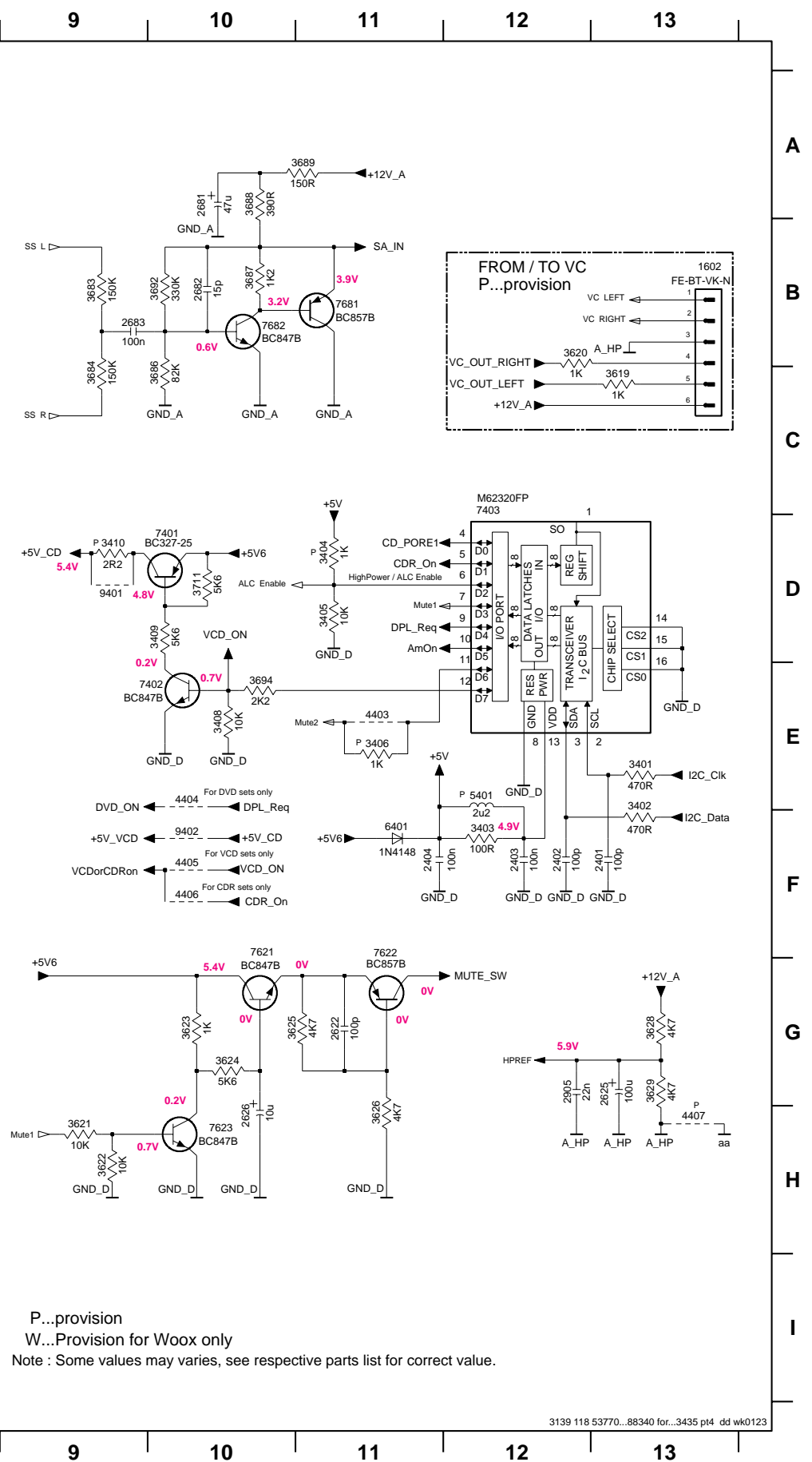
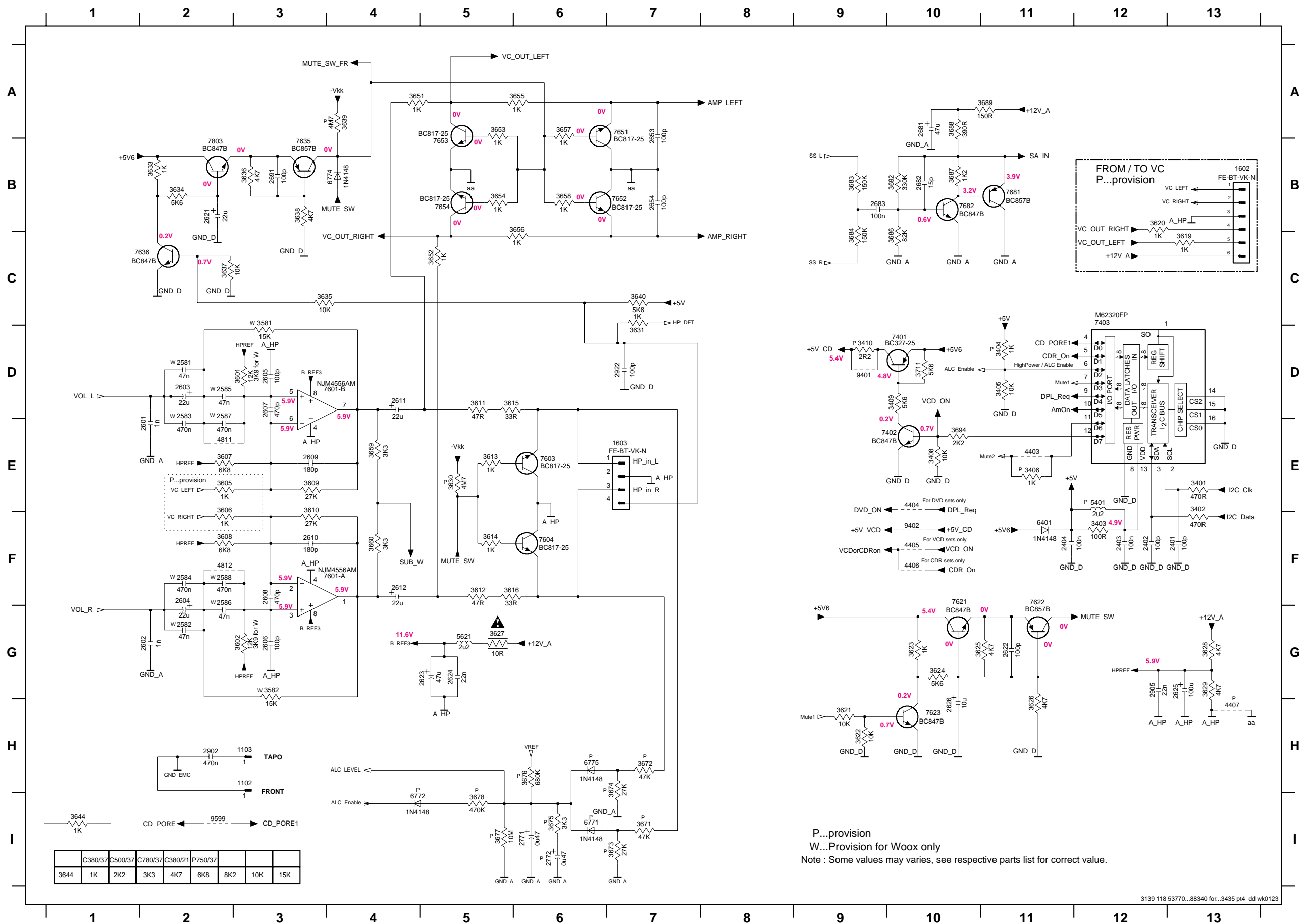
AF9 BOARD - CIRCUIT DIAGRAM (PART 1)



- 1501 E1
- 1502 E3
- 1503 F1
- 1504 H1
- 1505 E4
- 1506 A1
- 1510 F1
- 1531 C1
- 1532 C2
- 1533 C1
- 1534 B3
- 1535 A3
- 1536 A3
- 1537 C2
- 1538 E6
- 1539 H5
- 1540 E7
- 1541 C2
- 1542 C7
- 1543 C3
- 1544 D7
- 1545 B3
- 1546 C6
- 1547 C3
- 1548 C5
- 1549 A7
- 1550 E2
- 1551 A7
- 1552 A9
- 1553 E2
- 1554 I9
- 1555 D3
- 1556 B9
- 1557 E3
- 1558 G9
- 1559 F5
- 1560 C9
- 1561 F7
- 1562 F9
- 1563 E7
- 1564 B9
- 1565 G9
- 1566 F5
- 1567 C9
- 1568 F7
- 1569 F9
- 1570 E7
- 1571 A4
- 1572 G9
- 1573 A4
- 1574 B4
- 1575 F11
- 1576 B4
- 1577 C11
- 1578 F6
- 1579 F11
- 1580 F7
- 1581 C12
- 1582 A4
- 1583 F12
- 1584 A4
- 1585 C12
- 1586 F6
- 1587 G12
- 1588 F6
- 1589 C14
- 1590 D4
- 1591 F14
- 1592 C4
- 1593 B14
- 1594 F6
- 1595 F14
- 1596 F7
- 1597 A12
- 1598 B3
- 1599 G11
- 1600 C3
- 1601 B12
- 1602 A8
- 1603 G11
- 1604 H8
- 1605 B12
- 1606 C9
- 1607 H11
- 1608 G9
- 1609 B13
- 1610 F9
- 1611 H11
- 1612 B10
- 1613 B13
- 1614 G10
- 1615 G13
- 1616 C11
- 1617 A10
- 1618 F11
- 1619 I10
- 1620 C11
- 1621 A10
- 1622 F11
- 1623 I10
- 1624 B12
- 1625 D14
- 1626 G11
- 1627 E14
- 1628 B12
- 1629 D12
- 1630 H11
- 1631 D11
- 1632 B13
- 1633 G11
- 1634 G12
- 1635 G3
- 1636 C12
- 1637 I3
- 1638 C14
- 1639 H3
- 1640 G14
- 1641 G1
- 1642 G3
- 1643 C14
- 1644 H3
- 1645 G14
- 1646 G3
- 1647 B9
- 1648 I3
- 1649 G9
- 1650 H7
- 1651 A10
- 1652 G6
- 1653 I9
- 1654 H6
- 1655 A10
- 1656 E12
- 1657 I10
- 1658 E12
- 1659 A11
- 1660 I3
- 1661 D11
- 1662 D14
- 1663 E13
- 1664 D14
- 1665 G5
- 1666 I2
- 1667 A1
- 1668 H2
- 1669 A1
- 1670 A1
- 1671 C6
- 1672 H2
- 1673 C6
- 1674 D13
- 1675 E1
- 1676 E13
- 1677 G7
- 1678 B6
- 1679 H7
- 1680 C14
- 1681 G5
- 1682 G14
- 1683 G14
- 1684 E11
- 1685 C8
- 1686 E12
- 1687 B13
- 1688 G11
- 1689 G1
- 1690 G11
- 1691 E2
- 1692 G2
- 1693 H2
- 1694 B1
- 1695 H3
- 1696 F5
- 1697 H6
- 1698 B1
- 1699 A1
- 1700 C6
- 1701 D3
- 1702 D3
- 1703 D3
- 1704 D1
- 1705 E1
- 1706 D2
- 1707 E2
- 1708 E2
- 1709 E2
- 1710 E3
- 1711 E3
- 1712 E3
- 1713 E3
- 1714 E3
- 1715 E3
- 1716 E3
- 1717 E3
- 1718 E3
- 1719 E3
- 1720 E3
- 1721 E3
- 1722 E3
- 1723 E3
- 1724 E3
- 1725 E3
- 1726 E3
- 1727 E3
- 1728 E3
- 1729 E3
- 1730 E3
- 1731 E3
- 1732 E3
- 1733 E3
- 1734 E3
- 1735 E3
- 1736 E3
- 1737 E3
- 1738 E3
- 1739 E3
- 1740 E3
- 1741 E3
- 1742 E3
- 1743 E3
- 1744 E3
- 1745 E3
- 1746 E3
- 1747 E3
- 1748 E3
- 1749 E3
- 1750 E3
- 1751 E3
- 1752 E3
- 1753 E3
- 1754 E3
- 1755 E3
- 1756 E3
- 1757 E3
- 1758 E3
- 1759 E3
- 1760 E3
- 1761 E3
- 1762 E3
- 1763 E3
- 1764 E3
- 1765 E3
- 1766 E3
- 1767 E3
- 1768 E3
- 1769 E3
- 1770 E3
- 1771 E3
- 1772 E3
- 1773 E3
- 1774 E3
- 1775 E3
- 1776 E3
- 1777 E3
- 1778 E3
- 1779 E3
- 1780 E3
- 1781 E3
- 1782 E3
- 1783 E3
- 1784 E3
- 1785 E3
- 1786 E3
- 1787 E3
- 1788 E3
- 1789 E3
- 1790 E3
- 1791 E3
- 1792 E3
- 1793 E3
- 1794 E3
- 1795 E3
- 1796 E3
- 1797 E3
- 1798 E3
- 1799 E3
- 1800 E3

D...for DPL
 S...for simple I.S.
 P...provision
 Note : Some values may varies, see respective parts list for correct value.

AF9 BOARD - CIRCUIT DIAGRAM (PART 2)

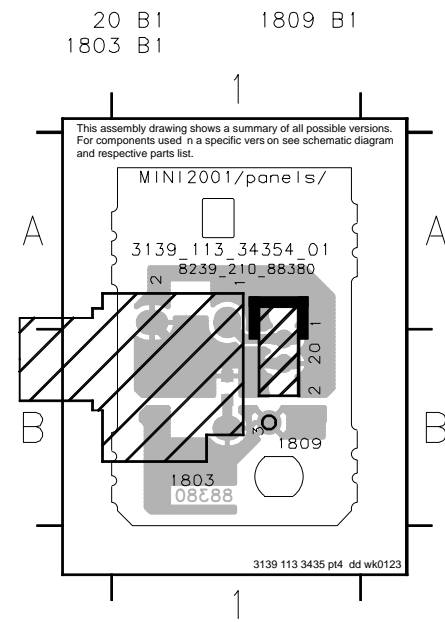


- 1102 H3 3658 B6
- 1103 H3 3659 E4
- 1602 B13 3660 F4
- 1603 E7 3671 I7
- 2401 F13 3672 H7
- 2402 F12 3673 I7
- 2403 F12 3674 H7
- 2404 F11 3675 I6
- 2581 D2 3676 H6
- 2582 G2 3677 I5
- 2583 D2 3678 I5
- 2584 F2 3683 B9
- 2585 D2 3684 C9
- 2586 F2 3686 C10
- 2587 D2 3687 B10
- 2588 F2 3688 A10
- 2601 E2 3689 A11
- 2602 G2 3692 B10
- 2603 D2 3694 E10
- 2604 F2 3711 D10
- 2605 D3 4403 E10
- 2606 G3 4404 E10
- 2607 D3 4405 F10
- 2608 F3 4406 F10
- 2609 E3 4407 H13
- 2610 F3 4811 E2
- 2611 D4 4812 F2
- 2612 F4 5401 E12
- 2621 B2 5621 G5
- 2622 G11 6401 F11
- 2623 G5 6771 I6
- 2624 G5 6772 I4
- 2625 G13 6774 B4
- 2626 H10 6775 H6
- 2653 A7 7401 D10
- 2654 B7 7402 E10
- 2681 A10 7403 C12
- 2682 B10 7601-A G3
- 2683 B9 7601-B D3
- 2691 B3 7603 E6
- 2771 I6 7604 F6
- 2772 I6 7621 F10
- 2902 H2 7622 F11
- 2905 G12 7623 H10
- 2922 D7 7635 B3
- 3401 E13 7636 C2
- 3402 E13 7651 A7
- 3403 F12 7652 B7
- 3404 D11 7653 B5
- 3405 D11 7654 B5
- 3406 E11 7681 B11
- 3408 E10 7682 B10
- 3409 D10 7803 B2
- 3410 D9 9401 D9
- 3581 D3 9402 F10
- 3582 G3 9599 I2
- 3601 D3
- 3602 G3
- 3605 E2
- 3606 F2
- 3607 E2
- 3608 F2
- 3609 E3
- 3610 F3
- 3611 D5
- 3612 F5
- 3613 E5
- 3614 F5
- 3615 D5
- 3616 F5
- 3619 C13
- 3620 B12
- 3621 H9
- 3622 H9
- 3623 G10
- 3624 G10
- 3625 G10
- 3626 H11
- 3627 G5
- 3628 G13
- 3629 G13
- 3630 E5
- 3631 D7
- 3633 B2
- 3634 B2
- 3635 C3
- 3636 B3
- 3637 C2
- 3638 B3
- 3639 A4
- 3640 C7
- 3644 I1
- 3651 A4
- 3652 C5
- 3653 A5
- 3654 B5
- 3655 A6
- 3656 C6
- 3657 A6

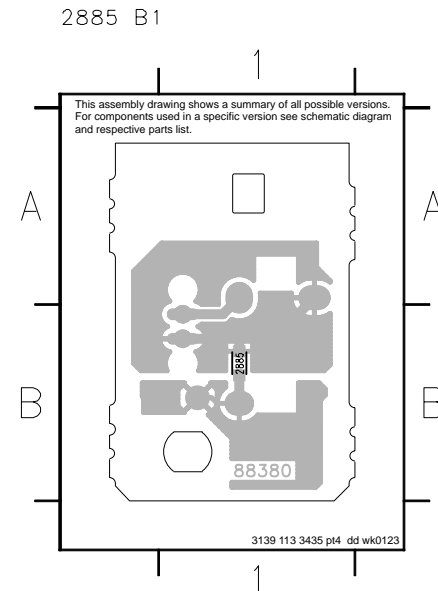
	C380/37	C500/37	C780/37	C380/21	P750/37		
3644	1K	2K2	3K3	4K7	6K8	8K2	10K

P...provision
W...Provision for Woox only
Note : Some values may varies, see respective parts list for correct value.

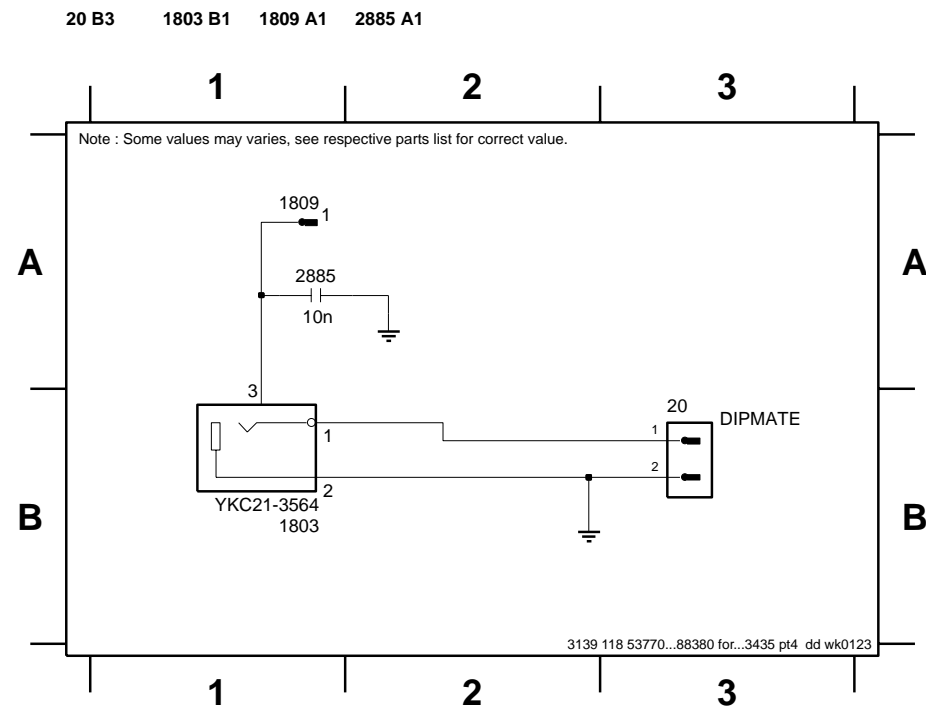
VIDEO OUT CINCH BOARD - COMPONENT LAYOUT



VIDEO OUT CINCH BOARD - CHIP LAYOUT



VIDEO OUT CINCH PART - CIRCUIT DIAGRAM



ELECTRICAL PARTS LIST - AF9 BOARD

MISCELLANEOUS

1206	4822 267 11039	Flex Connector 11P
1401	4822 265 11553	Flex Connector 19P
1402	4822 267 11039	Flex Connector 11P
1501	4822 265 20553	Cinch Socket - Aux in
1504	4822 265 20553	Cinch Socket - Line out
1520	4822 265 11515	Flex Connector 8P
1522	4822 265 11553	Flex Connector 19P
1531	4822 267 10953	Flex Connector 7P

CAPACITORS

1603	4822 267 10733	Flex Connector 4P
1801	4822 267 31729	Cinch Socket - Digital out
2201	4822 124 40207	100uF 20% 25V
2202	4822 124 81151	22uF 50V
2203	4822 124 40433	47uF 20% 25V
2204	4822 124 40196	220uF 20% 16V

ELECTRICAL PARTS LIST - AF9 BOARD

2205	4822 126 14238	2,2nF 50V	2604	4822 124 81151	22uF 50V
2206	4822 126 14494	22nF 10% 25V	2605	4822 122 31765	100pF 2% 63V
2207	4822 124 40433	47uF 20% 25V	2606	4822 122 31765	100pF 2% 63V
2208	4822 126 13879	220nF +80/-20% 16V	2607	4822 126 13881	470pF 5% 50V
2209	4822 124 41751	47uF 20% 50V	2608	4822 126 13881	470pF 5% 50V
2210	4822 126 13879	220nF +80/-20% 16V	2609	4822 126 14508	180pF 5% 50V
2401	4822 122 31765	100pF 2% 63V	2610	4822 126 14508	180pF 5% 50V
2402	4822 122 31765	100pF 2% 63V	2611	4822 124 81151	22uF 50V
2403	4822 126 14305	100nF 10% 16V	2612	4822 124 81151	22uF 50V
2404	4822 126 14305	100nF 10% 16V	2621	4822 124 81151	22uF 50V
2501	4822 122 31765	100pF 2% 63V	2622	4822 122 31765	100pF 2% 63V
2502	4822 122 31765	100pF 2% 63V	2623	4822 124 40433	47uF 20% 25V
2503	4822 124 22466	1uF 20% 50V	2624	3198 017 42230	22nF 50V
2504	4822 124 22466	1uF 20% 50V	2625	4822 124 40207	100uF 20% 25V
2505	4822 122 31765	100pF 2% 63V	2626	4822 124 40248	10uF 20% 63V
2506	4822 122 31765	100pF 2% 63V	2641	3198 016 31020	1nF 25V
2507	4822 126 14305	100nF 10% 16V	2642	3198 016 31020	1nF 25V
2511	4822 124 22466	1uF 20% 50V	2653	4822 122 31765	100pF 2% 63V
2512	4822 124 22466	1uF 20% 50V	2654	4822 122 31765	100pF 2% 63V
2513	3198 016 31020	1nF 25V	2661	4822 124 21913	1uF 20% 63V
2514	3198 016 31020	1nF 25V	2662	4822 124 21913	1uF 20% 63V
2515	4822 122 31765	100pF 2% 63V	2663	3198 016 31020	1nF 25V
2516	4822 122 31765	100pF 2% 63V	2664	3198 016 31020	1nF 25V
2521	4822 126 14305	100nF 10% 16V	2665	4822 126 13881	470pF 5% 50V
2522	4822 126 14305	100nF 10% 16V	2666	4822 126 13881	470pF 5% 50V
2523	4822 122 31765	100pF 2% 63V	2667	4822 126 14305	100nF 10% 16V
2524	4822 122 31765	100pF 2% 63V	2669	4822 126 14305	100nF 10% 16V
2531	4822 124 40769	4,7uF 20% 100V	2681	4822 124 40433	47uF 20% 25V
2532	4822 124 40769	4,7uF 20% 100V	2682	4822 122 33752	15pF 5% 50V
2533	4822 122 31765	100pF 2% 63V	2683	4822 126 14305	100nF 10% 16V
2534	4822 122 31765	100pF 2% 63V	2691	4822 122 31765	100pF 2% 63V
2535	4822 124 40769	4,7uF 20% 100V	2707	4822 122 31765	100pF 2% 63V
2536	4822 124 40769	4,7uF 20% 100V	2708	4822 122 31765	100pF 2% 63V
2541	4822 124 41407	0,47uF 20% 63V	2771	4822 124 41407	0,47uF 20% 63V
2542	4822 124 41407	0,47uF 20% 63V	2801	4822 126 14305	100nF 10% 16V
2543	5322 126 11583	10nF 10% 50V	2802	3198 016 31020	1nF 25V
2544	5322 126 11583	10nF 10% 50V	2803	4822 124 40756	1uF 20% 100V
2546	4822 121 43856	4,7nF 5% 250V	2804	4822 126 14305	100nF 10% 16V
2547	5322 126 11579	3,3nF 10% 63V	2805	4822 126 14305	100nF 10% 16V
2548	5322 126 11579	3,3nF 10% 63V	2806	4822 122 33753	150pF 5% 50V
2565	4822 121 43856	4,7nF 5% 250V	2807	4822 126 14305	100nF 10% 16V
2567	3198 016 31020	1nF 25V	2808	4822 126 14305	100nF 10% 16V
2568	3198 016 31020	1nF 25V	2809	4822 126 14305	100nF 10% 16V
2589	4822 121 42408	220nF 5% 63V	2810	4822 122 33777	47pF 5% 63V
2590	4822 121 42408	220nF 5% 63V	2901	4822 126 12882	100nF +80/-20% 50V
2591	5322 121 42661	330nF 5% 63V	2902	3198 017 44740	470nF 10V
2592	5322 121 42661	330nF 5% 63V	2905	3198 017 42230	22nF 50V
2593	4822 121 51252	470nF 5% 63V	2908	4822 126 14305	100nF 10% 16V
2594	4822 121 51252	470nF 5% 63V	2950	4822 126 13881	470pF 5% 50V
2601	3198 016 31020	1nF 25V	2951	4822 126 13881	470pF 5% 50V
2602	3198 016 31020	1nF 25V	2952	4822 122 31765	100pF 2% 63V
2603	4822 124 81151	22uF 50V	2953	4822 126 13881	470pF 5% 50V

ELECTRICAL PARTS LIST - AF9 BOARD

RESISTORS

3201	4822 117 12968	820R 5% 0,62W	3615	4822 051 30339	33R 5% 0,062W
3202	4822 051 30151	150R 5% 0,062W	3616	4822 051 30339	33R 5% 0,062W
3205	4822 116 52289	5k6 5% 0,5W	3621	4822 051 30103	10k 5% 0,062W
3401	4822 051 30471	470R 5% 0,062W	3622	4822 051 30103	10k 5% 0,062W
3402	4822 051 30471	470R 5% 0,062W	3623	4822 051 30102	1k 5% 0,062W
3403	4822 116 52175	100R 5% 0,5W	3624	4822 051 30562	5k6 5% 0,063W
3405	4822 051 30103	10k 5% 0,062W	3625	4822 051 30472	4k7 5% 0,062W
3408	4822 051 30103	10k 5% 0,062W	3626	4822 051 30472	4k7 5% 0,062W
3409	4822 051 30562	5k6 5% 0,063W	3627	4822 052 10109	△ 10R 5% 0,33W
3412	4822 050 11002	1k 1% 0,4W	3628	4822 116 52283	4k7 5% 0,5W
3435	4822 050 11002	1k 1% 0,4W	3629	4822 051 30472	4k7 5% 0,062W
3436	4822 050 11002	1k 1% 0,4W	3631	4822 050 11002	1k 1% 0,4W
3501	4822 051 30472	4k7 5% 0,062W	3633	4822 051 30102	1k 5% 0,062W
3502	4822 051 30472	4k7 5% 0,062W	3634	4822 051 30562	5k6 5% 0,063W
3503	4822 051 30123	12k 5% 0,062W	3635	4822 051 30103	10k 5% 0,062W
3504	4822 051 30123	12k 5% 0,062W	3636	4822 051 30472	4k7 5% 0,062W
3505	4822 051 30153	15k 5% 0,062W	3637	4822 051 30103	10k 5% 0,062W
3506	4822 051 30153	15k 5% 0,062W	3638	4822 051 30472	4k7 5% 0,062W
3511	4822 117 12968	820R 5% 0,62W	3640	4822 116 52289	5k6 5% 0,5W
3512	4822 117 12968	820R 5% 0,62W	3644	4822 051 30332	3k3 5% 0,062W
3513	4822 051 30332	3k3 5% 0,062W	3645	4822 051 30221	220R 5% 0,062W
3514	4822 051 30332	3k3 5% 0,062W	3646	4822 051 30221	220R 5% 0,062W
3521	4822 051 30102	1k 5% 0,062W	3651	4822 051 30102	1k 5% 0,062W
3522	4822 051 30102	1k 5% 0,062W	3652	4822 051 30102	1k 5% 0,062W
3525	4822 051 30471	470R 5% 0,062W	3653	4822 051 30102	1k 5% 0,062W
3526	4822 051 30471	470R 5% 0,062W	3654	4822 051 30102	1k 5% 0,062W
3531	4822 051 30152	1k5 5% 0,062W	3655	4822 051 30102	1k 5% 0,062W
3532	4822 051 30152	1k5 5% 0,062W	3656	4822 051 30102	1k 5% 0,062W
3533	4822 051 30273	27k 5% 0,062W	3657	4822 051 30102	1k 5% 0,062W
3534	4822 051 30273	27k 5% 0,062W	3658	4822 051 30102	1k 5% 0,062W
3543	4822 117 12925	47k 1% 0,063W	3661	4822 051 30272	2k7 5% 0,062W
3544	4822 117 12925	47k 1% 0,063W	3662	4822 051 30272	2k7 5% 0,062W
3545	4822 051 30562	5k6 5% 0,063W	3663	4822 116 52256	2k2 5% 0,5W
3546	4822 051 30562	5k6 5% 0,063W	3664	4822 051 30222	2k2 5% 0,062W
3547	4822 051 30103	10k 5% 0,062W	3665	4822 051 30471	470R 5% 0,062W
3548	4822 051 30103	10k 5% 0,062W	3666	4822 051 30471	470R 5% 0,062W
3549	4822 051 30183	18k 5% 0,062W	3668	4822 051 30472	4k7 5% 0,062W
3550	4822 051 30183	18k 5% 0,062W	3669	4822 051 30103	10k 5% 0,062W
3591	4822 117 12902	8k2 1% 0,063W	3683	4822 051 30154	150k 5% 0,062W
3592	4822 117 12902	8k2 1% 0,063W	3684	4822 051 30154	150k 5% 0,062W
3593	4822 051 30562	5k6 5% 0,063W	3686	4822 117 12864	82k 5% 0,6W
3594	4822 051 30562	5k6 5% 0,063W	3687	4822 117 11817	1k2 1% 1/16W
3601	4822 116 52238	12k 5% 0,5W	3688	4822 051 30391	390R 5% 0,062W
3602	4822 116 52238	12k 5% 0,5W	3689	4822 051 30151	150R 5% 0,062W
3607	4822 051 30682	6k8 5% 0,062W	3692	4822 051 30334	330k 5% 0,062W
3608	4822 116 83961	6k8 5%	3694	4822 051 30222	2k2 5% 0,062W
3609	4822 051 30273	27k 5% 0,062W	3707	4822 051 30102	1k 5% 0,062W
3610	4822 051 30273	27k 5% 0,062W	3708	4822 051 30102	1k 5% 0,062W
3611	4822 051 30479	47R 5% 0,062W	3711	4822 051 30562	5k6 5% 0,063W
3612	4822 051 30479	47R 5% 0,062W	3801	4822 051 30471	470R 5% 0,062W
3613	4822 051 30102	1k 5% 0,062W	3802	4822 051 30223	22k 5% 0,062W
3614	4822 051 30102	1k 5% 0,062W	3803	4822 051 30561	560R 5% 0,062W

ELECTRICAL PARTS LIST - AF9 BOARD

3804	4822 116 83872	220R 5% 0,5W
3805	4822 051 30221	220R 5% 0,062W
3807	4822 051 30222	2k2 5% 0,062W
3808	4822 051 30223	22k 5% 0,062W
3809	4822 051 30479	47R 5% 0,062W
3820	4822 116 52176	10R 5% 0,5W
3821	4822 052 10109	△ 10R 5% 0,33W
4100	4822 051 30008	OR Jumper 0603
4101	4822 051 30008	OR Jumper 0603
4104	4822 051 30008	OR Jumper 0603
4108	4822 051 30008	OR Jumper 0603
4110	4822 051 30008	OR Jumper 0603
4111	4822 051 30008	OR Jumper 0603
4112	4822 051 30008	OR Jumper 0603
4113	4822 051 30008	OR Jumper 0603
4114	4822 051 30008	OR Jumper 0603
4115	4822 051 30008	OR Jumper 0603
4116	4822 051 30008	OR Jumper 0603
4119	4822 051 30008	OR Jumper 0603
4122	4822 051 30008	OR Jumper 0603
4124	4822 051 30008	OR Jumper 0603
4125	4822 051 30008	OR Jumper 0603
4126	4822 051 30008	OR Jumper 0603
4127	4822 051 30008	OR Jumper 0603
4128	4822 051 30008	OR Jumper 0603
4130	4822 051 30008	OR Jumper 0603
4132	4822 051 30008	OR Jumper 0603
4133	4822 051 30008	OR Jumper 0603
4134	4822 051 30008	OR Jumper 0603
4135	4822 051 30008	OR Jumper 0603
4137	4822 051 30008	OR Jumper 0603
4138	4822 051 30008	OR Jumper 0603
4139	4822 051 30008	OR Jumper 0603
4141	4822 051 30008	OR Jumper 0603
4142	4822 051 30008	OR Jumper 0603
4143	4822 051 30008	OR Jumper 0603
4144	4822 051 30008	OR Jumper 0603
4145	4822 051 30008	OR Jumper 0603
4146	4822 051 30008	OR Jumper 0603
4147	4822 051 30008	OR Jumper 0603
4148	4822 051 30008	OR Jumper 0603
4150	4822 051 30008	OR Jumper 0603
4151	4822 051 30008	OR Jumper 0603
4152	4822 051 30008	OR Jumper 0603
4153	4822 051 30008	OR Jumper 0603
4403	4822 051 30008	OR Jumper 0603
4501	4822 051 30008	OR Jumper 0603
4641	4822 051 30008	OR Jumper 0603
4642	4822 051 30008	OR Jumper 0603
4811	4822 051 30008	OR Jumper 0603
4812	4822 051 30008	OR Jumper 0603
4903	4822 051 30008	OR Jumper 0603

4904	4822 051 30008	OR Jumper 0603
4908	4822 051 30008	OR Jumper 0603
4913	4822 051 30008	OR Jumper 0603
4921	4822 051 30008	OR Jumper 0603

COILS & FILTERS

5621	4822 157 62552	Coil 2,2uH 5%
5801	2422 536 00019	Transformer 6RG

DIODES

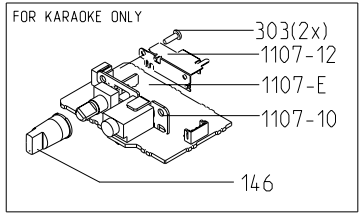
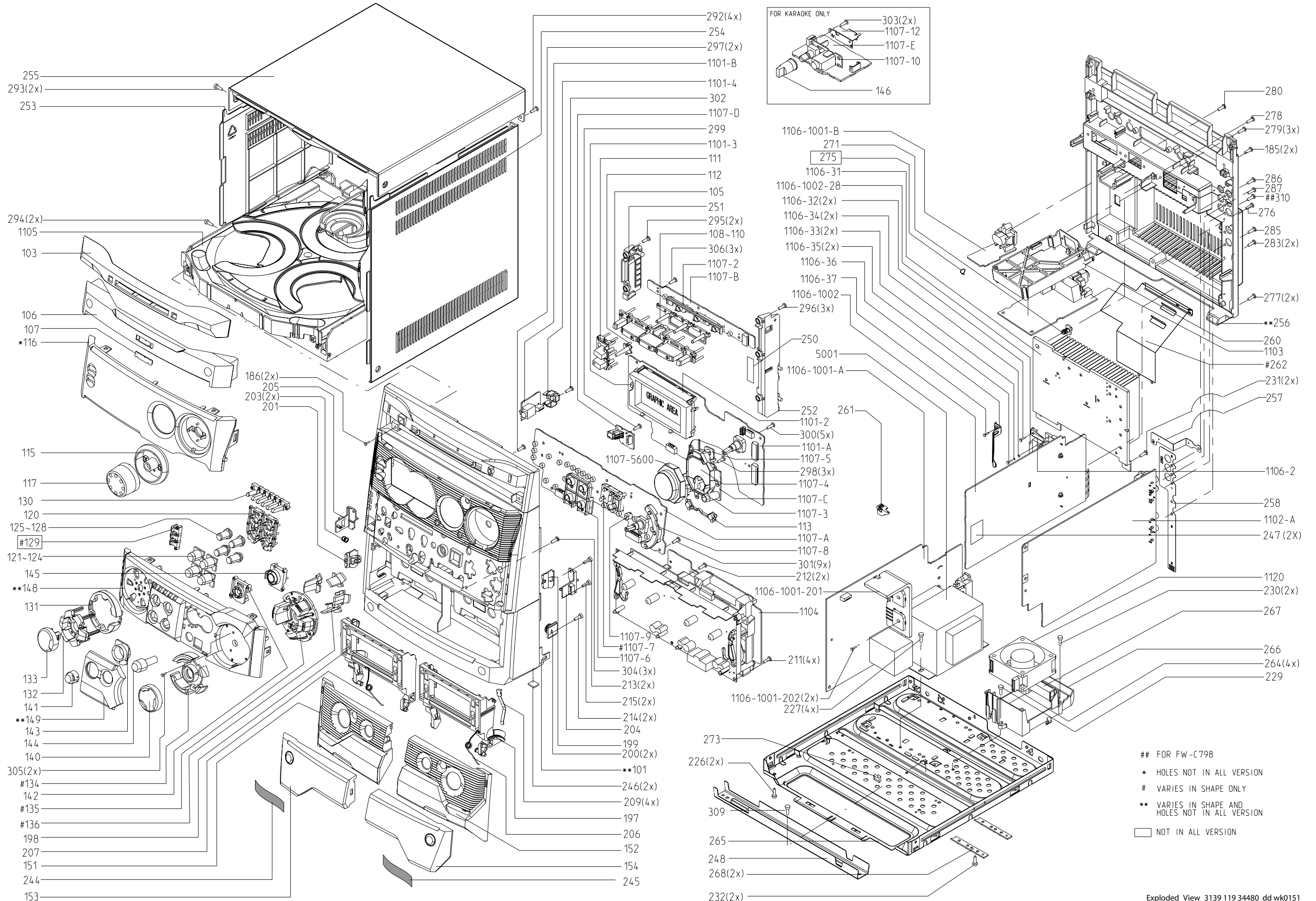
6201	4822 130 30621	1N4148
6202	4822 130 30862	BZX55-C9V1
6205	4822 130 61219	BZX79-C10
6206	4822 130 31878	1N4003G
6207	4822 130 31878	1N4003G
6208	4822 130 31878	1N4003G
6401	4822 130 30621	1N4148
6774	4822 130 30621	1N4148

TRANSISTORS & INTEGRATED CIRCUITS

7201	4822 130 60511	BC847B
7202	4822 209 72042	MC78L05ACP
7401	4822 130 41246	BC327-25
7402	4822 130 60511	BC847B
7403	4822 209 17345	M62320FP
7501	9322 150 74668	TDA7468D
7601	4822 209 31378	NJM4556AM
7603	4822 130 42804	BC817-25
7604	4822 130 42804	BC817-25
7621	4822 130 60511	BC847B
7622	4822 130 60373	BC857B
7623	4822 130 60511	BC847B
7635	4822 130 60373	BC857B
7636	4822 130 60511	BC847B
7651	4822 130 42804	BC817-25
7652	4822 130 42804	BC817-25
7653	4822 130 42804	BC817-25
7654	4822 130 42804	BC817-25
7661	4822 130 60511	BC847B
7662	4822 130 60511	BC847B
7663	4822 130 60373	BC857B
7681	4822 130 60373	BC857B
7682	4822 130 60511	BC847B
7802	4822 209 17235	74LVU04D
7803	4822 130 60511	BC847B

Note : Only the parts mentioned in this list are normal service spare parts.

SET MECHANICAL EXPLODED VIEW



FOR FW-C798
 * HOLES NOT IN ALL VERSION
 # VARIES IN SHAPE ONLY
 ** VARIES IN SHAPE AND HOLES NOT IN ALL VERSION
 □ NOT IN ALL VERSION

MECHANICAL & ACCESSORIES PARTS LIST - MAIN UNIT**SCREW LISTS - MAIN UNIT**

0101	3139 118 16770	Cabinet Front	/21/21M	0206	3139 111 01380	Spring Torsion Right	185	D3 x 12	
0101	3139 118 17310	Cabinet Front	/37	0207	3139 111 01390	Spring Torsion Left	186	D3 x 12	
0103	3139 118 14320	Window CDC		0209	4822 492 42787	Spring Cassette	211	D3 x 12	
0105	3139 118 16820	Button Set CDC		0246	4822 462 40683	Foot Rubber (SQ)	212	D3 x 12	
0106	3139 118 14340	Cover Tray CDC		0251	3139 114 72750	Bracket CDC Left	213	D3 x 12	
0107	4822 454 13408	Badge Philips		0252	3139 114 72760	Bracket CDC Right	214	M3 x 12	
0111	3139 118 14350	Button Standby/Eco Power		0253	3139 114 73570	Panel Left	/21/21M	215	M3 x 12
0115	3139 118 14370	Cover Ring Volume/VU Chrome		0253	3139 114 74780	Panel Left V2	/37	226	M3 x 6
0116	3139 118 16760	Window Display		0254	3139 114 73580	Panel Right	/21/21M	227	M3 x 10
0117	3139 118 16840	Knob Volume Gloss Black		0254	3139 114 74790	Panel Right V2	/37	229	M3 x 10
0120	3139 114 72360	Frame Button Set Source Select		0255	3139 114 73590	Cover Top	/21/21M	230	D3 x 10
0121	3139 118 14390	Button Cap Source-CD		0255	3139 114 74800	Cover Top V2	/37	231	M3 x 6
0122	3139 118 14400	Button Cap Source-Tuner		0256	3139 114 72790	Panel Rear	/21/21M	232	M3 x 6
0123	3139 118 14410	Button Cap Source-Tape		0256	3139 114 74830	Panel Rear V2	/37	276	M3 x 6
0124	3139 118 14420	Button Cap Source-Aux		0271	3139 114 71010	Stopper Heatsink		277	M3 x 10
0125	3139 114 72410	Lightguide Source-CD		0350	3139 118 79800	L/R Loudspeaker Box	/21/21M	278	D3 x 16
0126	3139 114 72420	Lightguide Source-Tuner		0350	3139 118 79810	L/R Loudspeaker Box	/37	279	D3 x 12
0127	3139 114 72430	Lightguide Source-Tape		0351	4822 303 50063	FM Aerial	/21/21M	280	D3 x 12
0128	3139 114 72440	Lightguide Source-Aux		0351	4822 320 11094	FM Antenna	/37	283	D3 x 12
0130	3139 118 14440	Button Prog/Time-Disp		0356	3139 228 87110	Remote Control		285	D3 x 12
0131	3139 118 16850	Cover Ring Func Control		0384	2422 549 45067	Antenna AM Loop		286	D3 x 12
0132	3139 118 15460	Button Set Func Control		0385	2422 070 98151	△ Mains Cord	/21/21M	287	D3 x 12
0133	3139 118 14470	Cap Function Control		0385	2422 070 98152	△ Mains Cord	/37	292	M3 x 12
0134	3139 118 14820	Cover Ring DSC/VAC/IS		0386	4822 263 21092	△ Adaptor Plug 6A 250V	/21	293	M3 x 12
0135	3139 118 16830	Button DSC/VAC/IS		0387	3139 115 21170	Instruction For Use	/21/21M	294	M3 x 10
0140	3139 118 14500	Knob Jog Rotary		0387	3139 115 21180	Instruction For Use	/37	295	D3 x 12
0141	3139 118 14780	Button WOOX Plus Chrome		1120	4822 361 11161	Fan KD1206PTS3		296	D3 x 12
0142	3139 114 72470	Frame Button Set WOOX		1202	3139 110 35350	FFC Foil 11P/220/11P AD		297	D2 x 8
0144	3139 118 14790	Knob Rotary WOOX Chrome		1203	3139 110 35010	FFC Foil 07P/340/07P AD		298	D3 x 10
0145	3139 114 72500	Guide Rotary WOOX		1401	3139 110 34970	FFC Foil 19P/180/19P AD		299	D3 x 10
0148	3139 118 16780	Cover Orn Control	/21/21M	1402	3139 110 34610	FFC Foil 11P/180/11P AD		300	D3 x 12
0148	3139 118 17320	Cover Orn Control	/37	1403	3139 110 35130	FFC Foil 06P/180/06P AD		301	D3 x 12
0149	3139 118 16790	Cover Control WOOX		1404	3139 110 34990	FFC Foil 12P/120/12P AD		302	D3 x 12
0151	3139 118 16800	Cover Cassette Left		1405	3139 110 35000	FFC Foil 08P/120/08P AD		304	D3 x 12
0152	3139 118 16810	Cover Cassette Right		1406	4822 320 12752	FFC Foil 07P/180/07P AD		305	D2 x 8
0153	3139 114 74910	Lens Cassette Left		1407	3139 110 34010	FFC Foil 06P/140/06P AD		306	D3 x 12
0154	3139 114 74920	Lens Cassette Right		1501	3139 110 35120	FFC Foil 04P/400/04P BD		309	M3 x 6
0197	3139 114 68630	Door Cassette Right		1503	3139 110 34800	FFC Foil 19P/180/19P BD			
0198	3139 114 68620	Door Cassette Left		1601	3139 110 35050	FFC Foil 08P/220/08P AD			
0199	4822 402 10621	Push-Catch		1702	4822 320 12654	FFC Foil 07P/220/07P AD			
0200	4822 529 10322	Damper Assembly		5001	3139 118 32580	△ Mains Transformer	/21/21M		
0201	3139 114 68640	Push Catch Left		5001	3139 118 32560	△ Mains transformer	/37		
0203	4822 492 11344	Spring Compression							
0204	4822 402 11246	Bracket Right							
0205	4822 402 11245	Bracket Left							

Note : Only the parts mentioned in this list are normal service spare parts.